


Heavy Load Slide Rails (Load Rating: 355N–1120N/2 pcs)

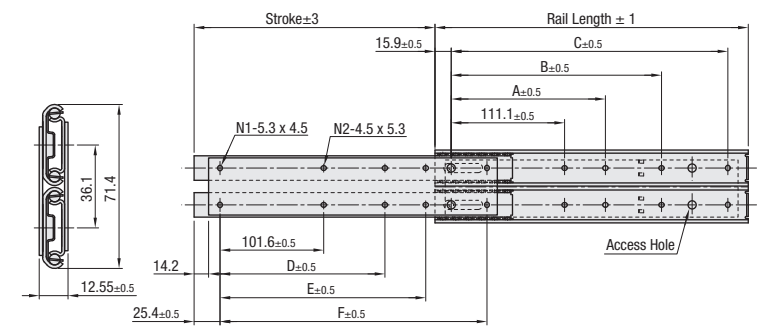
Two-Step Stainless Steel Telescopic Rails

Heavy Load – Two-Step Stainless Steel Telescopic Rails




RoHS 10

SSRRH36 Load Rating: 784 ~ 1120 N/2 pcs Rail Disassembly: **Not Possible**



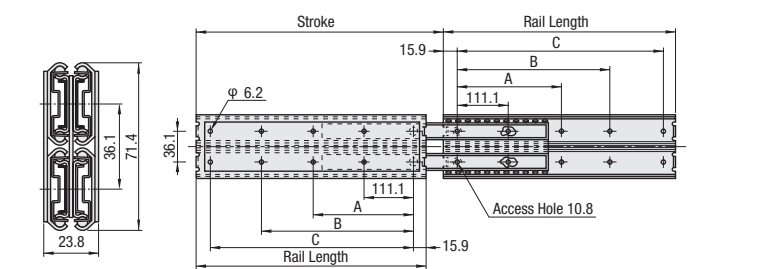
Material: Rail 304 Stainless Steel
Ball 440C Stainless Steel

Heavy Load – Three-Step Steel Telescoping Rails



RoHS 10

SRRH36



Material: Steel
Surface Treatment: Trivalent Chromate

Part Number	Type	No.	Rail Length		Stroke		A	B	C	D	E	F	Load Rating (N/2 Pcs)	
			SSRRH36	SRRH36	SSRRH36	SRRH36							SSRRH36	SRRH36
SSRRH36		30	304.8	305	227	327	—	149.2	273.0	—	152.8	254.4	1120	2666
		35	355.6	356	278	378	—	200.0	323.8	—	203.6	305.2	1070	2626
		40	406.4	406	303	428	—	250.8	374.6	—	254.4	356.0	1020	2538
		45	457.2	457	354	479	212.7	301.6	425.4	203.2	305.2	406.8	1000	2450
		50	508	508	367	530	238.1	352.4	476.2	228.6	356.0	457.6	971	2362
SRRH36 (Set of 2pcs)		55	558.8	559	430	581	263.5	403.2	527.0	254.0	406.8	508.4	922	2244
		60	609.6	610	456	632	288.9	454.0	577.8	279.4	457.6	559.2	873	2117
		65	660.4	660	468	682	314.3	504.8	628.6	304.8	508.4	610.0	843	1960
	70	711.2	711	506	733	339.7	555.6	679.4	330.2	559.2	660.8	784	1784	

① Use M4 Hex Socket Button Screws (P.2388) or Cross Recessed Pan Head Screws (P.2421) to mount rails.
 ② If top or bottom-mounted, the load rating is 25% of referenced value. ③ Holes No.50 or greater can not be used.

Part Number Example	Part Number
	SSRRH3665
	SRRH3670

Linear Components

Overview

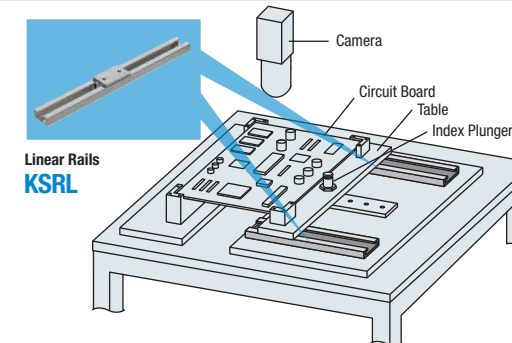
Page	Type	Load Rating (N)	Dimension (mm)			Material			Options	
			Rail Length	Width	Height	Slider	Bearing	Rail	Clamper / Quick Retention	Stoppers
715	PLRH	80	160–1200	42	12	Steel	Stainless Steel	Stainless Steel	Good	Good
716	KSRL	79	70–1030	30 (37)*	16	Aluminum Alloy / Polyacetal	Steel	Aluminum Alloy	Good	Good
717	KSR	380 / 460	70–1030	32 / 33 (38 / 39)*	13 / 16	Stainless Steel	Stainless Steel	Stainless Steel	Good	Good
718	JKSG	49–99	55–760	20–40	10–24	Aluminum Alloy	Steel	Aluminum Alloy	Good	—
719	BJKSG	68 / 147	70–790	30–60	16–28	Steel	Stainless Steel (Balls)	Steel	—	—
720	SROM	28 / 110	90–1040	15 / 25	8 / 10	JIS C3604 Equivalent	Polyacetal (Face Contact)	Aluminum Alloy	—	Good
721	RSR	80 / 150	160–1800	42 / 64	12 / 16.2	Stainless Steel / Steel	Polyacetal / SMF5040 (Rollers)	Aluminum Alloy / Steel	—	Good

* Values in () are dimensions of lock equipped type. (excluding protruding screw)

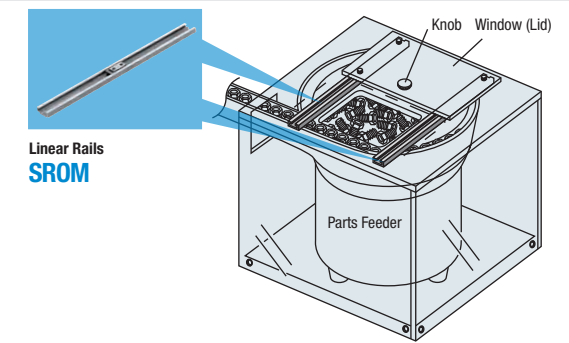
- Features**
- Lightweight and compact design.
 - Clearance is made between the slider and the rail.
 - Suitable for manual operation and non-precise positioning.

Example

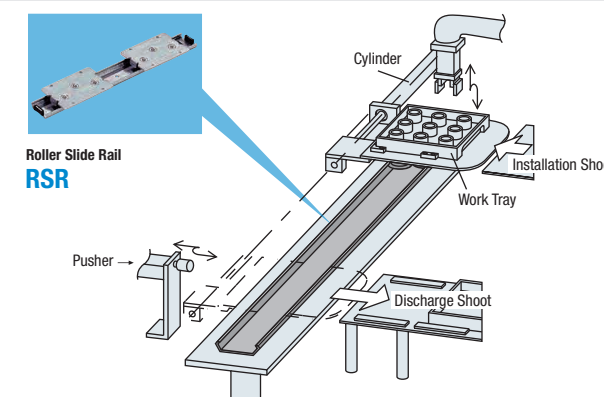
Guide for Circuit Board Inspection Unit (P.716) Inexpensive & Lightweight



Work Supplying Window of Part Feeder (P.720) Inexpensive & Lightweight



Guide Between Processes (P.721) Inexpensive & Long



Detection Unit (P.716) Inexpensive

