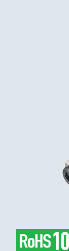


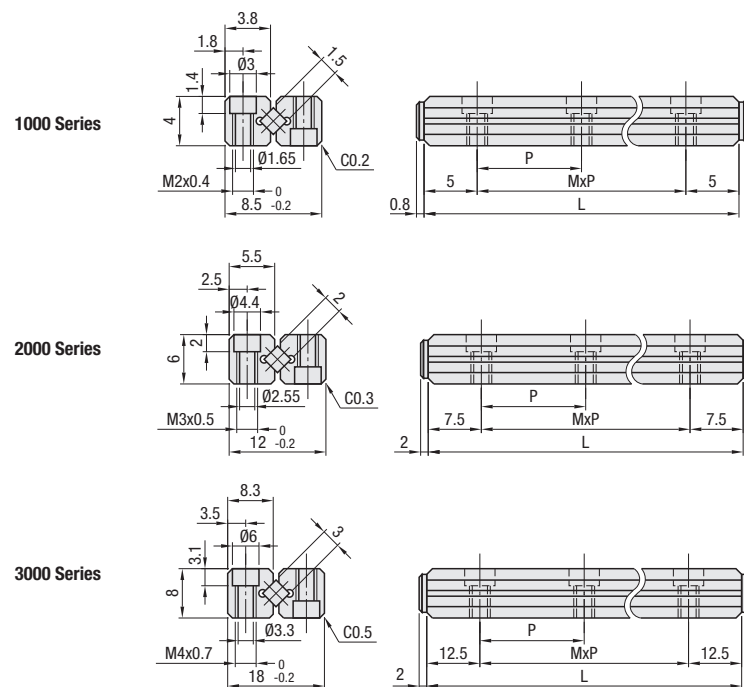
Cross Roller Guides

1000, 2000, 3000 Series

Cross Roller Guides – 1000, 2000, 3000 Series



Type	Material	Hardness	Heat Resistant Temperature
CRV	52100 Bearing Steel	60 HRC min.	-20~110°C
CRVS	440C Stainless Steel	58 HRC min.	-20~140°C



Part Number Conversion

Old Part Number	New Part Number
SV	CRV
SVS	CRVS

- Specifications such as installation dimensions and accuracies are the same as those of products with old part numbers.
- 1 Set: Track Rail 4 pcs. Cage 2 pcs.

kgf=Nx0.101972

Series	Part Number		Stroke (Reciprocating Motion)	L	M x P	No. of Rollers per Roller Cage	Basic Load Rating	
	Type	No.					C (Dynamic) N	Co (Static) N
1000	CRV	1020	12	20	1 x 10	5	465	478
		1030	20	30	2 x 10	7	643	717
		1040	27	40	3 x 10	10	962	1195
2000	CRVS Stainless Steel	2030	18	30	1 x 15	5	1101	1174
		2045	24	45	2 x 15	8	1908	2348
		2060	30	60	3 x 15	11	2274	2935
3000		3050	28	50	1 x 25	7	3617	4062
		3075	48	75	2 x 25	10	5409	6770

Part Number Example: **CRV3050**

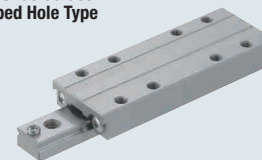
Ball Slide Guides

Counterbored Hole / Tapped Hole Type

Ball Slide Guides – Counterbored Hole Type



Ball Slide Guides – Tapped Hole Type

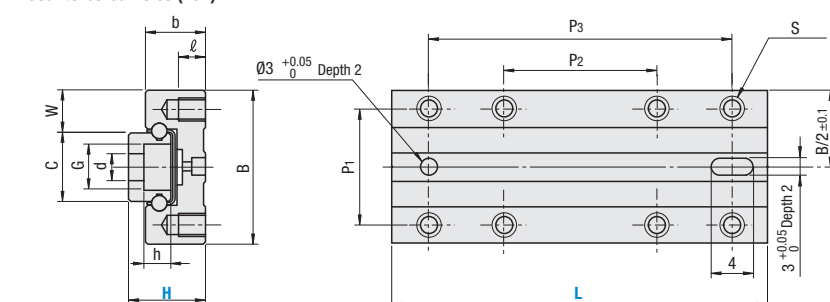


- Included Rail Mounting Screws.
 - H6 Counterbored Type comes with class 1 slotted button head screws (M2 x 6).
 - H8 Counterbored Type comes with cap screws (M2 x 6).
- Filled with Lithium soap based grease (Multemp Grease PS2 by Kyodo Yushi Co., Ltd.).

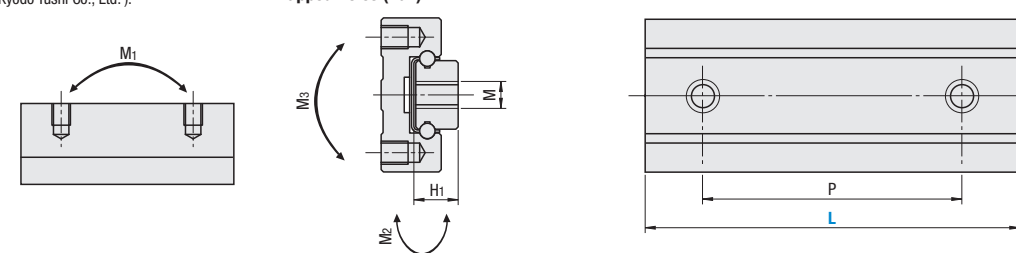
Type			Material		Hardness
Counterbored Hole	Tapped Hole	With Dowel Holes Counterbored Hole	Main Body Rails	Retainers	Main Body Rails
BSG	BSGM	BSGP	Stainless Steel	304 Stainless Steel	56 HRC min.

Heat Resistant Temperature: -20~80°C

Counterbored Holes (Rail)



Tapped Holes (Rail)

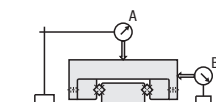


kgf=Nx0.101972

Part Number	L	Max. Stroke (Reciprocating Motion)	W	Block Dimensions					Guide Rail Dimensions				Basic Load Rating		Allowable Static Moment			Precision						
				B	P ₁	P ₂	P ₃	S	ℓ	b	C	H ₁	d x G x h	M	P	C (Dynamic) N	Co (Static) N	M ₁ N-m	M ₂ N-m	M ₃ N-m	Mass (g)	Deflection A	Deflection B	
Counterbored Hole BSG	6	25	14	3.55	12	8	15	—	M2	1.5	4.5	4.9	4	2.4 x 3.5 x 1	M2.6	15	390	847	1.5	1.5	2.2	10	4	6
		40	19				15	30	M2.5	3	6.5	6.8	4.7	2.4 x 4.2 x 2.3	M3	30	603	1573	2.9	2.9	4.2	16		
Tapped Hole BSGM	8	25	14	5.1	17	12	15	—	M2.5	3	6.5	6.8	4.7	2.4 x 4.2 x 2.3	M3	15	628	1270	2.5	2.5	4.6	20	4	6
		40	20				15	30	M3	3.5	7.8	8.9	5.5	3.5 x 6 x 3.5	M4	30	962	2329	5.1	5.1	8.5	33		
With Dowel Holes Counterbored Hole BSGP	10	*35	22	5.55	20	15	20	—	M3	3.5	7.8	8.9	5.5	3.5 x 6 x 3.5	M4	20	1038	2016	5.4	5.4	9.5	40	5	8
		*55	28				20	40	M4	4	10.8	11.8	7.5	3.5 x 6 x 4.5	M4	40	1886	4032	11.1	11.1	19.0	65		
		*45	26				25	—	M4	5	10	11.8	7.5	3.5 x 6 x 4.5	M4	25	1627	3334	10.6	10.6	20.7	93		
	13	*70	36	7.6	27	20	25	50	M4	5	10	11.8	7.5	3.5 x 6 x 4.5	M4	50	2519	6192	20.0	20.0	38.4	146	5	8

Only * marked sizes are available for Dowel Hole Type.

Part Number Example: **BSG8 - L - 40**



A: Parallelism at the Center of Table (µm)
B: Parallelism at Side Surface (µm)