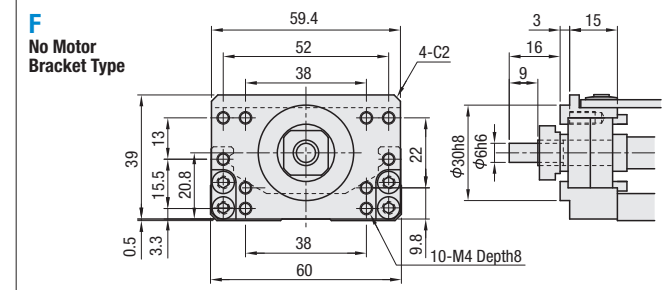
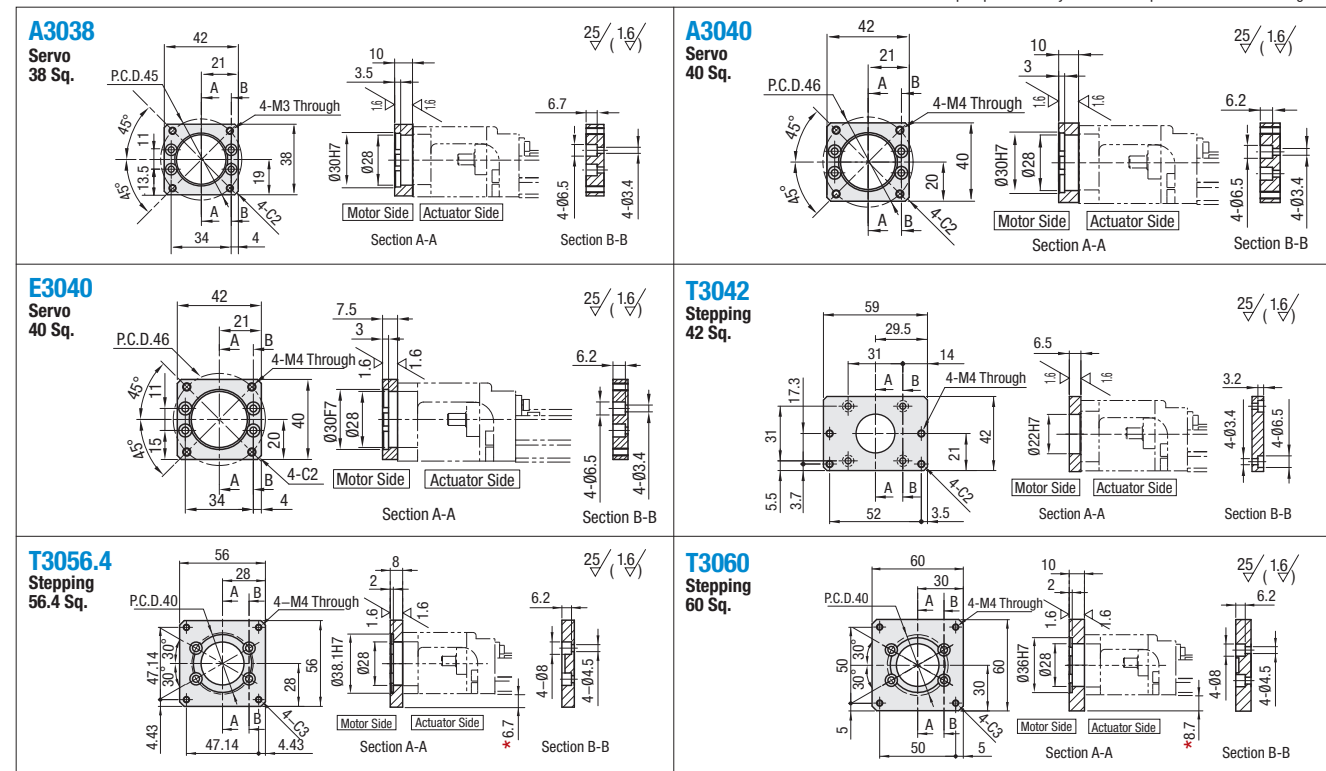


Single Actuator LX30

Motor Adapter Plates / Motor Adapter Centering Tools



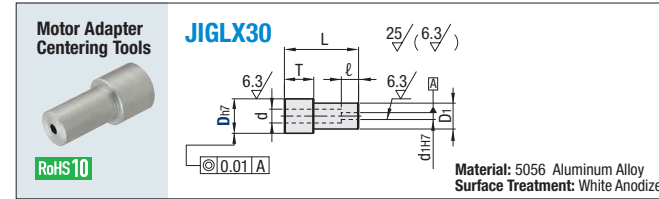
Note: *Marked area indicates where the Motor Adapter protrudes beyond the Rail. Special attention must be given.



- Product numbers and specifications of motors are subject to change. Please check the manufacturers' information.
- Applicable motors and couplings are not limited to the above listed products. Please confirm each mounting dimension.
- For standard details, please see P.534-535.

Stepper Motor Application Table

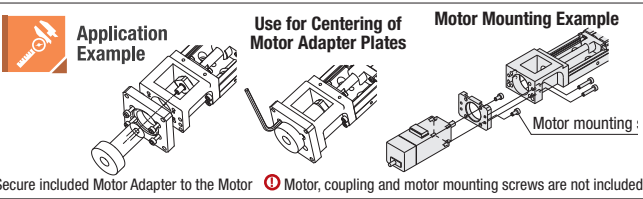
Part Number	Flange Size	Manufacturer	Product Number	Type	Recommended Coupling
T3042 (NEMA17)	42 Sq.	Oriental Motor	UMK24* / PK24*	2-Phase	SCXW21 (P.1094)
			UPK54* / PK54*	5-Phase	
			AS46, ASC46, AR46	Q Step	
T3056.4 (NEMA23)	56.4 Sq.	Oriental Motor	UMK26* / PK26*	2-Phase	SCPW21 (P.1094)
T3060	60 Sq.		UPK56* / PK56*	5-Phase	CPDW19 (P.1096)
			AS6*, ASC66, AR66	Q Step	



Servo Motor Application Table

Part Number	Flange Size	Manufacturer	Product Number	Wattage	Recommended Couplings		
A3038	38 Sq.	Panasonic	MSMD-5A	50W	SCXW21 (P.1094)		
			MSMA-3A	30W			
			MSMA-5A	50W			
			MSMA-01	100W			
			SGMJV-A5	50W			
A3040	40 Sq.	Yasukawa Electric Corporation	SGMAH-A5	50W	SCPW21 (P.1094)		
			SGMAH-01	100W			
			HC-MFS053	50W			
			HC-MFS13	100W			
			Q1AA04003D	30W			
		Mitsubishi Electric Corporation	Q1AA04005D	50W		CPDW19 (P.1096)	
			Q1AA04010D	100W			
			Omron Corporation	R88M-W03030			30W
				R88M-W05030			50W
				R88M-W10030			100W
Keyence Corporation	MV-M05 / SV-M005	50W					
	MV-M10 / SV-M010	100W					
E3040	40 Sq.	SIEMENS	1FK7011-5	50W	CPDW25 (P.1096)		
			1FK7015-5	100W			

Shaft length in coupling will be 0.5 mm shorter on each side when used with Siemens motor.



Part Number Example: JIGLX30 - 30

Part Number	D	Corresponding Attachments	d	D ₁	d ₁	L	T	I
JIGLX30	30	A3038/A3040	10	20	6	52.5	13	10
	38.1	T3056.4	10	20	6	51	12	10
	36	T3060	10	20	6	53	12	10

Single Axis Actuator LX30

Sensor Sets



Proximity Sensor Type (SUNX) Set Part Specification

LX Part Numbers	Code (Is Sensor Qty.) * Up to 3 Sensors	Sensor Type/Qty.		Sensor Rail		Sensor (* Qty per sensor included)		Sensor Flag	
		GX-F12A (ON When Near)	GX-F12B (ON When Away)	Rail (1 Pc.)	Mounting Screw (Pitch +1 Pc.)	Sensor Mounting Screws (1 Pc.)	Fixing Nut (1 pc.)	Sensor Flag (1 Pc.)	Sensor Flag Mounting Screw
LX30_-B_	XA_	_pc (s)	—	SENC3_H	SCB3-5				Flat Head Screw M2.6-4 (1 Pc)
LX30_-S_	XB_	—	_pc (s).						
LX30_-C-B_	XAS_	_pc (s).	—	SENC3_H	SCB3-5	CBSST3-8	LBNR3	Original	Flat Head Screw M2.6-4 (1 Pc)
	LX30_-C-S_	XBS_	—						
LX30_-B_	FA_	_pc (s).	—	SENC3_H	SCB3-5	CBSST3-8	LBNR3	Original	Flat Head Screw M2.6-4 (1 Pc)
	FB_	—	_pc (s).						
	LX30_-C-S_	FAS_	_pc (s).						
LX30_-B_	FBS_	—	_pc (s).	SENC3_H	SCB3-5	CBSST3-8	LBNR3	Original	Flat Head Screw M2.6-4 (1 Pc)
	XW1	1 pc.	2 Pcs.						
	XW2	2 Pcs.	1 pc.						
LX30_-S_	XWS1	1 pc.	1 pc.	SENC3_H	SCB3-5	CBSST3-8	LBNR3	Original	Flat Head Screw M2.6-4 (1 Pc)
	XWS2	2 Pcs.	2 Pcs.						
LX30_-C-B_	FW1	1 pc.	1 pc.	SENC3_H	SCB3-5	CBSST3-8	LBNR3	Original	Flat Head Screw M2.6-4 (1 Pc)
	FW2	2 Pcs.	1 pc.						
	FW3	2 Pcs.	1 pc.						
LX30_-C-S_	FWS1	1 pc.	1 pc.	SENC3_H	SCB3-6	CBSST3-8	LBNR3	Original	Flat Head Screw M2.6-4 (1 Pc)
	FWS2	2 Pcs.	2 Pcs.						
	FWS3	2 Pcs.	1 pc.						

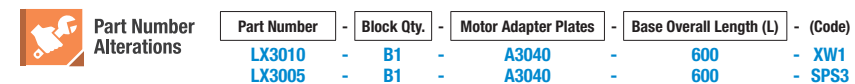
Photo Sensor Type (SUNX) Set Part Specification

LX Part Number	Photo Sensor	Sensor Rail		Sensor (*Qty Per Sensor Included)			Sensor Flag		code (Is the No. of Pcs.) * Up to 3 Sensors
		Rail (1 Pc.)	Mounting Screw (Pitch +1 Pc.)	Sensor Bracket	Bracket Mounting Screw Nut	Sensor Mounting Screw	Sensor Mounting Washer	Sensor Flag (1 Pc.)	
LX30_-B_	PM-L25	SENC3_H	SCB3-5	Original	SCB3-6 (2 Pcs.)	SCB3-6 (2 Pcs.)	M3 Small Flat Washers (2 Pcs.)	Original	Flat Head Screw M2.6-4 (1 Pc)
LX30_-S_		SENC3_H	SCB3-5		LBNR3 (2 Pcs.)	SCB3-6 (2 Pcs.)	SCB3-6 (2 Pcs.)		SCB3-6 (2 Pcs.)
LX30_-C-B_		SENC3_H	SCB3-5	Original	SCB3-6 (2 Pcs.)	SCB3-6 (2 Pcs.)	M3 Small Flat Washers (2 Pcs.)	Original	Flat Head Screw M2.6-4 (1 Pc)
LX30_-C-S_		SENC3_H	SCB3-5	Original	SCB3-6 (2 Pcs.)	SCB3-6 (2 Pcs.)	M3 Small Flat Washers (2 Pcs.)	Original	Flat Head Screw M2.6-4 (1 Pc)

Photo Sensor Type (Omron) Set Part Specification

LX Part Number	Photo Sensor	Sensor Rail		Sensor (*Qty Per Sensor Included)			Sensor Flag		code (Is the No. of Pcs.) * Up to 3 Sensors
		Rail (1 Pc.)	Mounting Screw (Pitch +1 Pc.)	Sensor Bracket	Bracket Mounting Screw Nut	Sensor Mounting Screw	Sensor Mounting Washer	Sensor Flag (1 Pc.)	
LX30_-B_	EE-SX951-R 1M	SENC3_H	SCB3-5	Original	SCB3-6 (2 Pcs.)	SCB3-6 (2 Pcs.)	M3 Small Flat Washers (2 Pcs.)	Original	Flat Head Screw M2.6-4 (1 Pc)
LX30_-S_		SENC3_H	SCB3-5		LBNR3 (2 Pcs.)	SCB3-6 (2 Pcs.)	SCB3-6 (2 Pcs.)		SCB3-6 (2 Pcs.)
LX30_-C-B_		SENC3_H	SCB3-5	Original	SCB3-6 (2 Pcs.)	SCB3-6 (2 Pcs.)	M3 Small Flat Washers (2 Pcs.)	Original	Flat Head Screw M2.6-4 (1 Pc)
LX30_-C-S_		SENC3_H	SCB3-5	Original	SCB3-6 (2 Pcs.)	SCB3-6 (2 Pcs.)	M3 Small Flat Washers (2 Pcs.)	Original	Flat Head Screw M2.6-4 (1 Pc)

* Sensors are not sold separately.



Proximity Sensor Type Installation Drawings (SUNX)

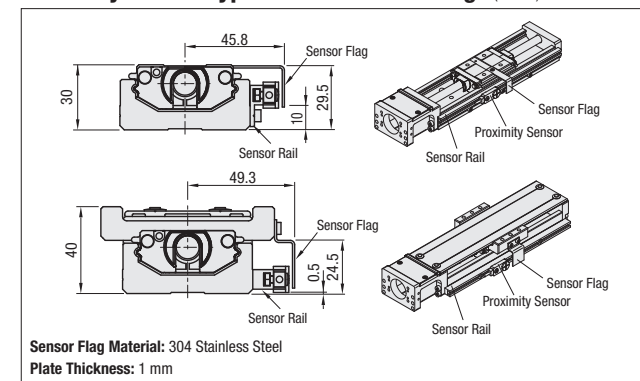
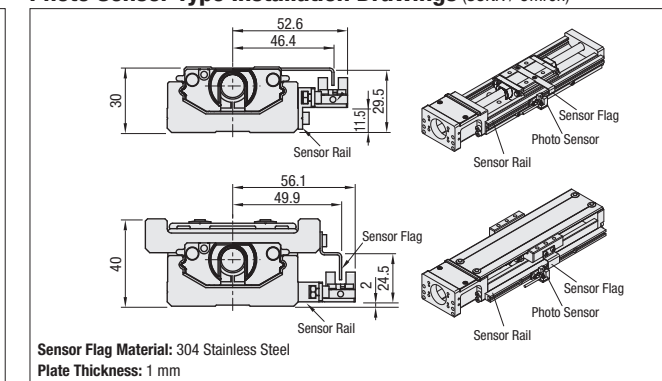


Photo Sensor Type Installation Drawings (SUNX / Omron)



Please access each sensor manufacturer's website for the specifications of sensors in use.