

Shaft Collars

Slit / Standard Type

Features: Less shaft damage from tightening than the Set Screw Type (P.330).

Type	Material	Surface Treatment	Accessories
SCS	1045 Carbon Steel or Equivalent	Black Oxide Coating	Hex Socket Head Cap Screw 1 pc. (4137 Alloy Steel or Equivalent)
PSCS	304 Stainless Steel or Equivalent	Electroless Nickel Plating	Hex Socket Head Cap Screw 1 pc. (304 Stainless Steel or Equivalent)
SSCS		—	
SCSA SCSAW SCSAB		Clear Anodize Black Anodize	
2000 Series Aluminum Alloy Ⓢ Thread Insert Type of 2000 Series Aluminum Alloy P.349 Ⓢ For Mount Hole Type, see P.337-338. Ⓢ Maximum thrust loads obtained by tightening test are shown on P.329. Ⓢ No Clamp machining on Z section.			

Part Number	Type	D	B	D ₁	M (Coarse Thread)	d	R	W	X	Y	Z	1045 Carbon Steel or Equivalent		304 Stainless Steel or Equivalent	2000 Series Aluminum Alloy			
												Black Oxide Coating	Electroless Nickel Plating	—	—	Clear Anodize	Black Anodize	
													SCS	PSCS	SSCS	SCSA	SCSAW	SCSAB
3		3	8	16					4.5	2.2	3.5	•	•	•	•	•	•	
4		4	8	18	M3	3.4	3	1	5	3	3.5-6	•	•	•	•	•	•	
5		5	8	20					5.5		5-6.5	•	•	•	•	•	•	
6		6	8	20	M3	3.4	3		6.5	4	6-7	•	•	•	•	•	•	
6		6	10	20	M4	4.5	3.75		6		6-6.5	•	•	•	•	•	•	
8		8	8	25	M3	3.4	3		8 (7)		7-9	•	•	•	•	•	•	
8		8	10	25	M4 (M4)	4.5 (3.4)	3.75 (3)		9	5	7-10	•	•	•	•	•	•	
8		8	12	25	M5	5.5	4.5		9		7-10	•	•	•	•	•	•	
8		8	15	25					9		7-10	•	•	•	•	•	•	
10		10	8	30	M3	3.4	3		10	6	8-10	•	•	•	•	•	•	
10		10	10	30	M4	4.5	3.75		10	5	8-10	•	•	•	•	•	•	
10		10	12	30	M5	5.5	4.5		10		8-10	•	•	•	•	•	•	
10		10	15	30					10		8-10	•	•	•	•	•	•	
12		12	8	30	M3	3.4	3		11	6	9-12	•	•	•	•	•	•	
12		12	10	30	M4	4.5	3.75		11	5	10	•	•	•	•	•	•	
12		12	12	30	M5	5.5	4.5		11		10	•	•	•	•	•	•	
12		12	15	30					11		10	•	•	•	•	•	•	
13		13	10	30	M4	4.5	3.75		11	6	10-12	•	•	•	•	•	•	
13		13	12	34	M5	5.5	4.5		11		10-12	•	•	•	•	•	•	
13		13	15	34	M6	6.6	6		11		10-12	•	•	•	•	•	•	
15		15	10	34	M4	4.5	3.75		11.5	6	11-13	•	•	•	•	•	•	
15		15	12	35	M5	5.5	4.5		12		11-13	•	•	•	•	•	•	
15		15	15	40	M6	6.6	6		12	8	11-13	•	•	•	•	•	•	
16		16	10	35	M5	5.5	4.5		12	6	11-12	•	•	•	•	•	•	
16		16	12	35	M6	6.6	6		12		11-12	•	•	•	•	•	•	
18		18	10	40	M5	5.5	4.5		13	8	11-13	•	•	•	•	•	•	
18		18	12	40	M6	6.6	6		13		11-13	•	•	•	•	•	•	
18		18	15	40					14	7	13_14	•	•	•	•	•	•	
20		20	10	45	M5	5.5	4.5		14	7	13-14	•	•	•	•	•	•	
20		20	12	45	M6 (M5)	6.6 (5.5)	6 (4.5)		14		13-14	•	•	•	•	•	•	
20		20	15	45 (40)	M6 (M5)	6.6 (5.5)	6 (4.5)		14		13-14	•	•	•	•	•	•	
20		20	20	45	M6	6.6	6		15 (14)	8 (7)	13-15	•	•	•	•	•	•	
25		25	12	50 (45)	M5	5.5	4.5		16	8	13-15	•	•	•	•	•	•	
25		25	15	50 (45)	M6 (M5)	6.6 (5.5)	6 (4.5)		17	7	16-18	•	•	•	•	•	•	
25		25	20	55	M6 (M5)	6.6 (5.5)	6 (4.5)		18 (17)	10 (7)	16-18	•	•	•	•	•	•	
30		30	12	60	M6	6.6	6		20		16-20	•	•	•	•	•	•	
30		30	15	60	M8	9	7		20	10	18-20	•	•	•	•	•	•	
35		35	15	70	M6	6.6	6		23	12	18-21	•	•	•	•	•	•	
40		40	18	70	M8	9	7		26	13	23	•	•	•	•	•	•	
50		50	22	85					32	16	28	•	•	•	•	•	•	
60		60	22	95	M10	11	9		37	18		•	•	•	•	•	•	
80		80	32	130					50	22		•	•	•	•	•	•	
100		100	36	150	M16	18	13		60	26		•	•	•	•	•	•	

Part Number Example: SCS10 - 10

Shaft Collars

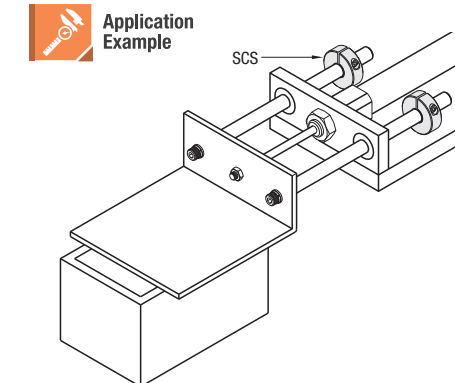
Slit / Compact Type

Features: Smaller by up to 33% in width (B dimension) and 16% in O.D. (D₁ dimension) than the Standard Type (P.332).

Type	Material	Surface Treatment	Accessories
SCSJ	1045 Carbon Steel or Equivalent	Black Oxide Coating	Hex Socket Head Cap Screw 1 pc. (4137 Steel Alloy or Equivalent)
PSCSJ		Electroless Nickel Plating	Socket Head Cap Screw 1 pc. (304 Stainless Steel or Equivalent)
SSCSJ	304 Stainless Steel or Equivalent	—	

Part Number	Type	D	B	D ₁	M (Coarse Thread)	d	R	W	X	Y	Z
6		6	6	18				1	6		6.5
8		8	6	22	M2.6	2.9	2.45		7		9
10		10	6	25					8		9
12		12	6	25					9		9
13		13	6	28					11		11
15		15	8	30	M3	3.4	3	1.5	11.5		11
16		16	8	30					11.5		11
20		20	8	35					13		13
25		25	10	42	M4	4.5	3.75		16.5		16.5
30		30	10	50					20		20
35		35	12	55	M5	5.5	4.5		22.5		21
40		40	12	60					25		23
50		50	18	80	M8	9	7	3	32	15	28

Part Number Example: PSCSJ5 - 6



Size Comparison Table

D	Size Differences		Compact		Standard (P.332)	
	B (Thickness)	D ₁ (Outer Dia.)	B (Thickness)	D ₁ (Outer Dia.)	B (Thickness)	D ₁ (Outer Dia.)
5	-2	-4	6	16	8	20
6	-2	-2	6	18	8	20
8	-2	-3	6	22	8	25
10	-2	-5	6	25	8	30
12	-2	-5	6	25	8	30
13	-2	-2	8	28	10	30
15	-2	-4	8	30	10	34
16	-2	-5	8	30	10	35
20	-2	-5	8	35	10	40
25	-2	-3	10	42	12	45
30	-3	-5	12	50	15	55
35	-3	-5	12	55	15	60
40	-6	-10	12	60	18	70
50	-4	-5	18	80	22	85