
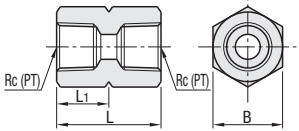

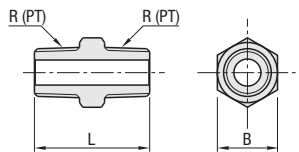

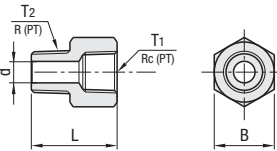

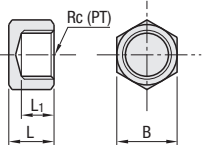

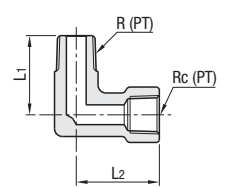


# Copper Pipe Fittings (Brass Type)

Socket / Nipples / Female / Male Socket / Caps / Female / Male Elbow

Copper Pipe Fittings – Socket	Type	Material
	<b>SJSFS</b>	C36000 Brass
		
RoHS10		
Copper Pipe Fittings – Nipples	Type	Material
	<b>SJSRN</b>	C36000 Brass
		
RoHS10		
Copper Pipe Fittings – Female / Male Socket	Type	Material
	<b>SJSXS</b>	C36000 Brass
		
RoHS10		
Copper Pipe Fittings – Caps	Type	Material
	<b>SJSCP</b>	C3604 Brass (JIS)
		
RoHS10		
Copper Pipe Fittings – Female / Male Elbow	Type	Material
	<b>SJSXL</b>	C37700 Brass
		
RoHS10		

Part Number		Rc (PT)	L	L <sub>1</sub>	B
Type	No.				
SJSFS	6A	1/8	21	10.5	14
	8A	1/4	28	14	17
	10A	3/8	32	16	21
	15A	1/2	40	20	26

Part Number		R (PT)	L	B
Type	No.			
SJSRN	6A	1/8	22	12
	8A	1/4	28	14
	10A	3/8	33	17
	15A	1/2	38	22

Part Number		Rc (PT)	R (PT)	L	d	B
Type	No.	T <sub>1</sub>	T <sub>2</sub>			
SJSXS	6A	1/8	1/8	20	5	14
	8A	1/4	1/4	24	8	17
	10A	3/8	3/8	28	11	21
	15A	1/2	1/2	33	15	26

Part Number		Rc (PT)	L	L <sub>1</sub>	B
Type	No.				
SJSCP	6A	1/8	9	7	12
	8A	1/4	11	9	16
	10A	3/8	14	12	19
	15A	1/2	15	13	24

Part Number		R, Rc (PT)	L <sub>1</sub>	L <sub>2</sub>
Type	No.			
SJSXL	6A	1/8	19	22
	8A	1/4	24	25
	10A	3/8	28	29
	15A	1/2	32	34


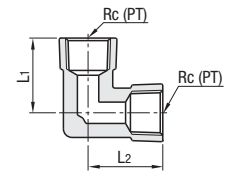

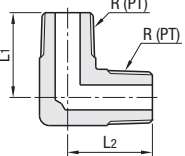

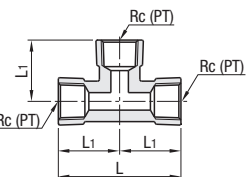

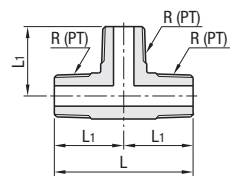

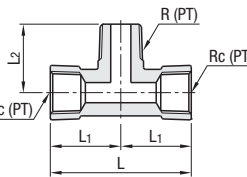
### Fitting Specifications

Operating Temperature Range -50~280°C	-50~150°C (Not to be frozen)
Max. Operating Pressure	6.9 MPa

Part Number Example **SJSMT6A**

# Copper Pipe Fittings (Brass Type)

Elbow / Male Elbow / Tees / Male Tees / Female Tees / Male Tees

Copper Pipe Fittings – Female Elbow	Type	Material
	<b>SJSFL</b>	C37700 Brass
		
RoHS10		
Copper Pipe Fittings – Male Elbow	Type	Material
	<b>SJSML</b>	C37700 Brass
		
RoHS10		
Copper Pipe Fittings – Tees	Type	Material
	<b>SJSFT</b>	C37700 Brass
		
RoHS10		
Copper Pipe Fittings – Male Tees	Type	Material
	<b>SJSMT</b>	C37700 Brass
		
RoHS10		
Copper Pipe Fittings – Female/Male Tees	Type	Material
	<b>SJSXT</b>	C37700 Brass
		
RoHS10		

Part Number		Rc (PT)	L <sub>1</sub>	L <sub>2</sub>
Type	No.			
SJSFL	6A	1/8	22	22
	8A	1/4	25	25
	10A	3/8	29	29
	15A	1/2	34	34

Part Number		R (PT)	L <sub>1</sub>	L <sub>2</sub>
Type	No.			
SJSML	6A	1/8	17	17
	8A	1/4	22	22
	10A	3/8	25	25
	15A	1/2	29	29

Part Number		Rc (PT)	L	L <sub>1</sub>
Type	No.			
SJSFT	6A	1/8	44	22
	8A	1/4	50	25
	10A	3/8	58	29
	15A	1/2	68	34

Part Number		R (PT)	L	L <sub>1</sub>
Type	No.			
SJSMT	6A	1/8	34	17
	8A	1/4	44	22
	10A	3/8	50	25
	15A	1/2	58	29

Part Number		R / Rc (PT)	L	L <sub>1</sub>	L <sub>2</sub>
Type	No.				
SJSXT	6A	1/8	44	22	19
	8A	1/4	50	25	24
	10A	3/8	58	29	28
	15A	1/2	68	34	32

### Fitting Specifications

Operating Temperature Range -50~280°C	-50~150°C (Not to be frozen)
Max. Operating Pressure	6.9 MPa

Part Number Example **SJSMT6A**