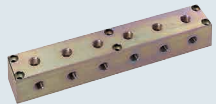


Manifold Blocks (Hydraulic / Pneumatic)

High Pressure / Compact

Hydraulic Manifold Block – High Pressure

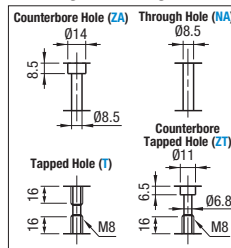


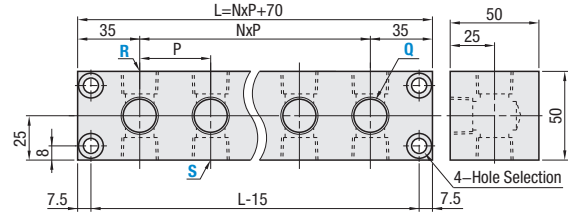
RoHS10

Type	Material	Surface Treatment	Max. Operating Pressure
BMAH	General Structural Steel	Trivalent Chromate	34.5 MPa = 350 kgf/cm ² or Less

Thread: JIS B0203 Rc (PT)
JIS B0202 G (PF); ISO 228-1 Compatible

Mounting Hole Change





Type	Part Number		P	No. of Pitches N	Q, R & S Total No. of Threads
	Mounting Hole Selection	Circuits			
BMAH	ZA (Counterbore)	1	50	0	3
	NA (Through hole)	2		1	6
	T (Tapped)	3		2	9
	ZT (Counterbore Tapped)	4		3	12
		5		4	15
		6		5	18


- For G (PF) Thread please place an order specified with G- before part number. (Ex: G-BMAH) For ordering, see the Ordering Example.
- For Q, R and S, specify 1, 2, 3, or 4 indicated before ().
- Only 6 Circuit Type has an additional mounting hole at the midpoint of the overall length.

Part Number Example

Part Number: [Type] - [Mounting Holes] - [No. of Circuits] - [Q] - [R] - [S]

BMAH ZT 4 - Q2 - R2 - S2
G-BMAH ZT 4 - Q2 - R2 - S2 (G Thread)

Pneumatic Manifold Block – Compact

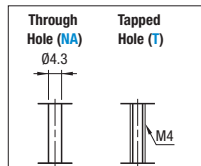


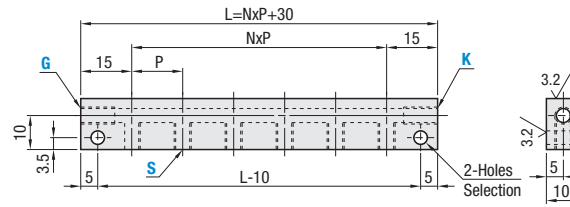
RoHS10

Type	Material	Surface Treatment	Normal Pressure
SBMA	6063 Aluminum Alloy	—	1 MPa = 10 kgf/cm ² or Less
SBMAA	Aluminum Alloy	Clear Anodize	10 kgf/cm ² or Less

Mounting holes can be selected. * Drawing for 6 Circuit Type is selected.

Mounting Hole Change





Type	Part Number		P	No. of Pitches N	S, G & K Total No. of Threads
	Mounting Hole Selection	No. of Outlets			
SBMA	NA (Through hole)	1	15	0	3
		2		1	4
		3		2	5
SBMAA	T (Tapped)	4		3	6
		5		4	7
		6		5	8

- For S, G and K, specify 3 or 5 indicated before ().
- N indicates number of pitches.

Part Number Example

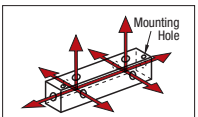
Part Number: [Type] - [Mounting Holes] - [No. of Circuits] - [S] - [G] - [K]

SBMAA T 4 - S3 - G3 - K3




Manifold Blocks (Hydraulic / Pneumatic)

Selectable Thread Size



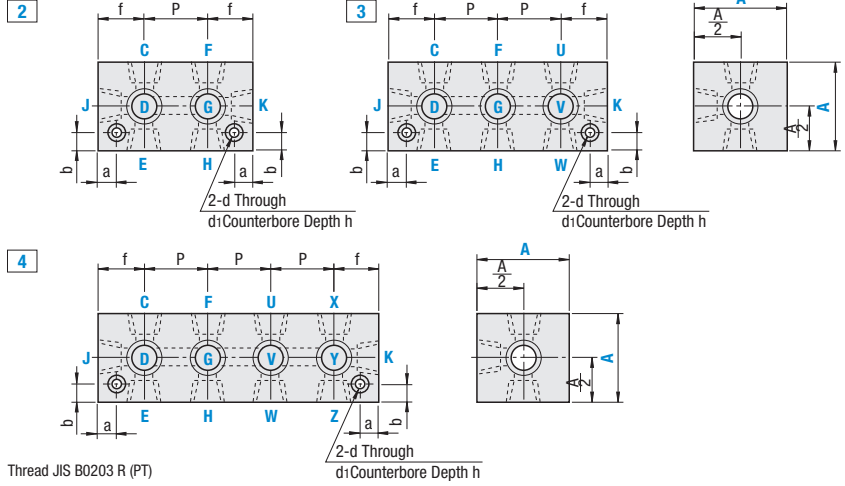
Manifold Block – Selectable Thread Size



RoHS10

Type	Material	Surface Treatment	Max. Operating Pressure
BMFRS	General Structural Steel	Trivalent Chromate	20.6 MPa = 210 kgf/cm ² or Less
BMFRA	5052 Aluminum Alloy	—	1 MPa = 10 kgf/cm ² or Less
BMFRAA	Aluminum Alloy	Clear Anodize	1 MPa = 10 kgf/cm ² or Less

Thread JIS B0203 R (PT)
JIS B0202 G (PF); ISO 228-1 Compatible



Type	Circuits	Block Square A	Standard Thread Size Rc (PT), M (Coarse)	Alternative Thread Size Rc (PT), M (Coarse)								P	f	a	b	d	d ₁	h
				JK (0 only), CDEFGHUVWXYZ														
BMFRS BMFRA BMFRAA	2 3 4	25	5 (M5) 1 (1/8)	0 (No Hole) 5 (M5) 1 (1/8)	20	16	8	5	4.5	8	4.5							
			30	1 (1/8) 2 (1/4)	0 (No Hole) 5 (M5) 1 (1/8) 2 (1/4)	25	15	5	4.5	8	4.5							
			35	1 (1/8) 2 (1/4)	0 (No Hole) 5 (M5) 1 (1/8) 2 (1/4) 3 (3/8)	30	20	6	5.5	9.5	5.5							
			40	2 (1/4) 3 (3/8)	0 (No Hole) 5 (M5) 1 (1/8) 2 (1/4) 3 (3/8) 4 (1/2)	40	22	6.5	6.6	11	6.5							
			50	2 (1/4) 3 (3/8) 4 (1/2)	0 (No Hole) 5 (M5) 1 (1/8) 2 (1/4) 3 (3/8) 4 (1/2) 6 (3/4)	50	30	8	8.5	14	8.5							
			60N	3 (3/8) 4 (1/2) 6 (3/4)	0 (No Hole) 5 (M5) 1 (1/8) 2 (1/4) 3 (3/8) 4 (1/2) 6 (3/4)	60	30	8	8.5	14	8.5							

- A=25 is applicable to BMFRA and BMFRAA only, and A=60 to BMFRS only.
- For thread diameter selection, specify 0, 5, 1, 2, 3, 4 or 6 indicated before ().
- For the purposes of improved standardization, the former A dimension 60 has been changed to "60N." The a/b dimension standard of 8 mm was formerly 10 mm. The 10-mm standard will be discontinued in September 2022.
Old: BMFRS□□-60-□ New: BMFRS□□-60N-□

Part Number Example

Part Number: [Part Number] - [A] - [Standard Thread size] - [J] - [K] - [C] - [D] - [E] - [F] - [G] - [H] - [U] - [V] - [W] - [X] - [Y] - [Z]

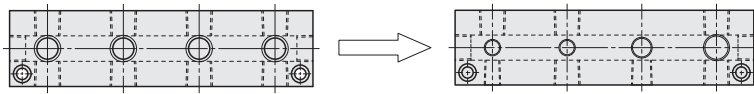
BMFRS4 - 60 - 4 - J - K - C - D - E - F - G - H - U - V - W - X - Y - Z
G-BMFRA4 - 30 - 2 - J - K - C - D - E - F - G - H - U - V - W - X - Y - Z (G Thread)

Selection Method

Step I: Select the most frequently used thread diameter as basic thread diameter.

Step II: Select ports to change from Standard Thread to desired thread size.

Order Example: Select 4 (1/2). **Order Example:** D2-E2-G2-U0-V3-W3



⊖ Diameter of J and K is not changeable. Specify J0-K0 when J and K is not necessary (No through hole for them. Empty values for J and K dimensions are not acceptable. Examples below:

(Ex.)
Right BMFRS4-60-4-J0-K0-D2
Right BMFRS4-60-4 -D2
Wrong BMFRS4-60-4-J0 -D2
Wrong BMFRS4-60-4 -K0-D2

Part Number Alterations

Part Number: [Part Number] - [A] ... - [Z] - (PC / PCW / PCT)

BMFRS4 - 60 ... - PC40

Alterations	Code	Spec.
P Dimension Change	PC	Changes the P dimension in 1mm increment. (Ex.) PC38-PCW30
	PCW	20≦PC, PCW, PCT≦50
	PCT	In the case of BMFRS, normal pressure falls below 1 MPa = 10 kgf/cm ² when the pitch is shorter than default value.
		L dimension changes as much as the changes in P dimension.