


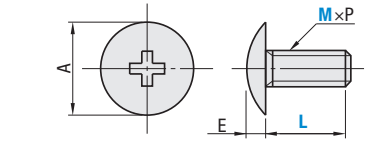
Machine Screws

Phillips Truss / Round Flat Head / Low Flat Head

Machine Screws – Phillips Truss



BTRSS Trivalent Chromate
TRSS Stainless Steel




Type	Material	Surface Treatment
BTRSS	SWCH Carbon Steel or Equivalent	Trivalent Chromate
TRSS	304 Stainless Steel or Equivalent	—

RoHS10

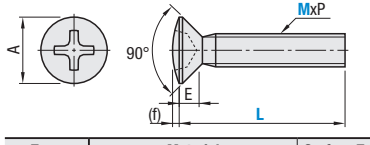
M x P (Coarse)	A	E	Phillips Number
2 x 0.4	4.5	1.2	1
2.5 x 0.45	5.7	1.5	
2.6 x 0.45	5.9	1.6	
3 x 0.5	6.9	1.9	
4 x 0.7	9.4	2.5	
5 x 0.8	11.8	3.1	2
6 x 1.0	14	3.7	3

Part Number Example **TRSS5-10**

Machine Screws – Phillips Round Flat Head



MSARA Trivalent Chromate
MSARAS Stainless Steel




Type	Material	Surface Treatment
MSARA	SWCH Carbon Steel or Equivalent	Trivalent Chromate
MSARAS	304 Stainless Steel or Equivalent	—

RoHS10

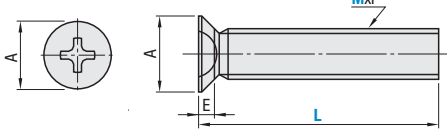
M x P (Coarse)	A	(f)	E	Phillips Number
3 x 0.5	6	0.7	1.75	2
4 x 0.7	8	0.9	2.3	
5 x 0.8	10	1.2	2.8	
6 x 1.0	12	1.4	3.4	

Part Number Example **MSARAS4-8**

Machine Screws – Phillips Low Flat Head



TSARA Trivalent Chromate
TSARAS Stainless Steel



Type	Material	Surface Treatment
TSARA	SWCH Carbon Steel or Equivalent	Trivalent Chromate
TSARAS	304 Stainless Steel or Equivalent	—

RoHS10

M x P (Coarse)	A	E	Phillips Number
3 x 0.5	5	1.3	1
4 x 0.7	6	1.4	2
5 x 0.8	8	1.9	
6 x 1.0	10	2.4	3

Part Number Example **TSARAS5-10**

Part Number		Part Number	
Type	M - L	Type	M - L
BTRSS	3 - 4	TRSS	2 - 3
	5		4
	6		5
	8		6
	10		8
	12		10
	15		12
	20		15
	25		20
	30		25
BTRSS	4 - 4	TRSS	2.5 - 3
	5		4
	6		5
	8		6
	10		8
	12		10
	15		12
	20		15
	25		20
	30		25
BTRSS	5 - 5	TRSS	3 - 4
	6		5
	8		6
	10		8
	12		10
	15		12
	20		15
	25		20
	30		25
	35		30
BTRSS	6 - 6	TRSS	4 - 4
	8		5
	10		6
	12		8
	15		10
	20		12
	25		15
	30		20
	35		25
	40		30

Part Number		Part Number	
Type	M - L	Type	M - L
MSARA	3 - 5	MSARAS	3 - 5
	6		6
	8		8
	10		10
	12		12
	15		15
	20		20
	25		25
	30		30
	35		35
MSARA	4 - 6	MSARAS	4 - 6
	8		8
	10		10
	12		12
	15		15
	20		20
	25		25
	30		30
	35		35
	40		40
MSARA	5 - 8	MSARAS	5 - 8
	10		10
	12		12
	15		15
	20		20
	25		25
	30		30
	35		35
	40		40
	45		45
MSARA	6 - 10	MSARAS	6 - 10
	12		12
	15		15
	20		20
	25		25
	30		30
	35		35
	40		40
	45		45
	50		50

MSARAS is not available on M3 for L5.


Part Number		Part Number	
Type	M - L	Type	M - L
TSARA	3 - 5	TSARAS	4 - 6
	6		8
	8		10
	10		12
	12		15
	15		20
	20		25
	25		30
	30		35
	35		40
TSARA	4 - 6	TSARAS	5 - 8
	8		10
	10		12
	12		15
	15		20
	20		25
	25		30
	30		35
	35		40
	40		45
TSARA	5 - 8	TSARAS	6 - 10
	10		12
	12		15
	15		20
	20		25
	25		30
	30		35
	35		40
	40		45
	45		50
TSARA	6 - 10	TSARAS	6 - 10
	12		12
	15		15
	20		20
	25		25
	30		30
	35		35
	40		40
	45		45
	50		50

TSARAS is not available on M3.

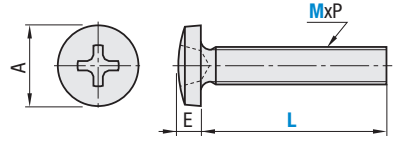
Head Screws

Phillips Binding

Head Screws – Phillips Binding



BDJ Trivalent Chromate
BDJS Stainless Steel



Type	Material	Surface Treatment
BDJ	SWCH Carbon Steel or Equivalent	Trivalent Chromate
BDJS	304 Stainless Steel or Equivalent	—

M x P (Coarse)	A	E	Cross Recess Number
3 x 0.5	6.3	1.9	2
4 x 0.7	8.3	2.5	
5 x 0.8	10.3	3.1	
6 x 1.0	12.4	3.7	3

RoHS10

Part Number		Available Types				Part Number	
Type	M - L	1-9	10-29	30-49	50+	Type	M - L
BDJ	3 - 5					BDJS	3 - 5
	6						6
	8						8
	10						10
	12						12
	15						15
	20						20
	25						25
	30						30
	35						35
BDJ	4 - 6					BDJS	4 - 6
	8						8
	10						10
	12						12
	15						15
	20						20
	25						25
	30						30
	35						35
	40						40
BDJ	5 - 8					BDJS	5 - 8
	10						10
	12						12
	15						15
	20						20
	25						25
	30						30
	35						35
	40						40
	45						45
BDJ	6 - 10					BDJS	6 - 10
	12						12
	15						15
	20						20
	25						25
	30						30
	35						35
	40						40
	45						45
	50						50

Part Number Example **BDJ5-10**