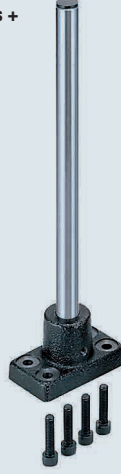


Device Stands

Square Flange, Through Hole

Device Stands – Square Flange

Set (Posts + Brackets)



Set (Posts + Brackets)

Type				Posts		Brackets		Accessories	
Square Flanged (Solid)	Square Flanged, Slotted Holes (Hollow)	Square Flanged (Solid)	Square Flanged, Slotted Holes (Hollow)	Material Hardness	Surface Treatment	Material	Surface Treatment	Solid	Pipe
ASTN	ASPN	ASTA	ASPA	1045 Carbon Steel or Equivalent Induction Hardened	—	Alloy Cast Iron Class No.35	Black Oxide or Phosphate Conversion Coat	Set Screw Hex Socket Head Screw	Set Screw Hex Socket Head Screw Cap (P.2230)
MASTN	MASPN	MASTA	MASPA	1045 Carbon Steel or Equivalent	Electroless Nickel Plating	Alloy Cast Iron Class No.35	Electroless Nickel Plating		
KASTN	KASPN	KASTA	KASPA	1045 Carbon Steel or Equivalent	Black Oxide				
SASTN	SASPN	SASTA	SASPA	304 Stainless Steel	—				
ASTNM	—	ASTAM	—	1045 Carbon Steel or Equivalent Induction Hardened	Electroless Nickel Plating	Alloy Cast Iron Class No.35	Electroless Nickel Plating		
MASTNM	—	MASTAM	—	1045 Carbon Steel or Equivalent	—				
SASTNM	—	SASTAM	—	304 Stainless Steel	—				

* Case Induction Hardened (Post): 58 HRC min., Depth 1.0–1.5

* No Electroless Nickel Plating and Black Oxide at ends and grooves of posts.

* For Hex Socket Head Cap Screws, a black oxide bracket matches a black oxide screw, and an electroless nickel plating bracket matches a trivalent chromate screw.

Bracket Only

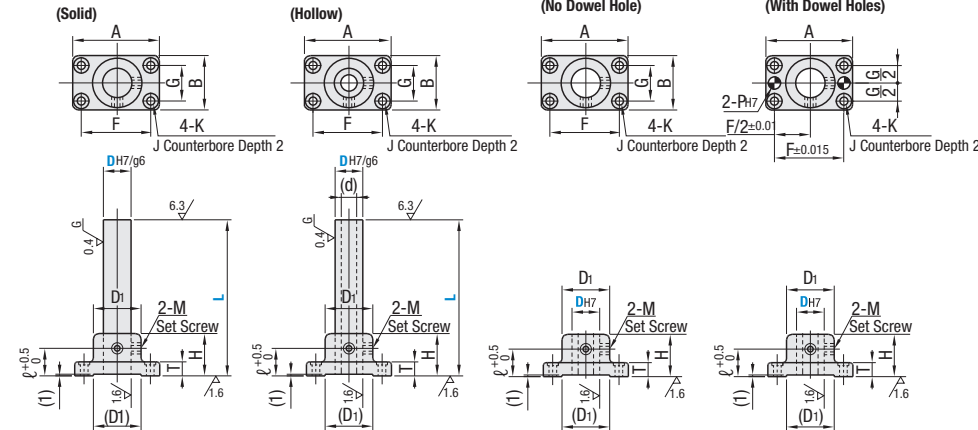
Type		Material	Surface Treatment	Accessories	
No Dowel Hole	With Dowel Holes			No Dowel Hole	With Dowel Holes
ASTF	ASPF	Cast Iron Class No.35	Black Oxide or Phosphate Conversion Coat	Set Screw	Set Screw Dowel Pin (52100 Bearing Steel)
ASTFM	—		Electroless Nickel Plating		

Bracket Only



$$\sqrt{\left(\frac{6.3}{1.6}\right)^2 + \left(\frac{0.4}{0.4}\right)^2}$$

Set (Posts + Brackets)



RoHS10

Device Stands

Square Flange, continued

Part Number	Type	D _{g6}	L Configurable 1 mm Increment	A	B	F	G	D ₁	H	T	ℓ	K	J	M	(d)	Bracket with Dowel Holes only		Accessories Hex Socket Head Cap Screws (Available as Set Only)	
																P _{H7}	Tolerance		Included Dowel Pins (2 Pcs.)
Set (Solid) ASTN MASTN KASTN SASTN ASTNM MASTNM SASTNM (Hollow) ASTA MASTA KASTA SASTA ASTAM MASTAM SASTAM	10	-0.005 -0.014	50–250	56	30	40	14	26	35	12	18	4.5	11	M4	6	—	—	M4-20 x 4 pcs.	
	12	-0.006 -0.017	50–300	62	36	44	18	28	—	—	—	5.5	13	—	—	—	—	M5-20 x 4 pcs.	
	15	-0.006 -0.017	75–350	70	40	50	20	31	40	—	—	6.6	15	M5	10	—	—	M6-25 x 4 pcs.	
	20	-0.007 -0.020	75–400	80	50	60	30	40	45	—	—	6.6	15	M5	11.7	6	+0.012 0	MSTM6-20	M6-25 x 4 pcs.
(Rods with Dowel Holes) ASPN MASPN KASPN SASPN (Pipe with Dowel Holes) ASPA MASPA KASPA SASPA	25	-0.007 -0.020	75–450	100	60	75	36	45	50	12	30	9	18	M6	15.2	8	+0.015 0	MSTM8-20	M8-25 x 4 pcs.
	30	-0.009 -0.025	100–450	106	80	80	40	50	60	—	—	—	—	—	—	—	—	—	M10-35 x 4 pcs.
	35	-0.009 -0.025	125–500	118	80	90	40	55	70	—	—	—	—	—	—	—	—	—	M12-35 x 4 pcs.
Separate Item Bracket Only ASTF ASTFM Bracket Only with Dowel Holes ASPF	40	-0.009 -0.025	150–500	125	95	95	40	60	80	15	40	11	20	M8	22.7	10	+0.015 0	MSTM10-30	M10-35 x 4 pcs.
	50	-0.009 -0.025	200–600	140	100	106	50	70	100	—	—	50	14	24	M10	30.8	—	—	M12-35 x 4 pcs.

ⓘ Bracket ASPF with Dowel Holes is available from D20.

Part Number Example
 Part Number - L
 ASTN40 - 400
 ASTF20

Part Number Alterations
 Part Number - L - (BH)
 ASTA25 - 400 - BH

Alterations	Code	Spec.							
Mounting Holes Enlarged 	BH	Enlarges mounting holes for fine-tuning.		Included Washers (P.2308)					
		Ordering Code: BH		Black Oxide		Electroless Nickel Plating			
	BH	⊗ Not available for Dowel Hole Type. Ⓢ Counterbore Depth is 2mm. Ⓢ 4 screws and washers are included.	D	Included Screws	Adj. Range	d ₁	D ₂		
			10	M4	±1	6	13	WSSB10-4-2	WSSM10-4-2
			12	M5	±1	7	15	WSSB12-5-2	WSSM12-5-2
			15	M6	±1.5	9	18	WSSB14-6-3	WSSM14-6-3
			20	M6	±2	10	20	WSSB16-8-3	WSSM16-8-3
			25	M8	±2	12	22	WSSB20-10-3	WSSM20-10-3
			30	M8	±2.5	15	28	WSSB25-12-5	WSSM25-12-5
			35	M10	±2.5	15	28	WSSB20-10-3	WSSM20-10-3
			40	M10	±3	18	32	WSSB25-12-5	WSSM25-12-5
			50	M12	±3	18	32	WSSB25-12-5	WSSM25-12-5

Bracket Only

D _{H7}	Tolerance	Available Types		
		ASTF	ASTFM	ASPF
10	+0.015 0	•	•	—
12	+0.018 0	•	•	—
15	+0.018 0	•	•	—
20	+0.021 0	•	•	•
25	+0.021 0	•	•	•
30	+0.025 0	•	•	•
35	+0.025 0	•	•	•
40	+0.025 0	•	•	•
50	+0.025 0	•	•	•