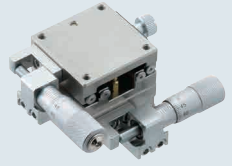


[Standard] Linear Ball Slide

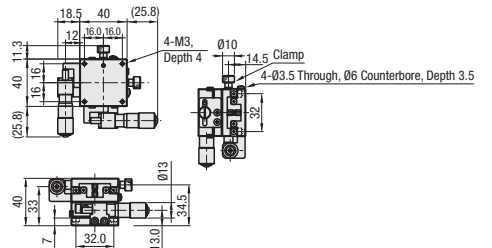
Micrometer Head, *continued*

Other Information about Stages
 Stage Selection Table P.2005
 New Products P.2043-2044
 About Standard Stages P.2009
 Overview, Technical Information P.2008



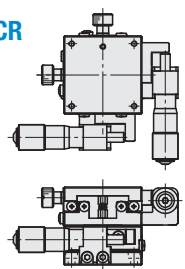
RoHS 10

XYLBS40
(Standard)

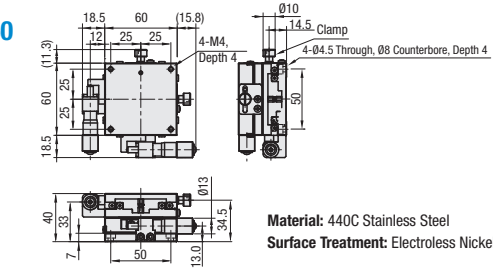


4-M3, Depth 4
 4-Ø3.5 Through, Ø6 Counterbore, Depth 3.5
 14.5 Clamp

XYLBS-CR
(Reversed)



XYLBS60
(Standard)



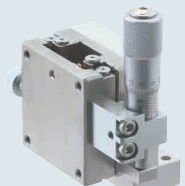
4-M4, Depth 4
 4-Ø4.5 Through, Ø8 Counterbore, Depth 4
 14.5 Clamp

Material: 440C Stainless Steel
Surface Treatment: Electroless Nickel Plating

High Precision Stage Existing Product: XYSG (P.2052)

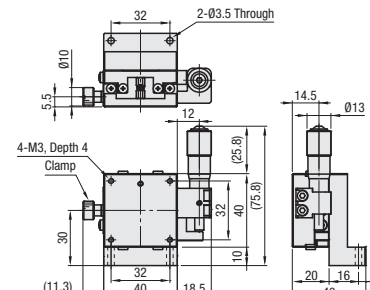
Part Number		Stage Surface (mm)	Travel Distance (mm)	Load Capacity (N)	Minimum Graduation (µm)	Travel Accuracy			Moment Rigidity ("N-cm)			Parallelism (µm)	Weight (kg)	Included Screw (Stainless Steel Hex Socket Low Head Cap Screw)
Type	Micrometer Head Position					Straightness	Pitching	Yawing	Pitching	Yawing	Rolling			
XYLBS40	Not Specified (Standard)	40x40	±6.5	95.6	10	3µm	30"	25"	0.59	0.7	0.59	60	0.48	M3-8, 4 pcs.
XYLBS60	CR (Reversed)	60x60	±6.5	191.6	10	3µm	35"	30"	0.15	0.16	0.15	60	0.88	M4-8, 4 pcs.

Part Number Example
 Part Number
XYLBS40



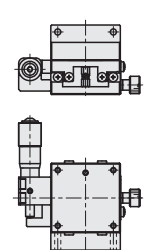
RoHS 10

ZLBS40
(Standard)

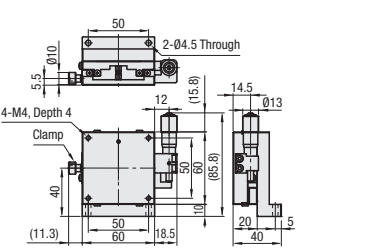


2-Ø3.5 Through
 4-M3, Depth 4
 Clamp
 14.5 Clamp

ZLBS-CR
(Reversed)



ZLBS60
(Standard)



2-Ø4.5 Through
 4-M4, Depth 4
 Clamp
 14.5 Clamp

Material: (Main Body) 440C Stainless Steel, (Bracket) Steel (1018 Carbon Steel or Equivalent)
Surface Treatment: (Main Body) Electroless Nickel Plating, (Bracket) Electroless Nickel Plating

High Precision Stage Existing Product: ZSG (P.2067)

Part Number		Stage Surface (mm)	Travel Distance (mm)	Load Capacity (N)	Minimum Graduation (µm)	Travel Accuracy			Moment Rigidity ("N-cm)			Weight (kg)	Included Screw (Stainless Steel Hex Socket Low Head Cap Screw)
Type	Micrometer Head Position					Straightness	Pitching	Yawing	Pitching	Yawing	Rolling		
ZLBS40	Not Specified (Standard)	40x40	±6.5	19.6	10	3µm	30"	25"	0.38	0.35	0.21	0.43	M3-16, 2 pcs.
ZLBS60	CR (Reversed)	60x60	±6.5	191.6	10	3µm	35"	30"	0.1	0.08	0.05	0.83	M4-16, 2 pcs.

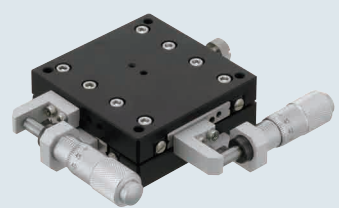
Part Number Example
 Part Number
ZLBS40

[Standard] Cross Roller, Low Profile

Other Information about Stages
 Stage Selection Table P.2005
 New Products P.2043-2044
 About Standard Stages P.2009
 Overview, Technical Information P.2008

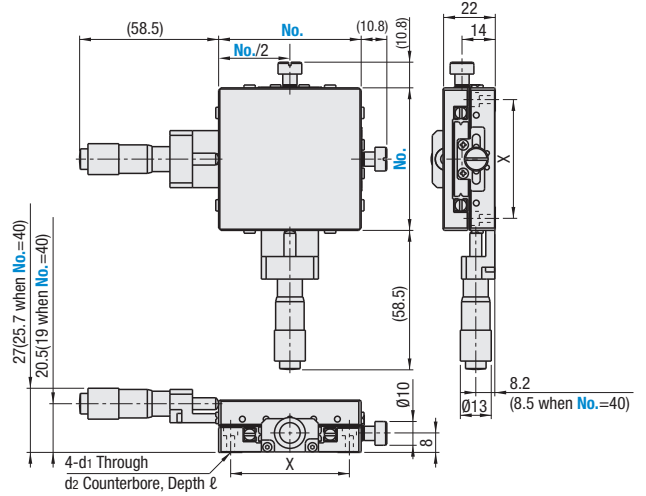
Feature: Economical stage with a micrometer head capable of 0.01mm resolution adjustments. Micrometer head position is selectable from 3 types.

XY-Axis, Low Profile



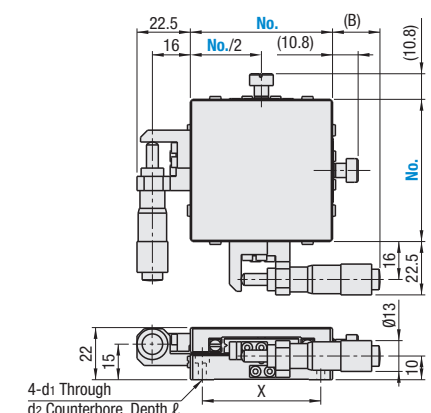
RoHS 10

XYCRSC__-A (Micrometer Head Center Drive)



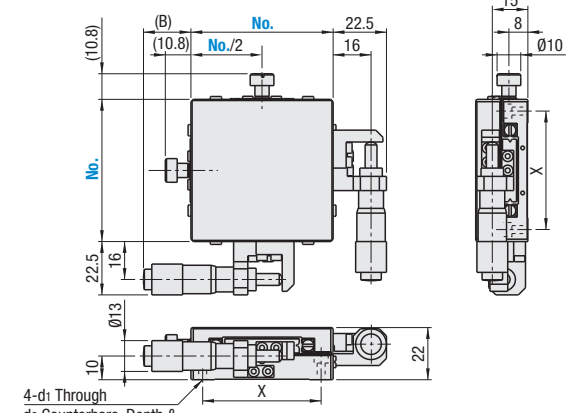
27(25.7 when No.=40)
 20.5(19 when No.=40)
 4-d1 Through
 dz Counterbore, Depth ℓ

XYCRSC__-C (Micrometer Head Side Drive - Standard)



4-d1 Through
 dz Counterbore, Depth ℓ

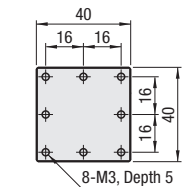
XYCRSC__-CR (Micrometer Head Side Drive - Reversed)



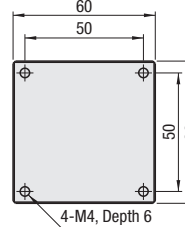
4-d1 Through
 dz Counterbore, Depth ℓ

Mounting Hole Dimensions of the Top Table

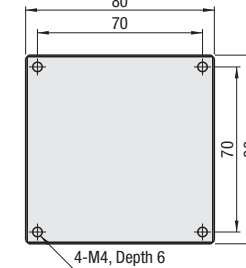
No.40



No.60



No.80



Material: Aluminum Alloy
Surface Treatment: Black Anodize

See the CAD data for the details.

XY-Axis Stages

High Precision Stage Existing Product: XYSYG (P.2057)

Part Number		Stage Surface (mm)	Travel Distance (mm)	Top View		Side View			Load Capacity (N)	Travel Accuracy Straightness	Weight (kg)
Type	No. Micrometer Head Position			(B)	X	d ₁	d ₂	ℓ			
XYCRSC	40	40x40	±6.5	36	32	3.4	6	3.5	9.8	0.2	
	60	60x60	±6.5	20	50	4.5	8	4.5	29.4	0.4	
	80	80x80	±6.5	11	70	4.5	8	4.5	39.2	0.7	

Part Number Example
 Part Number
XYCRSC60-A
XYCRSC80-C