


[High Precision] Dovetail Slide, Feed Screw

Long (Selectable lead) / Compact Carriage (Lead 4.2 mm), *continued*

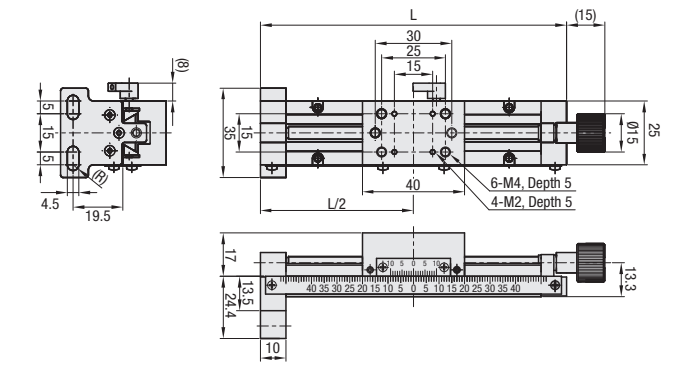
Features: Dovetail Slide Feed Screw stage with selectable screw lead in 2mm, 5mm, 10mm. Suitable for vertical use.

Z-Axis Long
(Selectable lead type)



RoHS 10 X-Axis P.2073

ZLSL



Material: Aluminum Alloy
Surface Treatment: Black Anodize

① The scale in the above figure is for L120, and not for L90,150.
② The external dimensions will be the same if L is the same, even if the move distance per knob rotation is different.

Part Number Type	No.	Travel per Rotation (mm)	Travel Distance (mm)	L	Travel Accuracy (μm)		Weight (kg)
					Straightness		
ZLSL	90	2	±27	90	30	30	0.18
		5					
		10					
	120	2	±42	120			
		5					
		10					
150	5	±57	150	40	0.22		
	10						

- ① Resolution (Vernier Scale Indication): 0.1 mm/division
- ② Knob Cover HDCVR15 (Sold Separately): Ø15 knobs can be increased in diameter by installing the cover. P.2011
- ③ Adjustable Plate XPLT40: Use this plate when connecting stages with non-matching mounting holes. P.2022

Part Number Example


Part Number	ZLSL90-5
-------------	----------

[Standard] Rotary Stages

Other Information about Stages
 Stage Selection Table P.2005
 New Products P.2043-2044
 About Standard Stages P.2009
 Overview, Technical Information P.2008

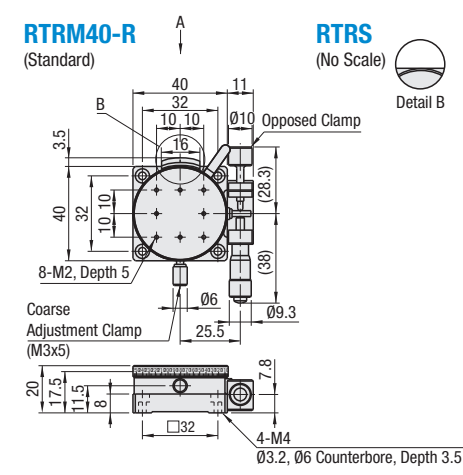
Feature: Micrometer equipped rotary stages capable of fine feeds after rough adjustment.

Rotary

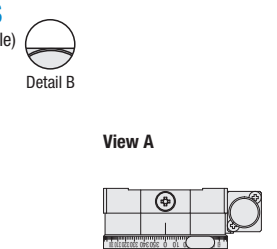


RoHS 10

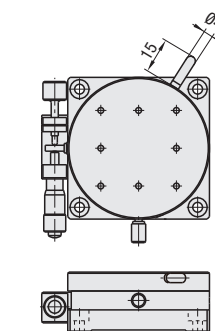
RTRM40-R
(Standard)



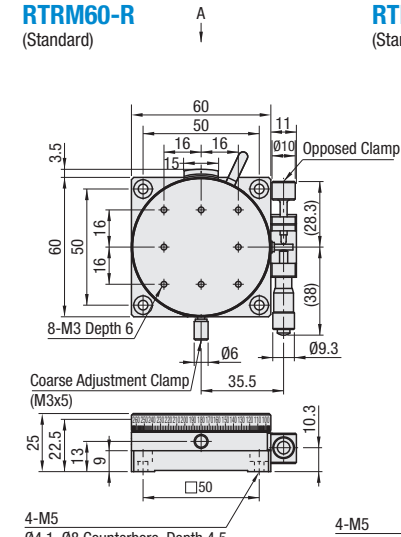
RTRS
(No Scale)



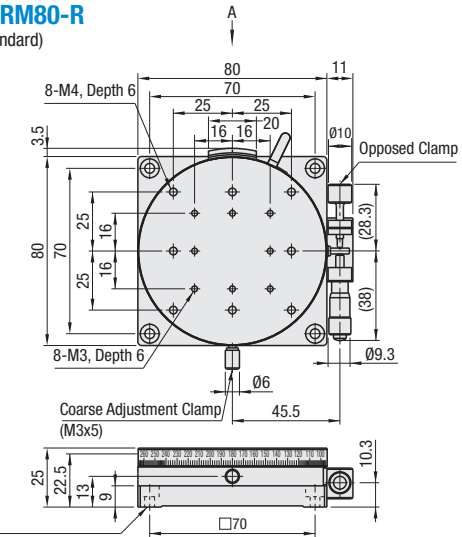
RTR--L
(Reversed)



RTRM60-R
(Standard)



RTRM80-R
(Standard)



① See the CAD data for the details.

Material: Aluminum Alloy
Surface Treatment: Black Anodize

Rotary Stages

① High Precision Stage Existing Product: RPG (P.2097)

Type	Part Number		Stage Surface (mm)	Rotation	Load Capacity (N)	Weight (kg)
	No.	Micrometer Head Position				
RTRM (W/ Scale)	40	R (Standard)	Ø40	Coarse 360° Fine Feed ±5°	9.8	0.10
RTRS (No Scale)	60	L (Reversed)	Ø60		29.4	0.27
	80		Ø80		39.2	0.46

① Bottom plate can be mounted from the top or the bottom.

Part Number Example

Part Number	RTRM40-R RTRS60-L
-------------	----------------------