


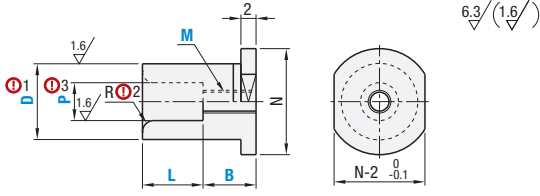
Bushings for Inspection Jigs

Retaining Threaded Bushings

Feature: This bushing is machined to prevent from being pulled up when clamped.
Applicable Pins: refer to P.1822



	Material	Hardness	Type
Standard Type (D _{0.02})	JIS-SKS93 Tool Steel	50-60 HRC min.	KJBNM
Press Fit Type (D _{0.06})	JIS-SKS93 Tool Steel	50-60 HRC min.	KJBPNM



1. Press-fit type has a 1-3 mm guide part (D_{0.03}).
 2. When thickness is 2 mm or less ((D-P)/2 ≤ 2), R is 0.5. When L ≤ 4, there is no R.
 3. When P=M, inner diameter of P dimension will have thread runout.

Part Number		P	M (P ≥ M)	L	B	N	R
Type	D	0.01 mm Increment	Selection	1 mm Increment	1 mm Increment		
Standard (D _{0.02}) KJBNM	8	3.00-6.00	3 4	0 When L=0, specify P=0. 3-25 When P ≤ 3.59 L ≤ P × 2.5 When P ≥ 3.60 L ≤ P × 3	5-25 M ≤ B ≤ M × 3 When M3 M ≤ B ≤ M × 2	D+4	1.0
	10	4.00-8.00	4 5 6 8				2.0
	12	4.00-10.00	4 5 6 8 10				
Press Fit (D _{0.06}) KJBPNM	16	8.00-14.00	5 6 8 10 12				2.0
	20	10.00-18.00					
	25	15.00-23.00					

Part Number Example

Part Number	P	M	L	B
KJBNM 10 - P5.00 - M4 - L15 - B10				

Part Number Alterations

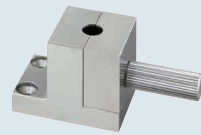
Part Number	P	M	L	B	(STC / RN / CRN)
KJBNM12 - P6.00 - M5 - L15 - B10 - RN					

Alterations	Code	Spec.
Additional Surface Treatment (Black Oxide)	STC	Adds Black Oxide Surface Treatment.
Radius R Chamfered	RN	Adds C Chamfering (0.5 or less) to R.
Radius R Square Corner	CRN	Replaces R with square corner. Edge may be burred.

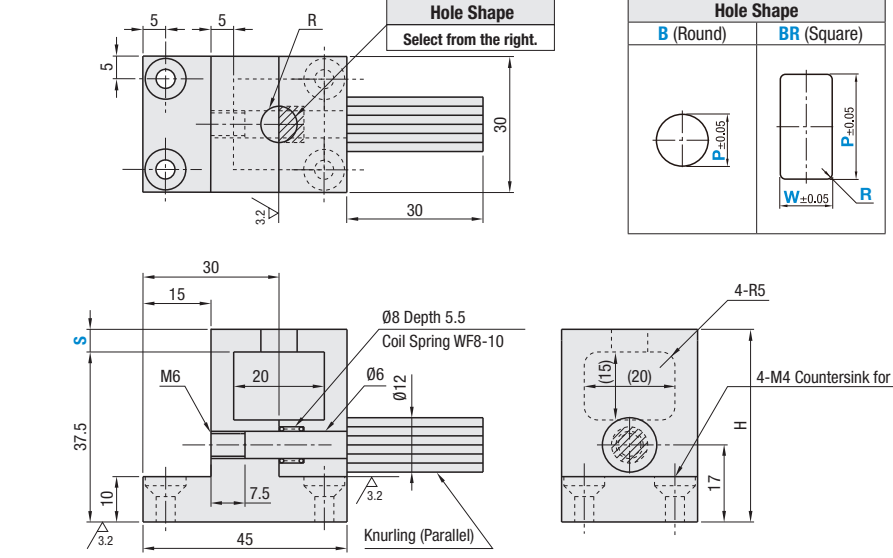
Locating Blocks for Inspection Jigs

Clip Detaching Blocks for Plastic Panels

Feature: This block facilitates removal and attachment of clips for plastic panels.



KJRSB Round
KJRSBR Square



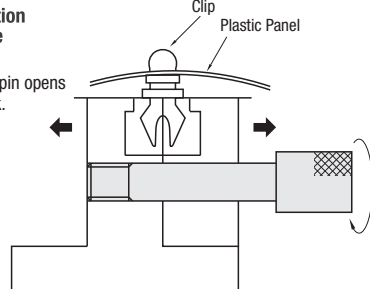
Material: 1045 Carbon Steel or Equivalent

Type	Part Number	All Types		Square R 0.05 mm Increment	S 0.05 mm Increment	H
		P 0.05 mm Increment	Oval, Square W 0.05 mm Increment			
KJRS	Round B Square BR	3.00-22.00	Oval: P > W (W ≥ 3.00) Square: P ≥ W (W ≥ 3.00)	0.2 ≤ R ≤ W/2	0.5-5.00	S+37.5

Part Number Example

Part Number	P	W	R	S
KJRSB - P10.0 - W6.00 - R2.0 - S1.65				

Application Example



Turning the knurled pin opens and closes the block.