

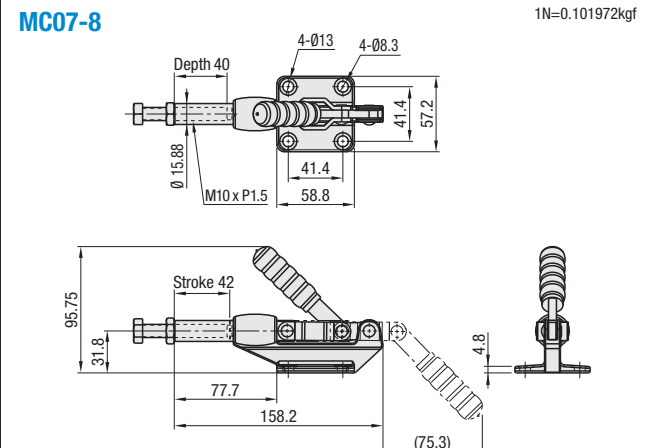
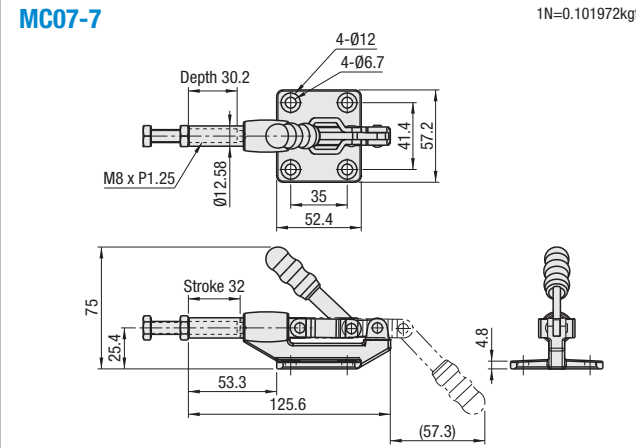


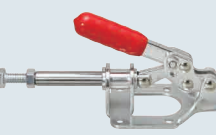
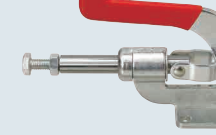
Toggle Clamps

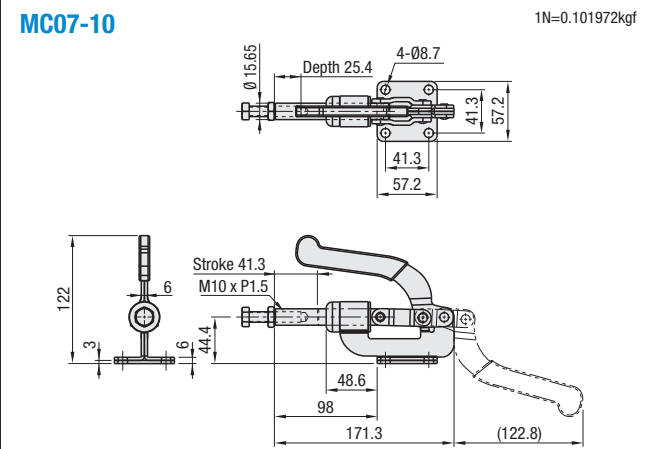
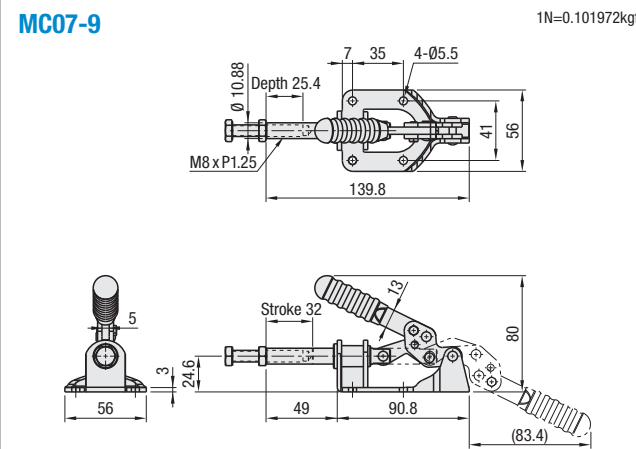
Side Push (Flange Base)

Features: Please select a product suitable in stroke and clamping force. MC07-9 is a lightweight type with a hollow mount base.

Side Push (Flange Base)	Part Number	MC07-7	Side Push (Flange Base)	Part Number	MC07-8
	Body Material	Main Body: 1018 Carbon Steel or Equivalent/ Attaching Portion: 65-45-12 S.G. Cast Iron		Body Material	Main Body: 1018 Carbon Steel or Equivalent/ Attaching Portion: 65-45-12 S.G. Cast Iron
	Surface Treatment	Main Body: *Trivalent Chromate / Attaching Portion: Chemical Conversion Coating		Surface Treatment	Main Body: *Trivalent Chromate / Attaching Portion: Chemical Conversion Coating
	Tightening Force (N)	32		Tightening Force (N)	42
	Weight (g)	2270		Weight (g)	3860
	Open-Close Angle of Arm	340		Open-Close Angle of Arm	580
	Open-Close Angle of Handle	186°		Open-Close Angle of Handle	184°
	Accessories	Steel Bolt		Accessories	Steel Bolt



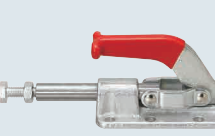

Side Push (Flange Base)	Part Number	MC07-9	Side Push (Flange Base)	Part Number	MC07-10
	Body Material	1018 Carbon Steel or Equivalent		Body Material	1018 Carbon Steel or Equivalent
	Surface Treatment	*Trivalent Chromate		Surface Treatment	*Trivalent Chromate
	Tightening Force (N)	32		Tightening Force (N)	41.3
	Weight (g)	1360		Weight (g)	3640
	Open-Close Angle of Arm	300		Open-Close Angle of Arm	800
	Open-Close Angle of Handle	181°		Open-Close Angle of Handle	181°
	Accessories	Steel Bolt		Accessories	Steel Bolt

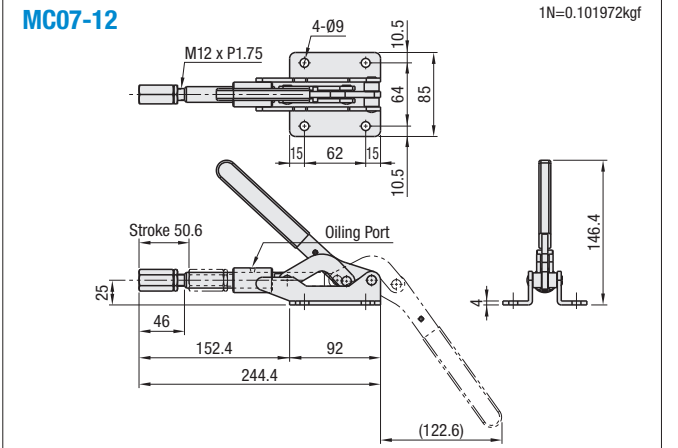
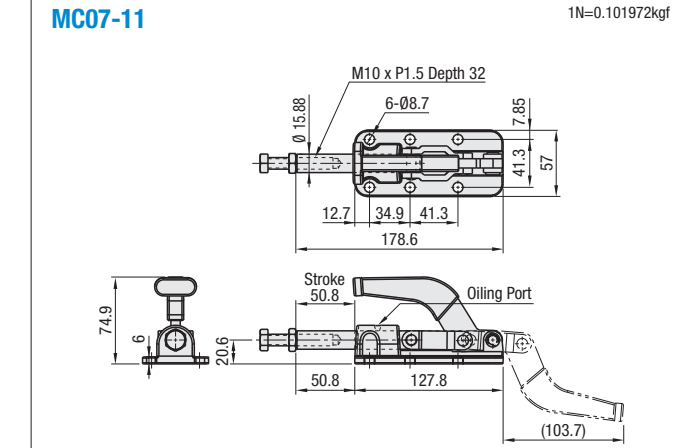



Toggle Clamps

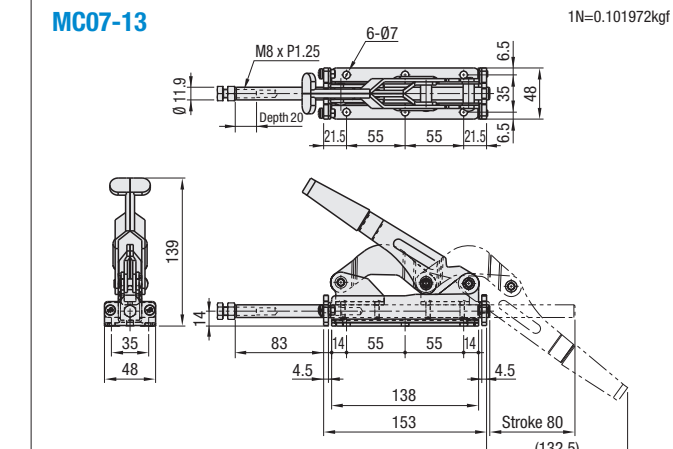
Side Push (Flange Base)

Features: MC07-11 and MC07-13, each having a shorter vertical base length, requires smaller installation space.
Features: MC07-12, having the same shape as MC07-16 (P.1798), is larger in size and clamping force and longer stroke.

Side Push (Flange Base)	Part Number	MC07-11	Side Push (Flange Base)	Part Number	MC07-12
	Body Material	1018 Carbon Steel or Equivalent		Body Material	1018 Carbon Steel or Equivalent
	Surface Treatment	*Trivalent Chromate		Surface Treatment	*Trivalent Chromate
	Tightening Force (N)	50.8		Tightening Force (N)	50.6
	Weight (g)	11360		Weight (g)	4540
	Open-Close Angle of Arm	935		Open-Close Angle of Arm	965
	Open-Close Angle of Handle	190°		Open-Close Angle of Handle	185°
	Accessories	Steel Bolt		Accessories	Nut



Side Push (Flange Base)	Part Number	MC07-13
	Body Material	1018 Carbon Steel or Equivalent
	Surface Treatment	*Trivalent Chromate
	Tightening Force (N)	80
	Weight (g)	3000
	Open-Close Angle of Arm	1000
	Open-Close Angle of Handle	184°
	Accessories	Steel Bolt



Application Example

