
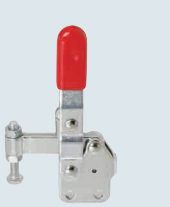
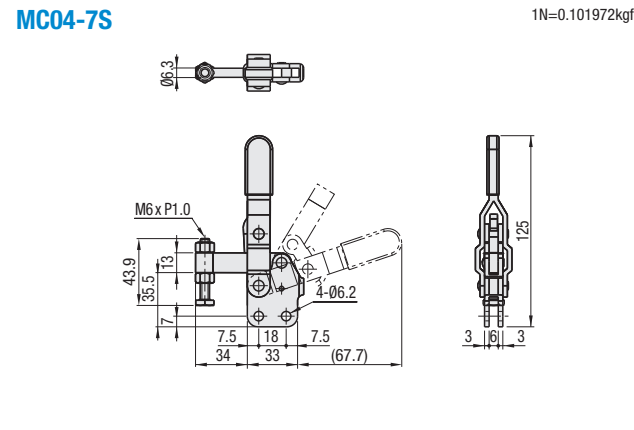
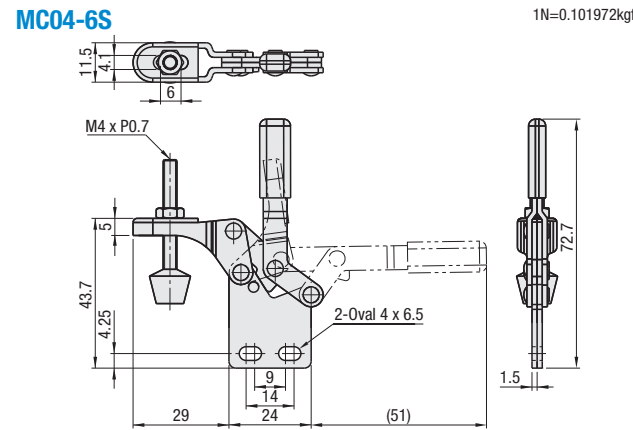




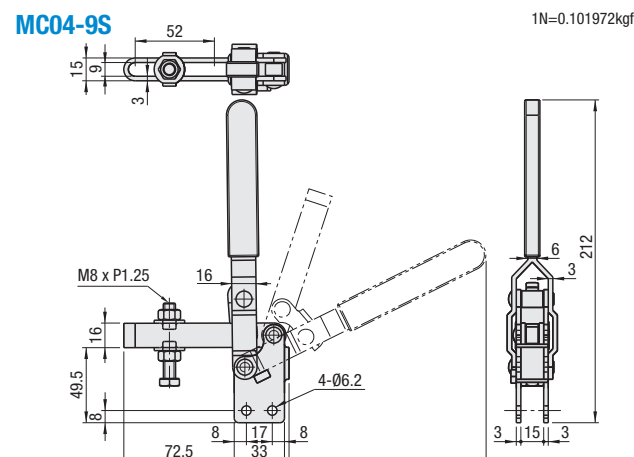
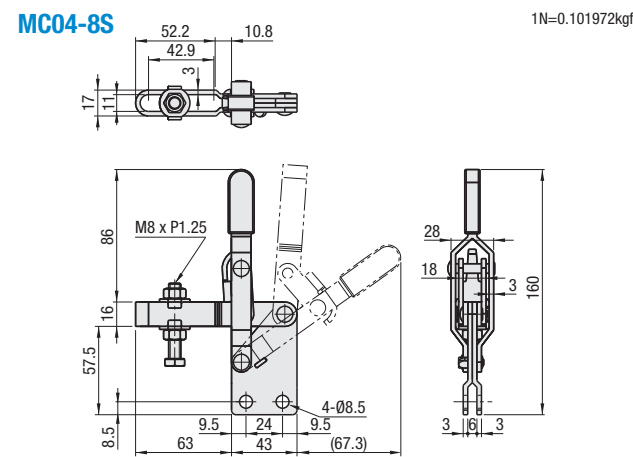
# Toggle Clamps

## Hold Down, Vertical Handle (Straight Base)

 Hold Down, Vertical Handle (Straight Base)	Part Number	<b>MC04-6S</b>	 Hold Down, Vertical Handle (Straight Base)	Part Number	<b>MC04-7S</b>
	Body Material	1018 Carbon Steel or Equivalent		Body Material	1018 Carbon Steel or Equivalent
	Surface Treatment	Trivalent Chromate		Surface Treatment	Trivalent Chromate
	Tightening Force (N)	294		Tightening Force (N)	980
	Weight (g)	40		Weight (g)	200
	Open-Close Angle of Arm	85°		Open-Close Angle of Arm	105°
	Open-Close Angle of Handle	90°		Open-Close Angle of Handle	67°
	Accessories	Bolt with Rubber Material: NBR Nitrile Rubber Hardness: Shore A70		Accessories	Steel Bolt

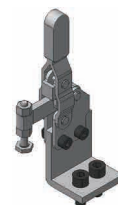


 Hold Down, Vertical Handle (Straight Base)	Part Number	<b>MC04-8S</b>	 Hold Down, Vertical Handle (Straight Base)	Part Number	<b>MC04-9S</b>
	Body Material	1018 Carbon Steel or Equivalent		Body Material	1018 Carbon Steel or Equivalent
	Surface Treatment	Trivalent Chromate		Surface Treatment	Trivalent Chromate
	Tightening Force (N)	1470		Tightening Force (N)	1960
	Weight (g)	370		Weight (g)	420
	Open-Close Angle of Arm	98°		Open-Close Angle of Arm	108°
	Open-Close Angle of Handle	56°		Open-Close Angle of Handle	71°
	Accessories	Steel Bolt		Accessories	Steel Bolt



Part Number Example **MC04-7S**



Application Example

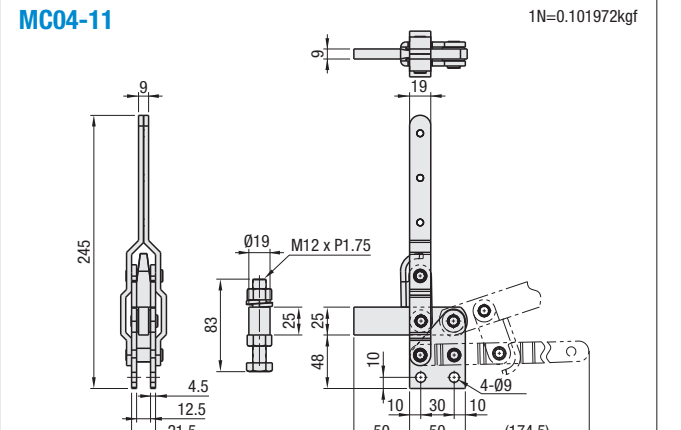
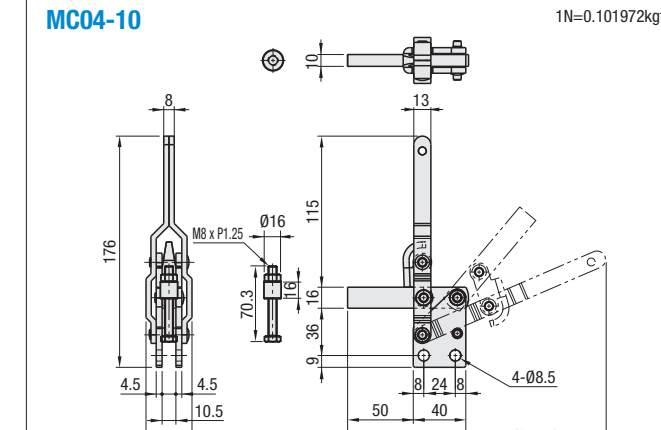




# Toggle Clamps

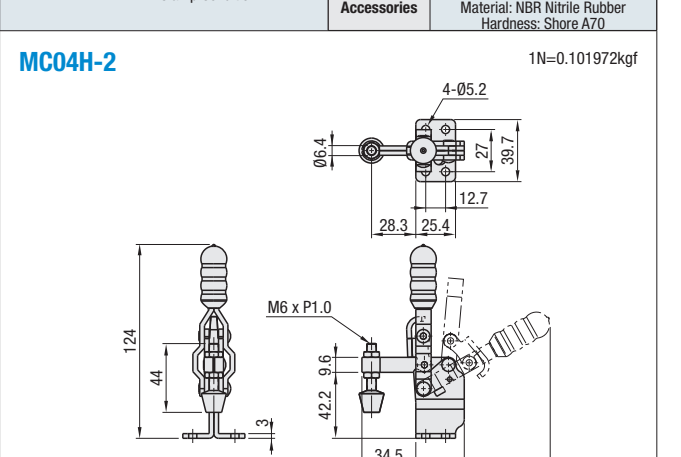
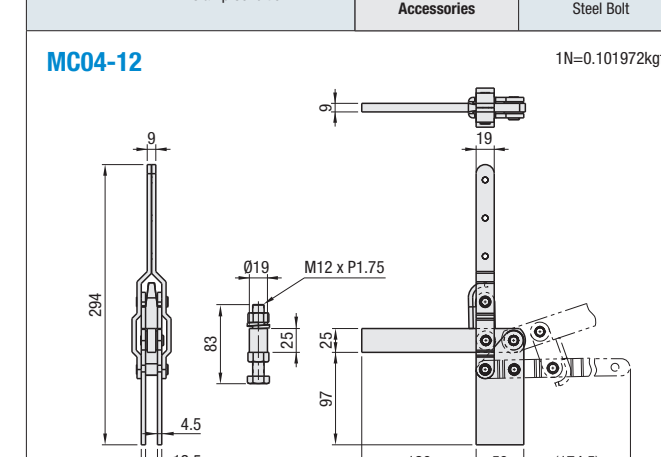
## Hold Down, Vertical Handle, Welded Tip (Straight Base) / High Arm Type (Flange Base)

Feature: Welded Tip Type (MC04-10, MC04-11, MC04-12) allows a screw to be fixed at any desired position to be easily fit in fixture designs. High Arm Type (MC04H-2) is adjustable without spacers because it has an arm position 20mm higher compared to the conventional products (MC04-2).

 Hold Down, Vertical Handle Welded Tip Screw (Straight Base)	Part Number	<b>MC04-10</b>	 Hold Down, Vertical Handle Welded Tip Screw (Straight Base)	Part Number	<b>MC04-11</b>
	Body Material	1018 Carbon Steel or Equivalent		Body Material	1018 Carbon Steel or Equivalent
	Surface Treatment	Trivalent Chromate		Surface Treatment	Trivalent Chromate
	Tightening Force (N)	1500		Tightening Force (N)	3500
	Weight (g)	430		Weight (g)	960
	Open-Close Angle of Arm	132°		Open-Close Angle of Arm	164°
	Open-Close Angle of Handle	68°		Open-Close Angle of Handle	91°
	Accessories	Steel Bolt		Accessories	Steel Bolt



 Hold Down, Vertical Handle Welded Tip Screw (Straight Base)	Part Number	<b>MC04-12</b>	 Hold Down, Vertical Handle High Arm (Flange Base)	Part Number	<b>MC04H-2</b>
	Body Material	1018 Carbon Steel or Equivalent		Body Material	1018 Carbon Steel or Equivalent
	Surface Treatment	Trivalent Chromate		Surface Treatment	Trivalent Chromate
	Tightening Force (N)	4000		Tightening Force (N)	910
	Weight (g)	1250		Weight (g)	170
	Open-Close Angle of Arm	166°		Open-Close Angle of Arm	98°
	Open-Close Angle of Handle	91°		Open-Close Angle of Handle	62°
	Accessories	Steel Bolt		Accessories	Bolt with Rubber Material: NBR Nitrile Rubber Hardness: Shore A70



Part Number Example **MC04-11** **MC04H-2**

Application Example

