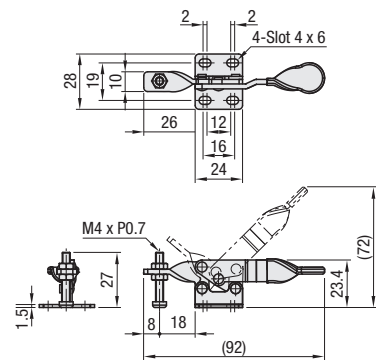


# Toggle Clamps

## Hold Down, Horizontal Handle (Flange Base)

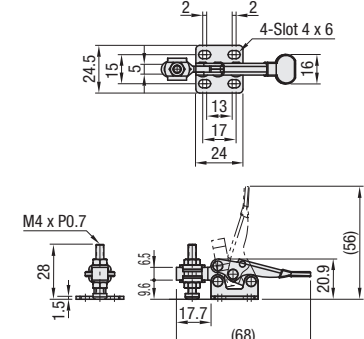
Hold Down, Horizontal Handle – Flange Base	Part Number	MC01-5		Hold Down, Horizontal Handle – Flange Base	Part Number	MC01-6	MC01-S6	Hold Down, Horizontal Handle – Flange Base	Part Number	MC01-7	
	Body Material	1018 Carbon Steel or Equivalent			Body Material	1018 Carbon Steel or Equivalent	304 Stainless Steel		Body Material	1018 Carbon Steel or Equivalent	
	Surface Treatment	Trivalent Chromate			Surface Treatment	Trivalent Chromate	—		Surface Treatment	Trivalent Chromate	
	Tightening Force (N)	196			Tightening Force (N)	196			Tightening Force (N)	294	
	Weight (g)	30			Weight (g)	30			Weight (g)	100	
	Open-Close Angle of Arm	71°			Open-Close Angle of Arm	75°			Open-Close Angle of Arm	74°	
	Open-Close Angle of Handle	76°			Open-Close Angle of Handle	73°			Open-Close Angle of Handle	75°	
Accessories	Steel Bolt		Accessories	Steel Bolt	Stainless Steel Bolt	Accessories	Steel Bolt				

**MC01-5** 1N=0.101972kgf

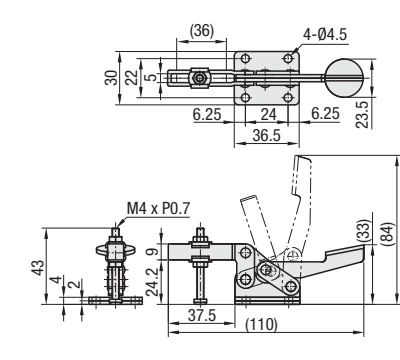


**MC01-6** 1N=0.101972kgf

**MC01-S6** Stainless Steel



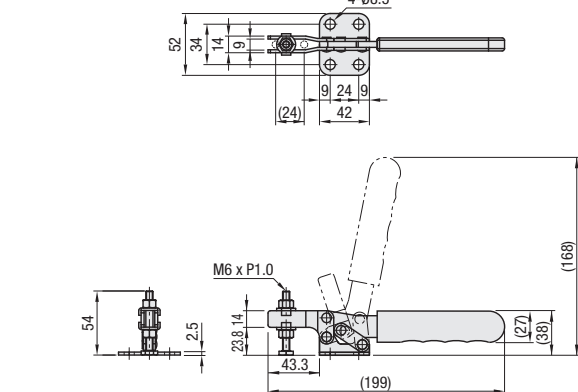
**MC01-7** 1N=0.101972kgf



Hold Down – Horizontal Handle (Flange Base)	Part Number	MC01-8	MC01-S8	Hold Down – Horizontal Handle (Flange Base)	Part Number	MC01-9	MC01-S9
	Body Material	1018 Carbon Steel or Equivalent	304 Stainless Steel		Body Material	1018 Carbon Steel or Equivalent	304 Stainless Steel
	Surface Treatment	Trivalent Chromate			Surface Treatment	Trivalent Chromate	
	Tightening Force (N)	2450			Tightening Force (N)	2744	
	Weight (g)	210			Weight (g)	435	
	Open-Close Angle of Arm	79°			Open-Close Angle of Arm	81°	
	Open-Close Angle of Handle	86°			Open-Close Angle of Handle	89°	
Accessories	Steel Bolt	Stainless Steel Bolt	Accessories	Steel Bolt	Stainless Steel Bolt		

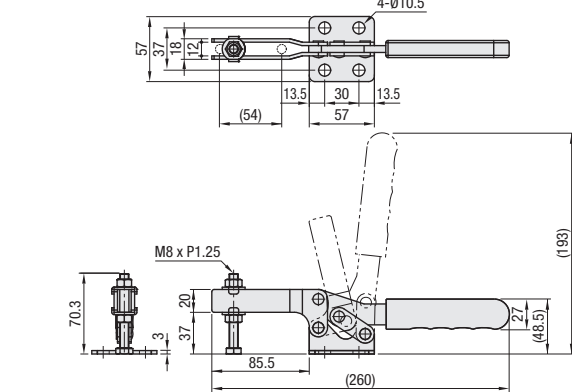
**MC01-8** 1N=0.101972kgf

**MC01-S8** Stainless Steel



**MC01-9** 1N=0.101972kgf

**MC01-S9** Stainless Steel



Part Number Example  Part Number **MC01-6** **MC01-S8**

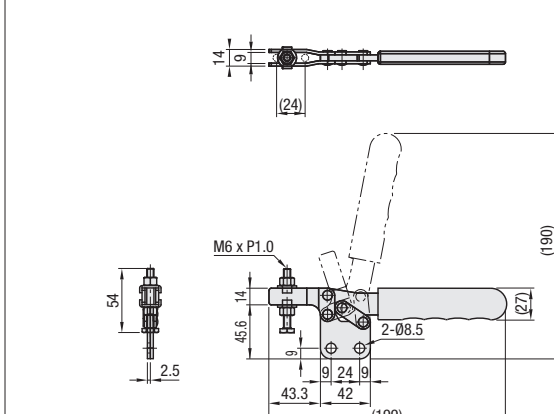
# Toggle Clamps

## Hold Down, Horizontal Handle (Straight Base / Side Mount Base / Flange Base)

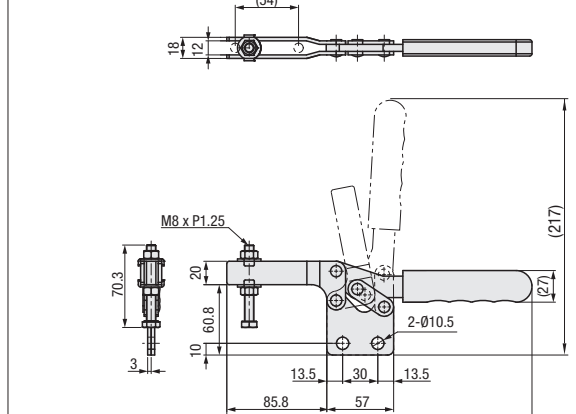
Features: MC01-11 is Side Mount Base Type. MC01-12 and MC01-13 each have a high clamping force.

Hold Down – Horizontal Handle (Straight Base)	Part Number	MC01-8S		Hold Down – Horizontal Handle (Straight Base)	Part Number	MC01-9S	
	Body Material	1018 Carbon Steel or Equivalent			Body Material	1018 Carbon Steel or Equivalent	
	Surface Treatment	Trivalent Chromate			Surface Treatment	Trivalent Chromate	
	Tightening Force (N)	2450			Tightening Force (N)	2744	
	Weight (g)	210			Weight (g)	435	
	Open-Close Angle of Arm	79°			Open-Close Angle of Arm	81°	
	Open-Close Angle of Handle	86°			Open-Close Angle of Handle	89°	
Accessories	Steel Bolt		Accessories	Steel Bolt			

**MC01-8S** Straight Base 1N=0.101972kgf

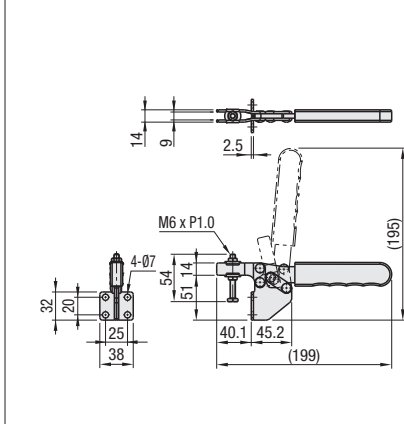


**MC01-9S** Straight Base 1N=0.101972kgf

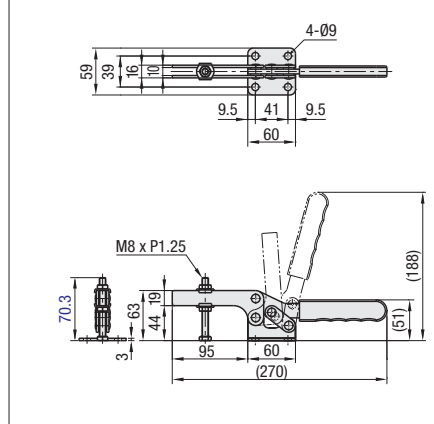


Hold Down – Horizontal Handle (Side Mount Base)	Part Number	MC01-11		Hold Down – Horizontal Handle (Flange Base)	Part Number	MC01-12	Hold Down – Horizontal Handle (Flange Base)	Part Number	MC01-13		
	Body Material	1018 Carbon Steel or Equivalent			Body Material	1018 Carbon Steel or Equivalent		Trivalent Chromate	Body Material	1018 Carbon Steel or Equivalent	
	Surface Treatment	Trivalent Chromate			Surface Treatment	Trivalent Chromate		Surface Treatment	Trivalent Chromate		
	Tightening Force (N)	2500			Tightening Force (N)	2800		Tightening Force (N)	5000		
	Weight (g)	210			Weight (g)	530		Weight (g)	635		
	Open-Close Angle of Arm	77°			Open-Close Angle of Arm	88°		Open-Close Angle of Arm	66°		
	Open-Close Angle of Handle	87°			Open-Close Angle of Handle	79°		Open-Close Angle of Handle	82°		
Accessories	Steel Bolt		Accessories	Steel Bolt		Accessories	Steel Bolt				

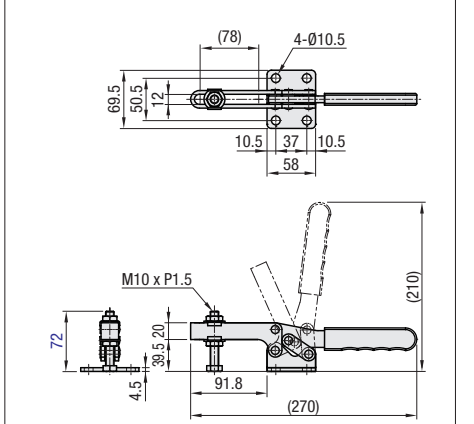
**MC01-11** 1N=0.101972kgf



**MC01-12** 1N=0.101972kgf



**MC01-13** 1N=0.101972kgf



Part Number Example  Part Number **MC01-11** **MC01-12**

Application Example

