


# Holders for Locating Pins

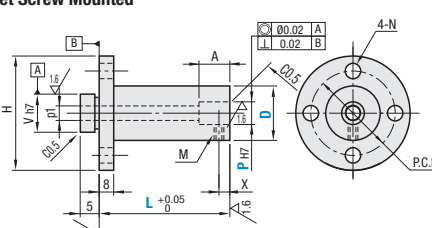
Round / Compact Flange



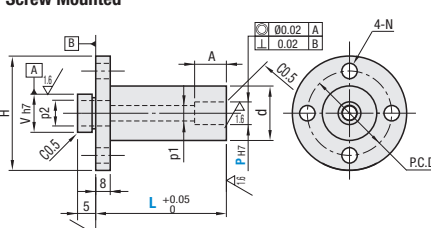
**Holders for Locating Pins – Round Type**

Set Screw Mounted	Screw Mounted	Material	Surface Treatment
<b>M-LPHT</b>	<b>M-LPHB</b>	1045 Carbon Steel or Equivalent	Black Oxide

Set Screw Mounted



Screw Mounted




25 / (1.6 / √)

## Set Screw Mounted and Screw Mounted

Part Number	Type	P	L 0.1 mm Increment	D	V	p <sub>1</sub>	p <sub>2</sub>	*A	M (Coarse)	X	N	P.C.D.	H
Set Screw Mounted <b>M-LPHT</b>	6	20.0–100.0	12	12	3.5	6.5	10	M3	4.5	5	4.5	30	39
	8	25.0–100.0	15	15	5.5	9.5	15	M4					
	10	30.0–100.0	17	18	20	22	7		34	44			
	12	30.0–100.0	18	20	24	24					6.5	43	53
Screw Mounted <b>M-LPHB</b>	13	40.0–150.0	20	20	9	14	22		M4	7			
	16	40.0–150.0	27	20	9	14	24						
	20	45.0–200.0	32	20	9	14	24						
	20	45.0–200.0	32	20	9	14	24						

\*When using with Locating Pin, L dimension (and under-head length) ≤ A dimension (shown above).



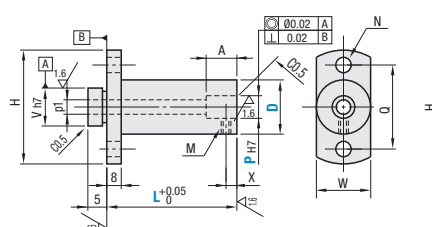
**Holders for Locating Pins – Compact Flange**

Set Screw Mounted	Screw Mounted	Material	Surface Treatment
<b>LPHT</b>	<b>LPHB</b>	1045 Carbon Steel or Equivalent	Black Oxide

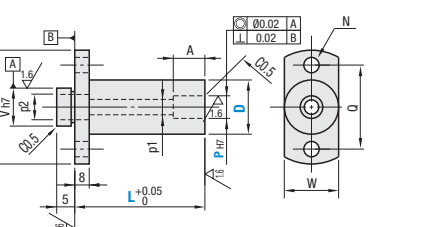
When P dimension 6–12 with L>100, concentricity is 0.05 and L dimension tolerance is +0.10.

25 / (1.5 / √)

Set Screw Mounted



Screw Mounted



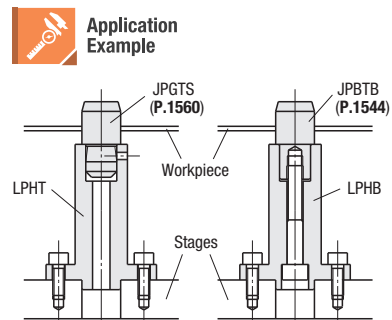
## Set Screw Mounted and Screw Mounted

Part Number	Type	P	L 0.1 mm Increment	D	V	*p <sub>1</sub>	p <sub>2</sub>	*A	M (Coarse)	X	N	Q	H	W
Set Screw Mounted <b>LPHT</b>	6	20.0–150.0	12	12	3.5	6.5	10	M3	4.5	5	4.5	30	39	13
	8	25.0–150.0	15	15	5.5	9.5	15	M4						
	10	30.0–150.0	17	18	20	22	7		34	44	19			
	12	30.0–150.0	18	20	24	24						6.5	43	53
Screw Mounted <b>LPHB</b>	13	40.0–150.0	20	20	9	14	22		M4	7	49			
	16	40.0–150.0	27	20	9	14	24							
	20	45.0–200.0	32	20	9	14	24							
	20	45.0–200.0	32	20	9	14	24							

\*When using with Locating Pin, L dimension (under-head length) ≤ A dimension (shown above)


\* For P=6, p<sub>1</sub> of L>100 is 5; for P=8, 10 and 12, p<sub>1</sub> of L>100 is 7.

Part Number Example: LPHT8 - L30.0



# Support Pins

with Pilot

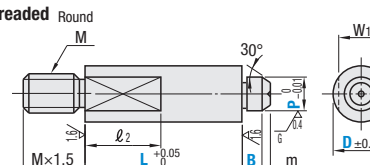


**Support Pins – with Pilot**

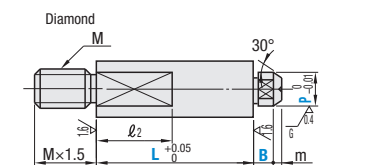
Type	Shape Code	Material Code	Material	Surface Treatment	Hardness
SHP (Round)	C (Threaded) A (Tapped) B (Pilot)	B	(1) 1045 Carbon Steel or Equivalent	Black Oxide	—
		R	(2) 1045 Carbon Steel or Equivalent	Hard Chrome Plating	Plating Hardness: 750 HV min.
		HB	(3) 1045 Carbon Steel or Equivalent	Black Oxide	Treated Hardness: 45–50 HRC min.
SDP (Diamond)	C (Threaded) A (Tapped) B (Pilot)	HR	(4) 1045 Carbon Steel or Equivalent	Hard Chrome Plating	Treated Hardness: 45–50 HRC min. Plating Hardness: 750 HV min.
		SU	(5) 304 Stainless Steel	—	—
		C	(6) 440C or 420 Stainless Steel	—	Treated Hardness: 50–55 HRC min.

Some combinations are not available. Refer to the price list to select the available combination.

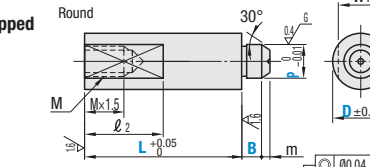
Threaded Round



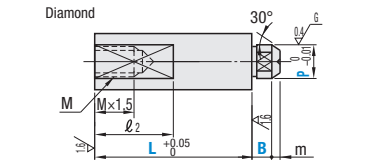
Diamond



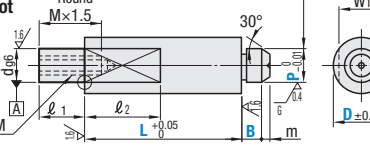
Tapped Round



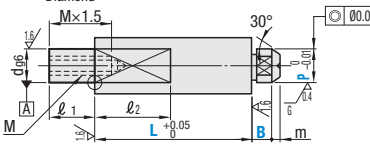
Diamond



Pilot Round



Diamond



Part Number	Type	Shape Code	Material Code	D	L 0.01mm Increment	P 0.01mm Increment	B Selection	m	d	M (Coarse)	L <sub>1</sub>	W <sub>1</sub>	(W)	L <sub>2</sub>
SHP (Round)	C (Threaded) A (Tapped) B (Pilot)	B R HB HR SU C	B R HB HR SU C	6	10.00–50.00	3.00–4.00	2	1	—	M3	—	5	1.0	8
				8										
				10	6	8	M5	6	8	1.5				
				12							10	1.8		
				15	20.00–80.00	4.00–8.00	3	10	M8	9			13	2.2
				20							17	2.5		
25	8.00–15.00	8.00–15.00	4	16	M10	10	20	3						

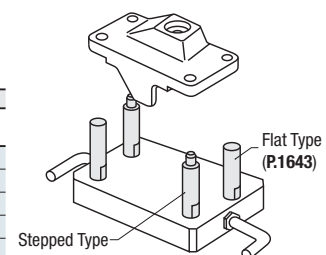
Pilot Type is not available for D6, 8.

Note the strength of under-head part. P.1542

The tightening torque (ref. value) for hardened products is strength class 8.8. (See technical data on MISUMI 2019 catalog P.4015). Not applicable when using locking agents or spring washers.

Part Number Example: SDPBSU20 - L50.00 - P8.00 - B3  
SHPBB10 - L20.01 - P4.05 - B5

Application Example



## Round Shape

D	Available Types Threaded Type						Available Types Tapped Type						Available Types Pilot Type					
	(1) SHPCB	(2) SHPCR	(3) SHPCB	(4) SHPCR	(5) SHPCSU	(6) SHPC	(1) SHPAB	(2) SHPAR	(3) SHPAHB	(4) SHPAHR	(5) SHPASU	(6) SHPAC	(1) SHPBB	(2) SHPBR	(3) SHPBHB	(4) SHPBHR	(5) SHPBSU	(6) SHPBC
6	•	•	•	•	•	•	•	•	•	•	•	•	•	•	•	•	•	•
8	•	•	•	•	•	•	•	•	•	•	•	•	•	•	•	•	•	•
10	•	•	•	•	•	•	•	•	•	•	•	•	•	•	•	•	•	•
12	•	•	•	•	•	•	•	•	•	•	•	•	•	•	•	•	•	•
15	•	•	•	•	•	•	•	•	•	•	•	•	•	•	•	•	•	•
20	•	•	•	•	•	•	•	•	•	•	•	•	•	•	•	•	•	•
25	•	•	•	•	•	•	•	•	•	•	•	•	•	•	•	•	•	•

## Diamond Shape

D	Available Types Threaded Type						Available Types Tapped Type						Available Types Pilot Type					
	(1) SDPCB	(2) SDPCR	(3) SDPCB	(4) SDPCR	(5) SDPCSU	(6) SDPC	(1) SDPAB	(2) SDPAR	(3) SDPAHB	(4) SDPAHR	(5) SDPASU	(6) SDPAC	(1) SDPBB	(2) SDPBR	(3) SDPBHB	(4) SDPBHR	(5) SDPBSU	(6) SDPBC
6	•	•	•	•	•	•	•	•	•	•	•	•	•	•	•	•	•	•
8	•	•	•	•	•	•	•	•	•	•	•	•	•	•	•	•	•	•
10	•	•	•	•	•	•	•	•	•	•	•	•	•	•	•	•	•	•
12	•	•	•	•	•	•	•	•	•	•	•	•	•	•	•	•	•	•
15	•	•	•	•	•	•	•	•	•	•	•	•	•	•	•	•	•	•
20	•	•	•	•	•	•	•	•	•	•	•	•	•	•	•	•	•	•
25	•	•	•	•	•	•	•	•	•	•	•	•	•	•	•	•	•	•