

Plastic Chain Conveyors

Single Track, End Drive, 3-Slot Frame (Sprocket Dia. 57mm)

Features: Use of Plastic Chains prevents scratches, and makes for easy maintenance.

Plastic Chain Conveyors – Single Track, End Drive, 3-Slot Frame (Sprocket Dia. 57mm)



	Frame	Motor Cover	Pulley Holder	Plastic Chain
Material	Aluminum	Aluminum	5052 Aluminum Alloy	Polyacetal
Surface Treatment	Clear Anodize	Paint	Clear Anodize	-

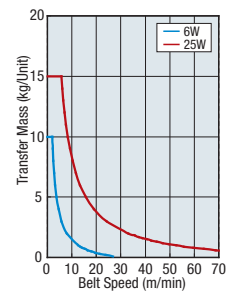
Gearhead Reduction Ratio

*May decrease depending on load condition.

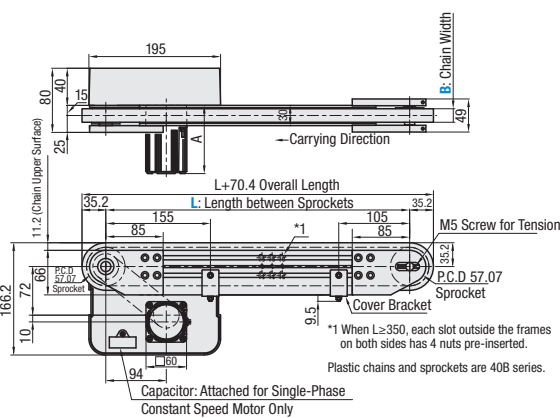
Gearhead Reduction Ratio	Belt Speed (m/min)	
	50Hz	60Hz
5	53.7	64.4
7.5	35.8	43.0
9	29.8	35.8
12.5	21.5	25.8
15	17.9	21.5
18	14.9	17.9
25	10.7	12.9
30	9.0	10.7
36	7.5	9.0
50	5.4	6.4
60	4.5	5.4
75	3.6	4.3
90	3.0	3.6
100	2.7	3.2
120	2.2	2.7
150	1.8	2.1
180	1.5	1.8

Conveying Capacity

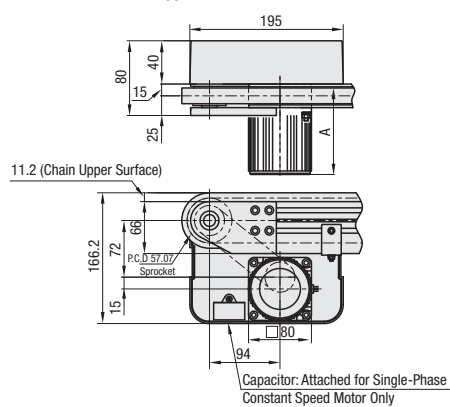
* Reference Value



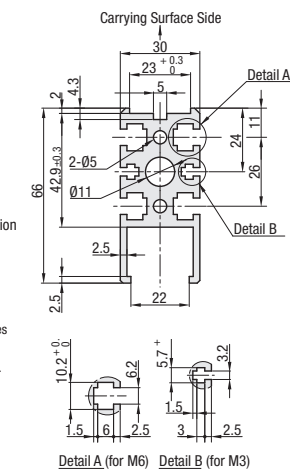
CVSPC 6W Motor Type



25W Motor Type



Frame Cross Section and Enlarged View (Symmetrical)



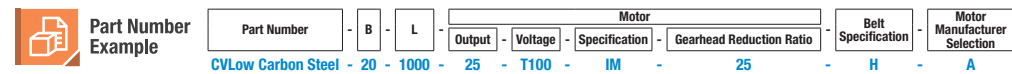
Compatible with JIS standard hex nuts.

Motor Specifications

Output (W)	Specification	Motor Manufacturer	Reduction Ratio	Motor length (A)
6W	Constant Speed Motor	Panasonic	12.5-25	101.0
		Oriental	30-180	108.0
		Taiwanese Motor	12.5-18	105.0
	Variable Speed Motor	Oriental	25-180	114.7
		Taiwanese Motor	12.5-75	115.0
		Taiwanese Motor	90-180	120.7
25W	Constant Speed Motor	Panasonic	12.5-180	115.0
		Oriental	12.5-18	117.0
		Taiwanese Motor	25-180	127.5
	Variable Speed Motor	Oriental	7.5-75	129.0
		Taiwanese Motor	90-180	136.0
		Taiwanese Motor	7.5-18	127.0

Part Number	Width B (mm)	Length L 5mm Increment	Motor				Plastic Chain Belt Specification	Motor Manufacturer Selection
			Output (W)	Voltage (V)	Specification	Gearhead Reduction Ratio		
CVSPC	20	350-3000	6 25	(Single-Phase) TA100 TA110 TA115 TA200 TA220 TA230	IM (Constant Speed Motor) SCM (Variable Speed Motor)	5 7.5 9 12.5 15 18 25 30 36 50 60 75 90 100 120 150 180	H (Standard, White) D (Conductive, Black) J (No Belt)	A (Panasonic Motor) B (Oriental Motor) C (Taiwanese Motor) * SCM (Variable Speed Motor) is not selectable for A.
				25	(Three-Phase) SA200 SA220 SA230	IM (Constant Speed Motor)		
			6 25	(No Motor)	NM (No Motor)	NH (No Gearhead)	R (No Motor, Gearhead)	

- Connect the motor so that the chain rotates in the direction of conveyance.
- When "No motor, gearhead" is selected, the motor mounting hole pitch will vary depending on the motor's power rating. Please see Technical Information in our Conveyor Selection web site for the dimension details.
- When "No motor, gearhead" is selected, this unit will be delivered unassembled. The customer is to assemble the unit according to the included assembly instructions. See our Conveyor Selection site for assembly procedures and packaging details.
- Since plastic chain is subject to abrasion and produces dust during use, it is not suitable for the use in the clean room. This, however, does not affect functionality of conveyance.



- Motor Position Reversed
- Additional Counterbores
- Motor Cover with Window
- Brackets for Speed Controller Included
- Post-Assembly Insertion Nuts Included
- Motor with Terminal Box
- Orthogonal Shaft Gear Head

For details of alterations, see P:1276.

Plastic Chain Conveyors

Dual Track, End Drive, 3-Groove Frame (Sprocket Dia. 57mm)

CE Compliant

Features: Since there are two rows of conveyor surfaces, sensors and stoppers can be mounted in between the belts. Use of Plastic Chains prevents scratches, and makes for easy maintenance.

Plastic Chain Conveyors – Dual Track, End Drive, 3-Groove Frame (Sprocket Dia. 57mm)



	Frame	Motor Cover	Pulley Holder	Plastic Chain
Material	Aluminum	Low Carbon Steel	5052 Aluminum Alloy	Polyacetal
Surface Treatment	Clear Anodize	Paint	Gold Anodize	-

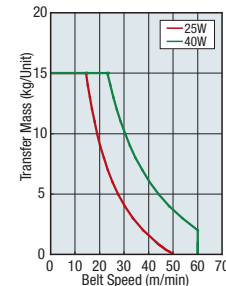
Gearhead Reduction Ratio

*May decrease depending on load condition.

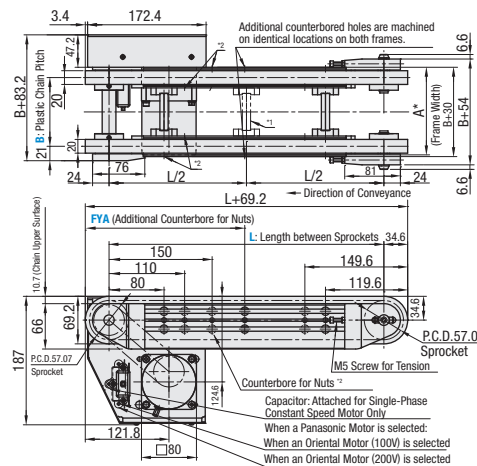
Gearhead Reduction Ratio	Belt Speed (m/min)	
	50Hz	60Hz
5	53.7	64.4
7.5	35.8	43.0
9	29.8	35.8
12.5	21.5	25.8
15	17.9	21.5
18	14.9	17.9
25	10.7	12.9
30	9.0	10.7
36	7.5	9.0
50	5.4	6.4
60	4.5	5.4
75	3.6	4.3
90	3.0	3.6
100	2.7	3.2
120	2.2	2.7
150	1.8	2.1
180	1.5	1.8

Conveying Capacity

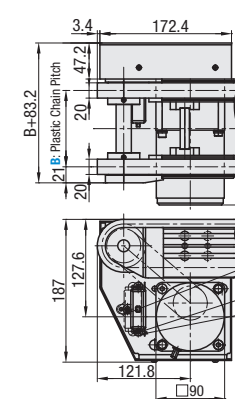
* Reference Value



CVSPA 25W Motor Type



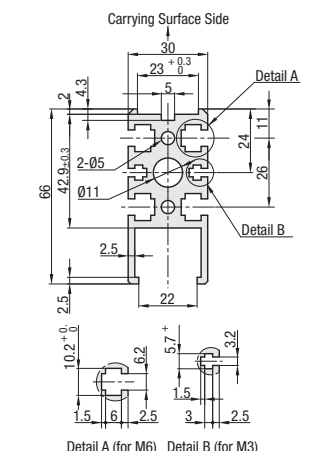
40W Motor Type



- *1: When L≥1005, joint mounted
- *2: When L≤505, counterbores for the nuts will not be provided. However, each slot has 3 pre-inserted nuts provided.

*Plastic chains and sprockets are 40B series.

Frame Cross Section and Enlarged View (Symmetrical)



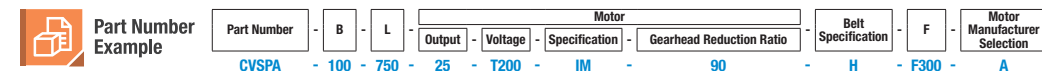
Compatible with JIS standard hex nuts.

Motor Specifications

Output (W)	Specification	Motor Manufacturer	Reduction Ratio	Motor length (A)
25W	Constant Speed Motor	Panasonic	5-180	115.0
		Oriental	5-18	117.0
		Taiwanese Motor	25-180	127.5
	Variable Speed Motor	Oriental	5-18	127.0
		Taiwanese Motor	25-180	137.5
		Taiwanese Motor	5-18	142.0
40W	Constant Speed Motor	Oriental	25-180	165.0
		Oriental	5-18	157.0

Part Number	Width B 10mm Increment	Length L 5mm Increment	Motor				Belt Specification	FYA (Additional Counterbores) 5mm Increment	Motor Manufacturer Selection
			Output (W)	Voltage (V)	Specification	Gearhead Reduction Ratio			
CVSPA	80-300	300-3000	25 40	(Single-Phase) TA100 TA110 TA115 TA200 TA220 TA230	IM (Constant Speed Motor) SCM (Variable Speed Motor)	5 7.5 9 12.5 15 18 25 30 36 50 60 75 90 100 120 150 180	H (General Purpose) D (Conductive, Black) J (No Belt)	205<FYA<L-105 * When not specified, there will be no additional counterbores.	A (Panasonic Motor) B (Oriental Motor) * SCM (Variable Speed Motor) is not selectable for A.
				(Three-Phase) SA200 SA220 SA230	IM (Constant Speed Motor)				
			6 25	(No Motor)	NM (No Motor)	NH (No Gearhead)	R (No Motor, Gearhead)		

- Connect the motor so that the chain rotates in the direction of conveyance.
- When "No motor, gearhead" is selected, the motor mounting hole pitch will vary depending on the motor's power rating. Please see Technical Information in our Conveyor Selection web site for the dimension details.
- When "No motor, gearhead" is selected, this unit will be delivered unassembled. The customer is to assemble the unit according to the included assembly instructions. See our Conveyor Selection site for assembly procedures and packaging details.
- Since plastic chain is subject to abrasion and produces dust during use, it is not suitable for the use in the clean room. This, however, does not affect functionality of conveyance.



- Motor Position Reversed
- Brackets for Speed Controller Included
- Post-Assembly Insertion Nuts Included
- Motor with Terminal Box
- Stands (Legs)

For details of alterations, see P:1276.