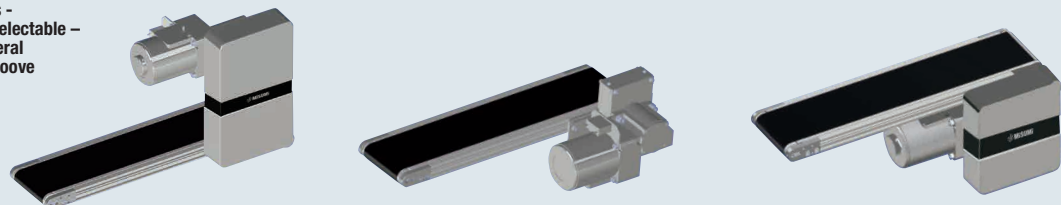


Guided Flat Belt Conveyors – Motor Mounting Position Selectable

Guided Belt to Prevent Lateral Movement, End Drive, 2-Groove Frame (Pulley Dia. 30mm)

Features: The motor mounting position is selectable for either top mounting, bottom mounting, or side mounting. Adoption of orthogonal shaft gear head solves the mounting space issue. The belt with the guide prevents lateral movement.

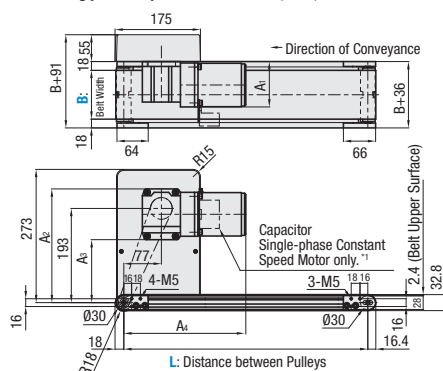
Guided Flat Belt Conveyors - Motor Mounting Position Selectable – Guided Belt to Prevent Lateral Movement, End Drive, 2-Groove Frame (Pulley Dia. 30mm)



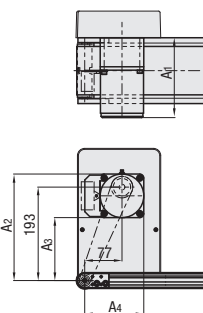
CVMB

Top Mount Type (TM)

Motor mounting position specifications for **TM1, TM2, and TM3**

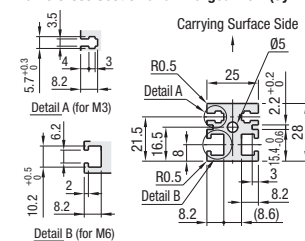


Motor mounting position specifications for **TM5**



	Frame	Motor Cover	Pulley Holder
Material	Aluminum	Aluminum	Aluminum
Surface Treatment	Clear Anodize	Paint	Paint

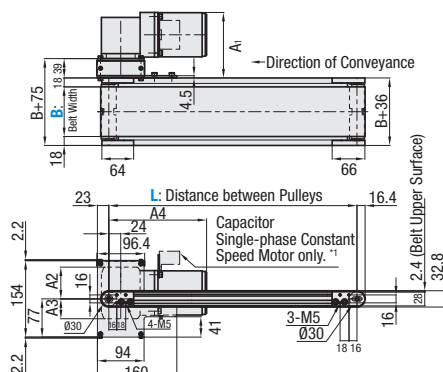
Frame Cross Section and Enlarged View (Symmetrical)



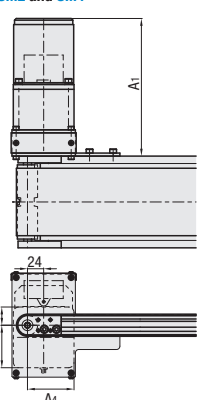
- Compatible with JIS standard hex nuts.
- Each slot has 4 pre-inserted nuts provided.
- When counterbores for inserting nuts are required, please specify in alterations.
- Capacitor is included with single-phase Constant Speed Motors only. Capacitor mounting position can be arranged by the customer.
- The dimensions in the diagram are for Belt Specifications H (0.9mm thick). Take note that belt thickness varies by Belt Specifications.

Side Mount Type (SM)

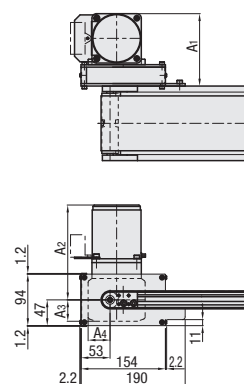
Motor mounting position specifications for **SM1 and SM3**



Motor mounting position specifications for **SM2 and SM4**

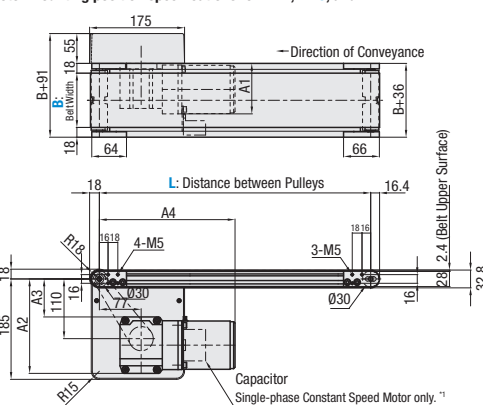


Motor mounting position specifications for **SM5**

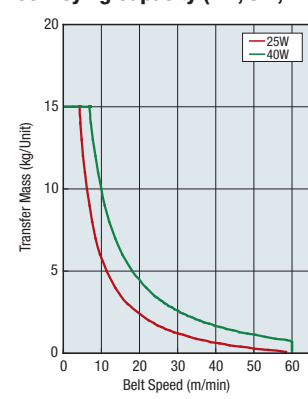


Bottom Mount Type (BM)

Motor mounting position specifications for **BM1, BM3, and BM4**



Conveying Capacity (TM, SM, BM)



*Reference Value may different by selected Belt.

Gearhead Reduction Ratio

*May decrease depending on load condition.

Gear Head Reduction Ratio	Belt Speed (m/min) TM, BM		Belt Speed (m/min) SM	
	50Hz	60Hz	50Hz	60Hz
5	56.4	67.7	28.2	33.8
7.5	37.6	45.1	18.8	22.6
9	31.3	37.6	15.7	18.8
12.5	22.6	27.1	11.3	13.5
15	18.8	22.6	9.4	11.3
18	15.7	18.8	7.8	9.4
25	11.3	13.5	5.6	6.8
30	9.4	11.3	4.7	5.6
36	7.8	9.4	3.9	4.7
50	5.6	6.8	2.8	3.4
60	4.7	5.6	2.4	2.8
75	3.8	4.5	1.9	2.3
90	3.1	3.8	1.6	1.9
100	2.8	3.4	1.4	1.7
120	2.4	2.8	1.2	1.4
150	1.9	2.3	0.9	1.1
180	1.6	1.9	0.8	0.9

Guided Flat Belt Conveyors – Motor Mounting Position Selectable

Guided Belt to Prevent Lateral Movement, End Drive, 2-Groove Frame (Pulley Dia. 30mm), continued

Conveyor Resource Site:
<http://www.misumiusa.com/conveyor/>
 Conveyor Selection, Design Your Own Conveyor Kit, & Maintenance Parts Search

Part Number Type	Motor Mounting Position	Width B 10mm Increment	Length L 5mm Increment	Motor				Belt Specification	Motor Manufacturer Selection
				Output (W)	Voltage (V)	Specification	Gearhead Reduction Ratio		
CVMB	TM1 SM1 BM1 TM2 SM2 BM3 TM3 SM3 BM4 TM4 SM4 BM4 TM5 SM5	50-300	200-2000	25 40	(Single-Phase) TA100 TA110 TA115 TA200 TA220 TA230	IM (Constant Speed Motor) SCM (Variable Speed Motor)	5 7.5 9 12.5 15 18 25 30 36 50 60 75 90 100 120 150 180	H (General Specifications, Green) W (General Specifications, White) G (For Sliding, Green) S (For Sliding, White) D (Static Conductive) O (Oil Resistant, Navy Blue) N (Non-Stick Food Grade, White) J (No Belt)	A (Panasonic Motor) B (Oriental Motor) *SCM (Variable Speed Motor) is not selectable for A. ⓧ When output is 25, Panasonic Motor is not applicable.
					(Three-Phase) SA200 SA220 SA230	IM (Constant Speed Motor)			

- Connect the motor so that the belt rotates in the direction of conveyance.
- When "No motor, gearhead" is selected, the motor mounting hole pitch will vary depending on the motor's power rating. Please see Technical Information in our Conveyor Selection web site for the dimension details.
- When "No motor, gearhead" is selected, this unit will be delivered unassembled. The customer is to assemble the unit according to the included assembly instructions. See our Conveyor Selection site for assembly procedures and packaging details.
- A worm gear is used for orthogonal shaft gear head. Note, therefore, the motor cannot be rotated from the belt side for maintenance work, etc.
- Note that warpage might occur on the guided belts depending on the number of plies (thickness).

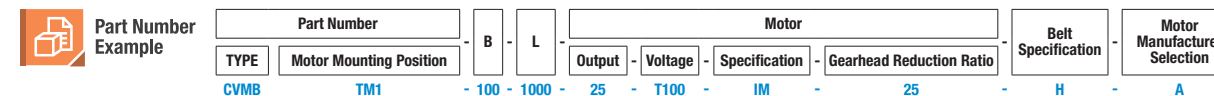
Motor Mounting Position Selection Table

Gearhead	Motor Mounting Position		
	Top Mount	Side Mount	Bottom Mount
Orthogonal Shaft			
Parallel Shaft			

Belt Selection Table

Belt Specification	Standard Belt	Optional Belt 1	Optional Belt 2	No Belt
General Purpose	H (Green), W (White)	—	—	J (No Belt)
For Sliding	G (Green), S (White)	—	—	
For Inclined Transfer	—	—	—	
Grip Type	—	—	GG (Green), GW (White)	
Oil Resistant	O (Green)	OW (White)	—	
Non-Stick Food Grade	N (White)	NB (Sky Blue), NBG (Lime Green) HH (Green), HW (White)	—	
Food Grade	—	KW (White), KSB (Sky Blue), PHB (Sky Blue)	—	
Static Conductive	D (Black)	—	—	

Part Number	B	Available Types																		
		L200-300	L305-400	L405-500	L505-600	L605-700	L705-800	L805-900	L905-1000	L1005-1100	L1105-1200	L1205-1300	L1305-1400	L1405-1500	L1505-1600	L1605-1700	L1705-1800	L1805-1900	L1905-2000	
CVMBTM# CVMBBM#	50-100	•	•	•	•	•	•	•	•	•	•	•	•	•	•	•	•	•	•	•
	110-150	—	•	•	•	•	•	•	•	•	•	•	•	•	•	•	•	•	•	•
	160-200	—	—	•	•	•	•	•	•	•	•	•	•	•	•	•	•	•	•	•
	210-250	—	—	—	•	•	•	•	•	•	•	•	•	•	•	•	•	•	•	•
CVMBSM#	50-100	•	•	•	•	•	•	•	•	•	•	•	•	•	•	•	•	•	•	•
	110-150	—	•	•	•	•	•	•	•	•	•	•	•	•	•	•	•	•	•	•
	160-200	—	—	•	•	•	•	•	•	•	•	•	•	•	•	•	•	•	•	•
	210-250	—	—	—	•	•	•	•	•	•	•	•	•	•	•	•	•	•	•	•



- Motor Position Reversed
- Additional Counterbores
- Motor Cover with Window
- Brackets for Speed Controller Included
- Post-Assembly Insertion Nuts Included
- Motor with Terminal Box
- Stands (Legs)

For details of alterations, see P.1276.