



Rotary Nozzles / Flow Rate Control Nozzles



Conical Spray Air Nozzles / Radial Air Nozzles

Rotary Nozzles

Type	Material	Heat Resistance Temp.
SPNZ	Body: 304 Stainless Steel Nozzle: 2017 Aluminum Alloy Gasket: NBR Nitrile Rubber Bearing: Retaining Ring	60°C

Features
Blow the air while rotating.
The internal bearing rotates by the moment force generated by compressed air.
More powerful air blow than usual is possible by rotating.

Tip Shape A **B** **C**

RoHS 10

Part Number		Orifice	T	Air Flow Rate NL/min (for 0.3MPa)	Weight (g)	Unit Price 1 ~ 4 pc(s).	Volume Discount Rate		
Type	Tip Shape						5~9	10~19	20~30
SPNZ	A (Narrow Angle)	3-Ø1.2	R1/8	110	28				
	B (Wide Angle)								
	C (Side)								

Ordering Example: Part Number **SPNZ** - Tip Shape **A** Days to Ship **Configure Online**

For orders larger than indicated quantity, please use the Misumi website.

Flow Rate Control Nozzle

Type	Material	Heat Resistance Temp.
AFCS	Body: 304 Stainless Steel Nozzle: 304 Stainless Steel O-Ring: NBR Nitrile Rubber Nut: 304 Stainless Steel	60°C

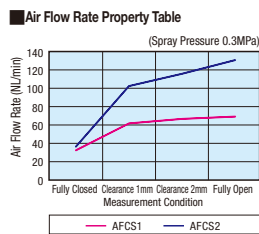
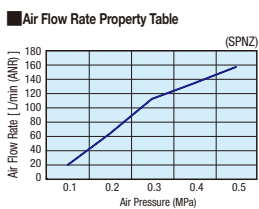
Features
Air Nozzles with Flow Rate Adjustable
Can be narrowed down without Speed Controller.
Can be fixed at an arbitrary position with built-in Locking Mechanism.

RoHS 10

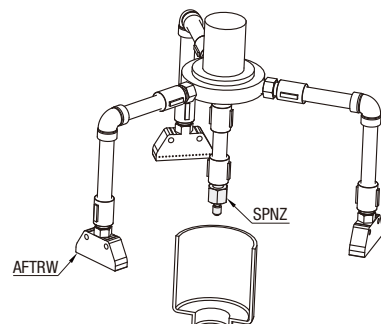
Part Number		T	M	d	L		W	Weight (g)	Unit Price 1 ~ 4 pc(s).	Volume Discount Rate		
Type	No.				(max)	(min)				5~9	10~19	20~30
AFCS	1	R1/8	M6	2	38	35	13	17				
	2		M8	3	39	36						

Ordering Example: Part Number **AFCS1** Days to Ship **Configure Online**

For orders larger than indicated quantity, please use the Misumi website.



Example



(Cleaning of Cylindrical Workpiece I.D./O.D.)

Conical Spray Air Nozzles

ACNA

Air Projection Angle 20° **ACNA-20** Air Projection Angle 30° **ACNA-30**

RoHS 10

Material: 5052 Aluminum Alloy

Part Number		Air Projection Angle	Orifice	T	Air Flow Rate NL/Min (for 0.3MPa)	Weight (g)	Unit Price 1 ~ 4 pc(s).	Volume Discount Rate		
Type	No.							5~9	10~19	20~50
ACNA	1	20	9-Ø1.0 (Circumference Orifice) 1-Ø0.8 (Center Part Orifice)	R1/8	195	2				
		30								

Ordering Example: Part Number **ACNA1** - Air Projection Angle **20** Days to Ship **Configure Online**

For orders larger than indicated quantity, please use the Misumi website.

Radial Air Nozzles

AEDA

F (30° Front) S (Side) B (15° Rear)

RoHS 10

Material: SUS303

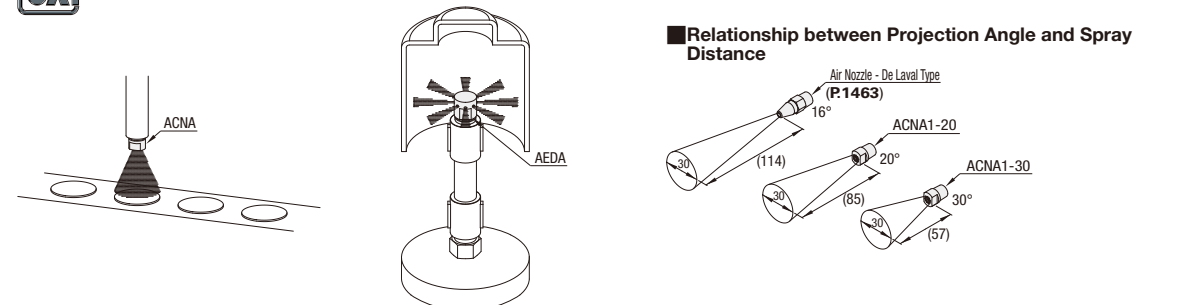
Part Number		Air Spray Direction	Orifice	D	T	L	Air Flow Rate NL/Min (for 0.3MPa)	Weight (g)	Unit Price 1 ~ 4 pc(s).	Volume Discount Rate		
Type	No.									5~9	10~19	20~50
AEDA	2	F (30° Front)	8-Ø1.6	14	R1/4	22	240	15				
		S (Side)				23	330	15.5				
		B (15° Rear)				26	350	17.5				

Ordering Example: Part Number **AEDA2** - Air Spray Direction **F** Days to Ship **Configure Online**

For orders larger than indicated quantity, please use the Misumi website.



Example



(Lens Surface Cleaning)

Internal Cleaning of Cylindrical Workpiece

Relationship between Projection Angle and Spray Distance

