
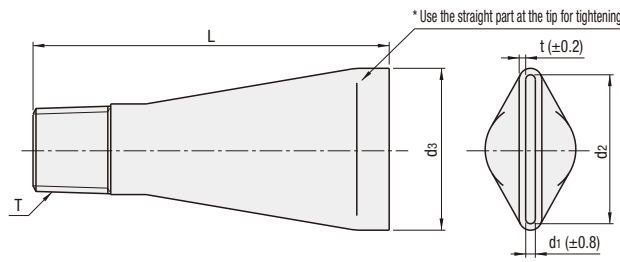




High Flow Rate Blower Nozzles

Type	Material	Heat Resistance Temp.
AFTHF	304 Stainless Steel	300°C

Features:
 Structure capable of effective air flow.
 Blower-based air supply enables power and air consumption saving.
 This Air Nozzle is good for long time continuous air spray.

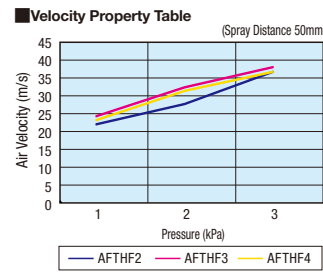
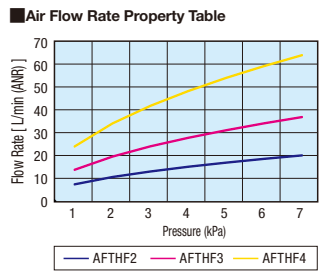



RoHS 10

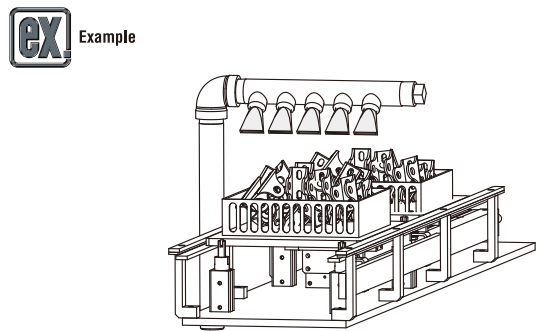
The tip is slightly arc shaped due to flat forming after pipe expanding.

Part Number	Type	No.	L	d1	d2	d3	t	T	Weight (g)	Volume Discount Rate		
										1 ~ 4 pc(s)	5~9	10~19
AFTHF		2	70	4	21	25	2.2	R1/4	38			
		3	70	4	25	29	2.3	R3/8	52			
		4	80	4	31	35	2.5	R1/2	82			

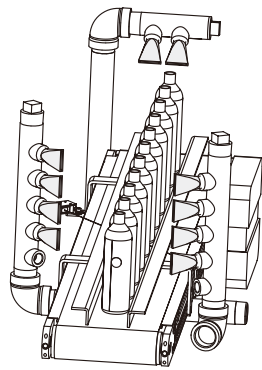
Ordering Example: Part Number **AFTHF2** Days to Ship **Configure Online**



Values on the graph are for reference, not guaranteed.



(Drying of Workpiece)



(Drying of Workpiece)