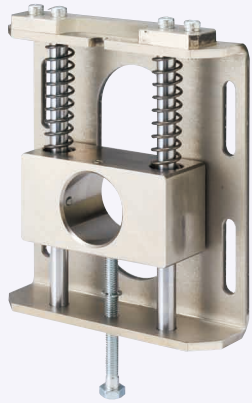




Belt Tensioners - Spring-Loaded

■ **Features:** Auto-tensioner for roller and idler. It can be easily installed and adjusted by spanner or wrench.



RoHS10

Components	Bearing Block	Mounting Plate	Chassis	Adjusting Screw	Shaft
Material	1018 Carbon Steel	SPH	SPH	304 Stainless Steel	52100 Bearing Steel
Surface Treatment	Electroless Nickel Plating			-	Hard Chrome Plating

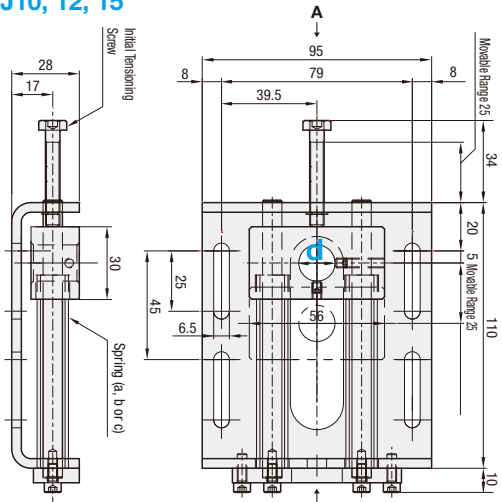
Components	Bolt	Retaining Ring	Spring	Set Screw
Material	4137 Alloy Steel	Spring Steel	Spring Steel (ASTM A228)	304 Stainless Steel
Surface Treatment	Trivalent Chromate			

* 3 types of Springs are included in the shipment.

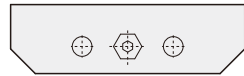
a: WL13-80	b: WT13-80	c: WM13-80
(Spring Constant: 1.0N/mm)	(Spring Constant: 2.0N/mm)	(Spring Constant: 2.9N/mm)
Fmax 32mm	Fmax 32mm	Fmax 32mm
Set Deflection Amount 25mm	Set Deflection Amount 25mm	Set Deflection Amount 25mm
1.0x25x2 (pcs.)	2.0x25x2 (pcs.)	2.9x25x2 (pcs.)
=50N/9.8=5.1kg	=50N/9.8=10.2kg	=145N/9.8=14.8kg

☛ For other Spring details, see P2-345.

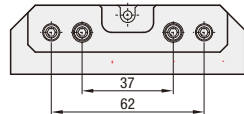
•ROBAJ10, 12, 15



View from direction A



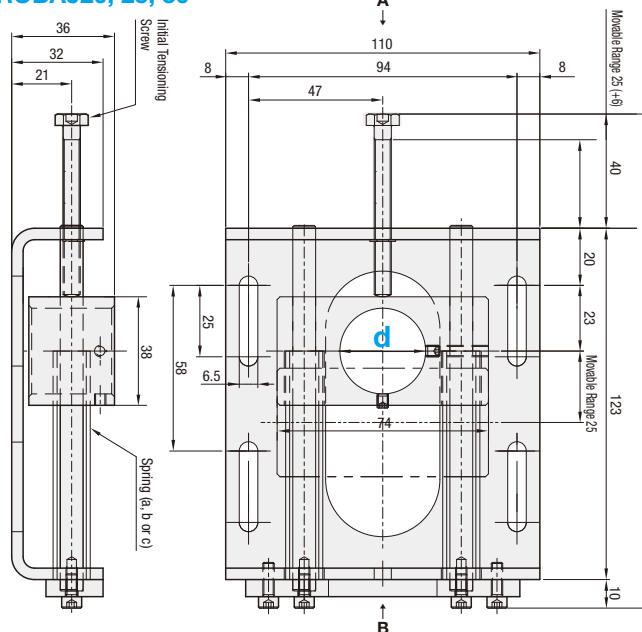
View from direction B



Part Number	Unit Price	
TYPE	d	1~10 pcs.
ROBAJ	10	
	12	
	15	

☛ For orders larger than indicated quantity, please check with WOS.

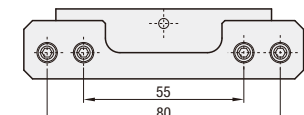
•ROBAJ20, 25, 30



View from direction A



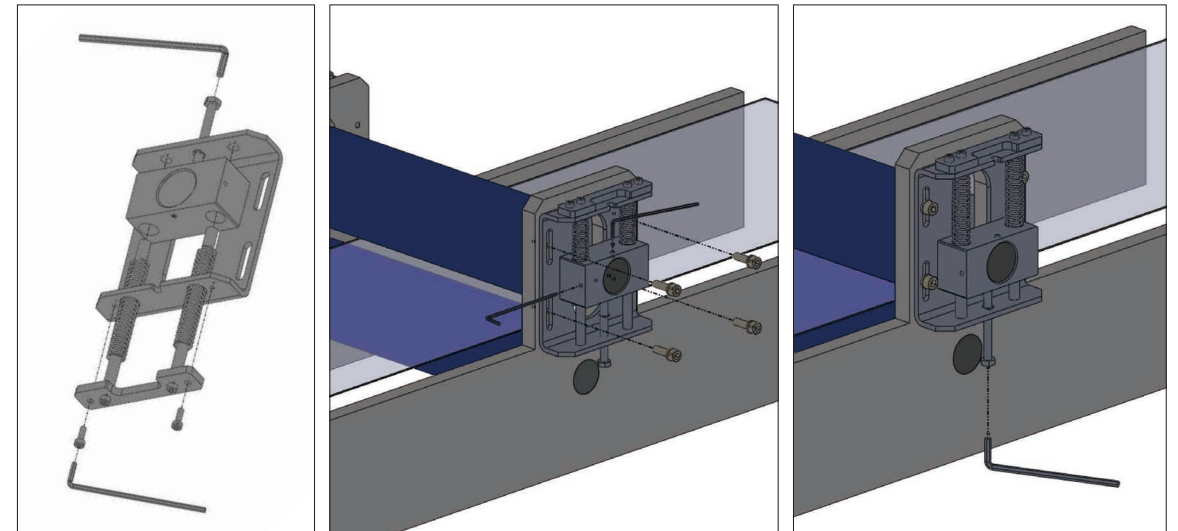
View from direction B



Part Number	Unit Price	
TYPE	d	1~10 pcs.
ROBAJ	20	
	25	
	30	

☛ For orders larger than indicated quantity, please check with WOS.

How to Mount

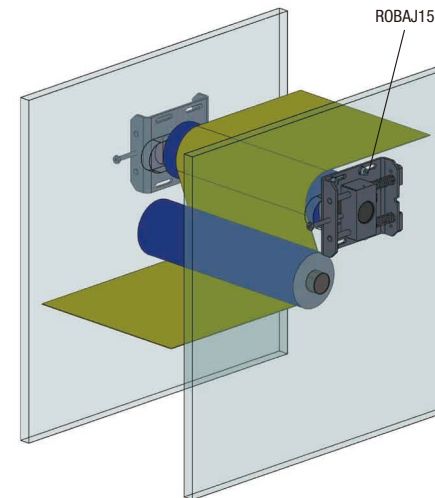


1. Select the required spring force and mount the spring. Adjust the amount of deflection with the adjustment screw.
2. Mount the Roller (Idler) and temporarily fasten the main body on the chassis.
3. Apply tension to the Roller (Idler), and tightly mount the main body. Loosen the bolt.

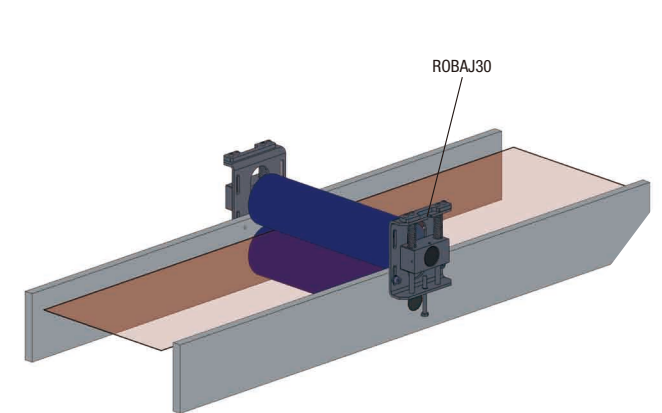


Example

• Belt Auto Tensioner



• Thin Plate Presser



Ordering Example
Part Number
ROBAJ 30



Days to Ship

Configure Online