

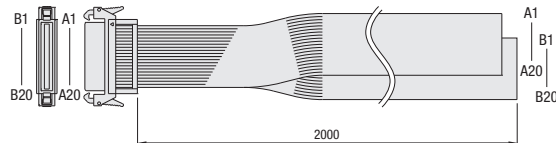
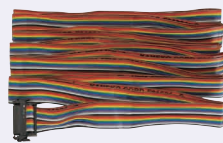
## Accessories

### Handset Terminal



Part Number	EXRS-H1	EXRS-HD1
Emergency Stop Button	Normally Closed Input (with Lock)	
Deadman's Switch	None	Included 3 Position Enable Switch
Operating Temp.	0°C~40°C	
Operating Humidity	35% ~ 85%RH (No Condensation)	
Body Mass	Approx. 450g	
Cable Length	3.5m	
Applicable Controller	EXRS-C1/C21/C22	
Part Number	Unit Price	Volume Discount Rate
EXRS-H1	1 pc.	2 ~ 3 pcs. 4 ~ 5 pcs.
EXRS-HD1		

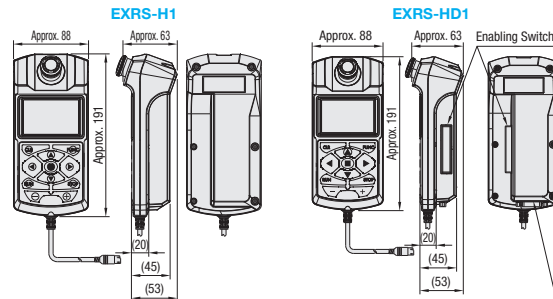
### I/O Cable



Part Number	EXRS-CB1	EXRS-CB2
Cable Length	2m	
Applicable Controller	EXRS-C1/C21/C22 EXRS-P1	
Part Number	Unit Price	Volume Discount Rate
EXRS-CB1	1 pc.	2 ~ 3 pcs. 4 ~ 5 pcs.
EXRS-CB2		

Pin No.	Single	Cable Color	Pin No.	Single	Cable Color	Pin No.	Single	Cable Color	Pin No.	Single	Cable Color
A1	+COM	BR	A11	PIN6	BR	B1	POUT0	BR	B11	OUT2	BR
A2	+COM	R	A12	PIN7	R	B2	POUT1	R	B12	OUT3	R
A3	(NC)	OR	A13	JOG+	OR	B3	POUT2	OR	B13	BUSY	OR
A4	(NC)	Y	A14	JOG-	Y	B4	POUT3	Y	B14	END	Y
A5	PIN0	G	A15	MANUAL	G	B5	POUT4	G	B15	/ALM	G
A6	PIN1	BL	A16	ORG	BL	B6	POUT5	BL	B16	SRV-S	BL
A7	PIN2	V	A17	/LOCK	V	B7	POUT6	V	B17	(NC)	V
A8	PIN3	GY	A18	START/TEACH	GY	B8	POUT7	GY	B18	(NC)	GY
A9	PIN4	W	A19	RESET	W	B9	OUT0	W	B19	-COM	W
A10	PIN5	BL	A20	SERVO	BL	B10	OUT1	BL	B20	-COM	BL

\* Connection end to external device is unterminated.



### Support Software (with USB Communication Cable and D-Sub Communication Cable)



Part Number	Communication Cable Length	Applicable Controller	Unit Price	Volume Discount Rate
EXRS-ST1	5m	EXRS-C1/P1/C21/C22	1 pc.	2 ~ 3 pcs. 4 ~ 5 pcs.
EXRS-ST2				

\* USB driver is included in Support Software. (EXRS-ST1)  
\* The cables are for communications between controller and PC. \* Not compatible with Windows 7 (OS).

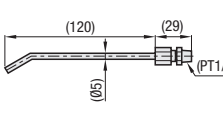
### Daisy-chain Cable



Part Number	EXRS-CD1	
Cable Length	300mm	
Applicable Controller	EXRS-C1/P1/C21/C22	
Part Number	Unit Price	Volume Discount Rate
EXRS-CD1	1 pc.	2 ~ 3 pcs. 4 ~ 5 pcs.

\* A cable to connect multiple controllers. It can connect maximum 16 controllers.

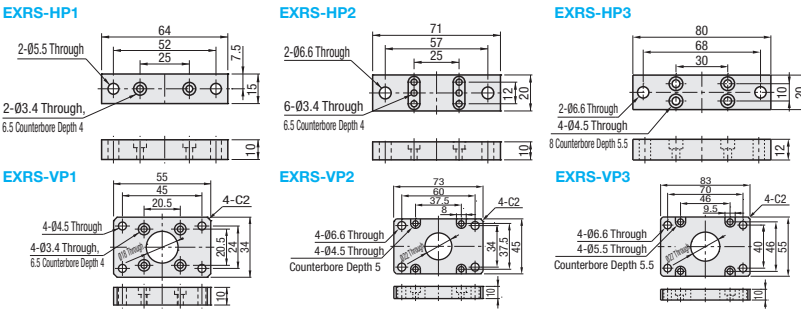
### Lubrication Nozzle



Part Number	EXRS-NZ1	
Applications	For replenishing ball screw grease	
Applicable Models	RSD1/RSDG1 (Motor mounted on top: U)	
Part Number	Unit Price	Volume Discount Rate
EXRS-NZ1	1 pc.	2 ~ 3 pcs. 4 ~ 5 pcs.

\* Recommended Product.  
This can be used with commercially available grease guns.

### Dedicated Feet and Flanges for Rod Type



Part Number	Applicable Model	Specifications	Components (1 set)
EXRS-HP1	RSD1 RSDG1	Foot	Mounting Plate 2 pcs.
EXRS-VP1	RSD1	Flange	Mounting Plate 1 pc.
EXRS-HP2	RSD2 RSDG2	Foot	Mounting Plate 2 pcs. Square Nut 12 pcs.
EXRS-VP2	RSD2	Flange	Mounting Plate 1 pc.
EXRS-HP3	RSD3 RSDG3	Foot	Mounting Plate 2 pcs. Square Nut 8 pcs.
EXRS-VP3	RSD3	Flange	Mounting Plate 1 pc.
Part Number	Unit Price	Volume Discount Rate	
EXRS-HP1	1 set		
EXRS-VP1	2 sets		
EXRS-HP2	3 sets		
EXRS-VP2			
EXRS-HP3			
EXRS-VP3			

### Instruction Manual



Part Number	Language	Type	Applicable Model	Unit Price	Volume Discount Rate
EXRS-MJ5	Japanese	Actuator (Standard)	RSD1/2/3		
			RSDG1/2/3		
			RSH1/2/3/4/5		
			RSF4		
EXRS-MJ6	Japanese	Actuator (Clean Spec.)	RSD1/2/3		
			RSDG1/2/3		
EXRS-KJ3	English	Controller	EXRS-C1/C21/C22		
			EXRS-P1		
EXRS-ME5	English	Actuator (Standard)	RSD1/2/3		
			RSDG1/2/3		
			RSH1/2/3/4/5		
			RSF4		
EXRS-ME6	English	Actuator (Clean Spec.)	RSD1/2/3		
			RSDG1/2/3		
EXRS-KE3	English	Controller	EXRS-C1/C21/C22		
			EXRS-P1		

Operator's Manuals are also available for downloads on our website.  
<http://www.misumiusa.com/robot/>

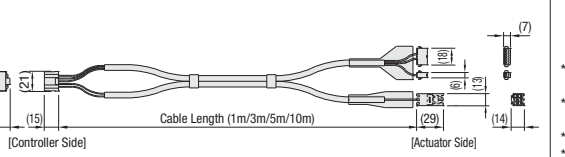
## Maintenance Products

### Power/Signal-Integrated Cables (Flex-Resistant)

(Controller EXRS-C1/P1)



Part Number	Cable Length (m)	Unit Price	Volume Discount Rate
EXRS-CT1	1		
	3		
	5		
	10		



### Data Storage Battery

Part Number	Unit Price	Volume Discount Rate
EXRS-BA2	1 pc.	2 ~ 3 pcs. 4 ~ 5 pcs.



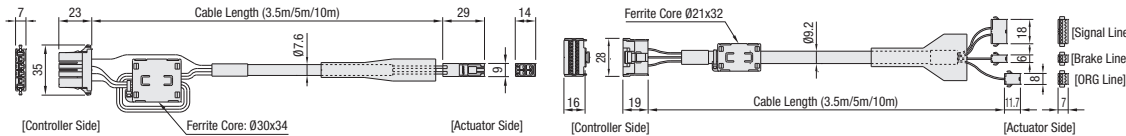
\* Battery for absolute data back-up. (Applicable Controllers: EXRS-C21/C22)  
\* Included as standard to absolute model controllers.  
Replacement cycle is approx. one year.  
\* This product is outside the scope of RoHS Directive.  
\* Photograph is an image. Please note that the appearance may differ from the photograph.

### Power/Signal Cables

(Controller EXRS-C21/C22)



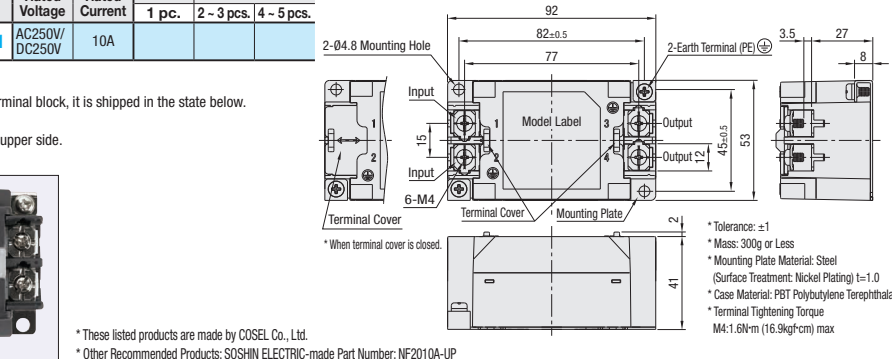
Part Number	Type	Cable Length	Unit Price	Volume Discount Rate
EXRS-CM1	Power	3.5m: 3		
		5m: 5		
		10m: 10		
EXRS-CR1 (Standard)	Single	3.5m: 3		
		5m: 5		
		10m: 10		
EXRS-CR2 (Flexible)	Single	3.5m: 3		
		5m: 5		
		10m: 10		



### Noise Filter

Part Number	Rated Voltage	Rated Current	Unit Price	Volume Discount Rate
EXRS-NF1	AC250V/DC250V	10A	1 pc.	2 ~ 3 pcs. 4 ~ 5 pcs.

As this product uses push-down type terminal block, it is shipped in the state below.  
\* Terminal cover is stored.  
\* Terminal block screws are kept on the upper side.



\* These listed products are made by COSEL Co., Ltd.  
\* Other Recommended Products: SOSHIN ELECTRIC-made Part Number: NF2010A-UP