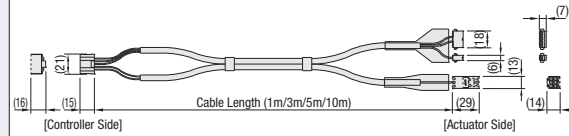


### Power/Signal-Integrated Cables (Flex-Resistant)

(Controller EXRS-C1/P1)

Part Number	Cable Length (m)	Unit Price 1 pc.	Volume Discount Rate 2 ~ 3 pcs. 4 ~ 5 pcs.
EXRS-CT1	1		
	3		
	5		
	10		



### Data Storage Battery

Part Number	Unit Price 1 pc.	Volume Discount Rate 2 ~ 3 pcs. 4 ~ 5 pcs.
EXRS-BA2		



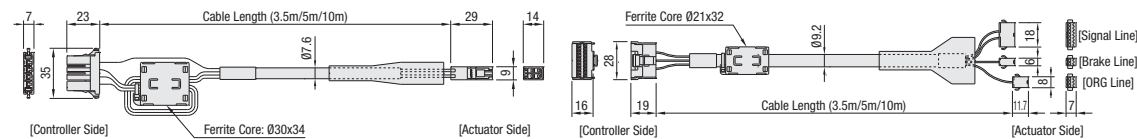
\* Battery for absolute data back-up. (Applicable Controllers: EXRS-C21/C22)  
 \* Included as standard with absolute model controllers. Replacement cycle is approx. one year.  
 \* This product is outside the scope of RoHS Directive.  
 \* The photo is an image. Please note that the appearance may differ from the photo.

### Power/Signal Cables

(Controller EXRS-C21/C22)



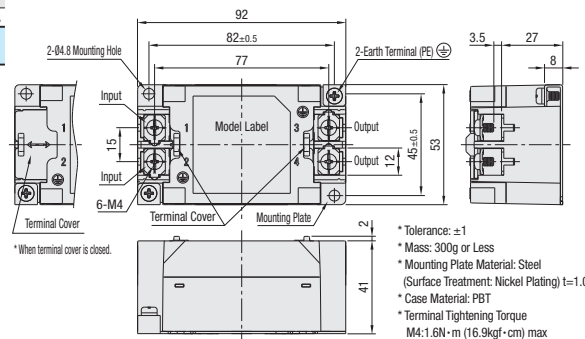
Part Number	Type	Cable Length	Unit Price 1 pc.	Volume Discount Rate 2 ~ 3 pcs. 4 ~ 5 pcs.
EXRS-CM1	Power	3.5m : 3		
		5m : 5		
		10m : 10		
EXRS-CR1 (Standard)	Single	3.5m : 3		
		5m : 5		
		10m : 10		
EXRS-CR2 (Flexible)	Single	3.5m : 3		
		5m : 5		
		10m : 10		



### Noise Filter

Part Number	Rated Voltage	Rated Current	Unit Price 1 pc.	Volume Discount Rate 2 ~ 3 pcs. 4 ~ 5 pcs.
EXRS-NF1	AC250V/DC250V	10A		

As this product uses push-down type terminal block, it is shipped in the state below.  
 \* Terminal cover is stored.  
 \* Terminal block screws are kept on the upper side.



\* These listed products are made by COSEL.  
 \* Other Recommended Products: SOSHIN ELECTRIC-made Part Number: NF2010A-UP

### Communication Cable

Part Number	EXRS-USB1	EXRS-DSUB1
Communication Type	USB Communication	D-Sub Communication
Applicable Controller	EXRS-C1/P1 EXRS-C21/C22	



Part Number	Unit Price 1 pc.	Volume Discount Rate 2 ~ 3 pcs. 4 ~ 5 pcs.
EXRS-USB1		
EXRS-DSUB1		

\* USB driver is included in Support Software.  
 \* The cables are for communications between controller and PC.

### Support Software (RS-Manager)

Part Number	EXRS-RSM
Applicable Controller	EXRS-C1/P1 EXRS-C21/C22

Part Number	Unit Price 1 pc.	Volume Discount Rate 2 ~ 3 pcs. 4 ~ 5 pcs.
EXRS-RSM		



### Power Connector

Part Number	EXRS-PC1	EXRS-PC21	EXRS-PC22
Voltage	DC24V	AC 115V	AC 230V
Applicable Controller	EXRS-C1/P1	EXRS-C21A/C21B	EXRS-C22A/C22B



Part Number	Unit Price 1 pc.	Volume Discount Rate 2 ~ 3 pcs. 4 ~ 5 pcs.
EXRS-PC1		
EXRS-PC21		
EXRS-PC22		

### EXT Connector

Part Number	EXRS-EXT1
Applicable Controller	EXRS-C21/C22



Part Number	Unit Price 1 pc.	Volume Discount Rate 2 ~ 3 pcs. 4 ~ 5 pcs.
EXRS-EXT1		

### Dummy Connector

Part Number	EXRS-DMP1
Applicable Controller	EXRS-C1 EXRS-C21/C22



Part Number	Unit Price 1 pc.	Volume Discount Rate 2 ~ 3 pcs. 4 ~ 5 pcs.
EXRS-DMP1		