

Regenerative Unit

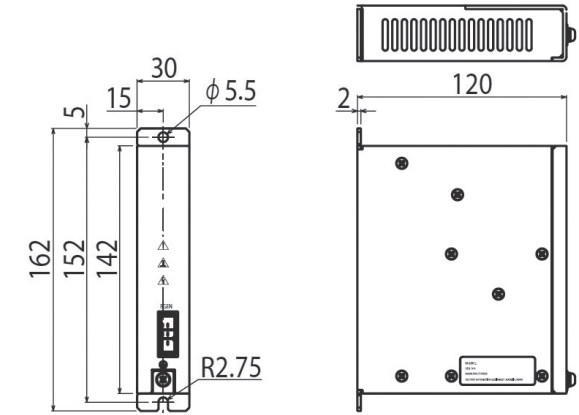


[A] Accessory
Dedicated Connection Cable
for Controller (300mm)

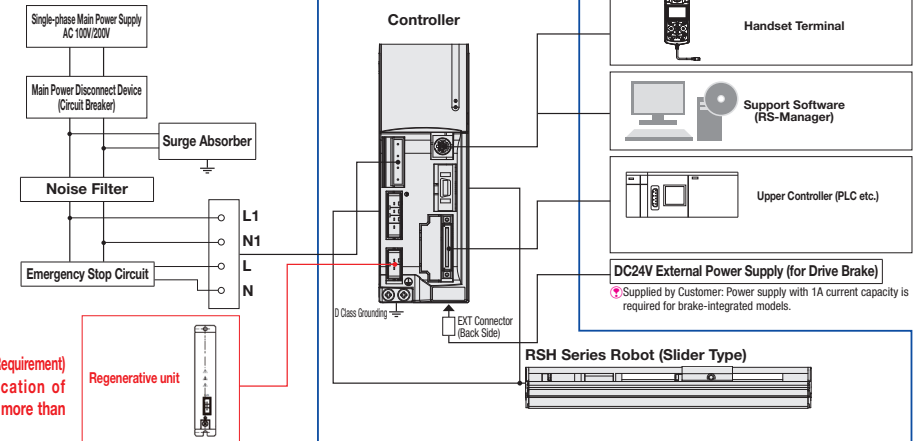
Part Number	EXRS-RGT
Dimensions	W30 x H142 x D118mm (excluding mounting stay)
Mass	470g
Regenerative Absorption Starting Voltage	Approx. 420V or more
Regenerative Absorption Stopping Voltage	Approx. 380V or more
Applicable actuator types	RSH4 (P.99) / RSH5 (P.101) / RSF4 (P.103)
Application Requirement	For vertical application of RSH4/RSH5/RSF4, more than 700mm stroke
Applicable Controller	EXRS-C21A/C21B/C22A/C22B

- Be sure to install with clearance with the adjacent controller. Recommended Clearance: Approx. 20mm
- Use the included dedicated cable for connection with the controller.

Part Number	Unit Price 1 pc	Volume Discount Rate 2 ~ 3 pcs. 4 ~ 5 pcs.
EXRS-RGT		



Connection Diagram



Caution!! (Application Requirement)
For vertical application of
RSH4/RSH5/RSF4, more than
700mm stroke

Instruction Manual



Part Number	Language	Type	Applicable Model	Unit Price 1 volume	Volume Discount Rate 2 - 3 Copies 4 - 5 Copies	
EXRS-MJ5	Japanese	Actuator (Standard)	RS1/2/3 RSD1/2/3 RSDG1/2/3 RSH1/2/3/4/5 RSF4			
EXRS-MJ6		Actuator (Clean Spec.)	RS1C/2C/3C RSH1C/2C/3C			
EXRS-KJ3		Controller		EXRS-C1/C21/C22		
EXRS-KJ4				EXRS-P1		
EXRS-ME5	English	Actuator (Standard)	RS1/2/3 RSD1/2/3 RSDG1/2/3 RSH1/2/3/4/5 RSF4			
EXRS-ME6		Actuator (Clean Spec.)	RS1C/2C/3C RSH1C/2C/3C			
EXRS-KE3		Controller		EXRS-C1/C21/C22		
EXRS-KE4				EXRS-P1		

Instruction Manuals are also
downloadable from our website.

<http://www.misumiusa.com/robot/>