



90°C Air Nozzle

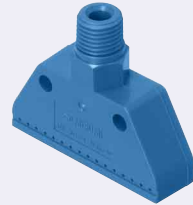
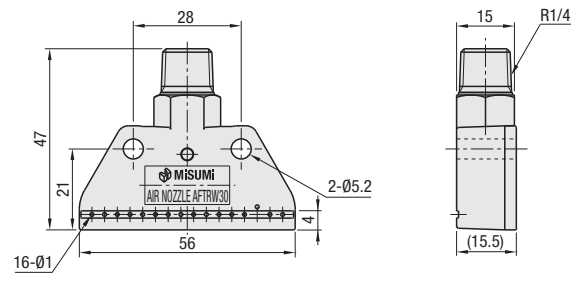
Standard / Compact

Standard RoHS 10

Type	Material	Max. Operating Pressure	Heat Resistance Temp.
AFTRW	Thermoplastic (ABS Plastic)	0.7MPa	70°C

Feature: Suitable for limited space. Easy to mount since air projection angle is vertical to the thread face.

- To prevent damage:
 - Avoid excessive tightening of screw.
 - Avoid shocks to the screw.

Air Spray Image

Part Number Type	No.	Orifice	Air Flow Rate L/Min (for 0.3MPa)	Weight (g)	Unit Price 1~4 pc(s).	Volume Discount Rate 5~
AFTRW	30	16-Ø1	560	15		

Ordering Example: Part Number **AFTRW30**


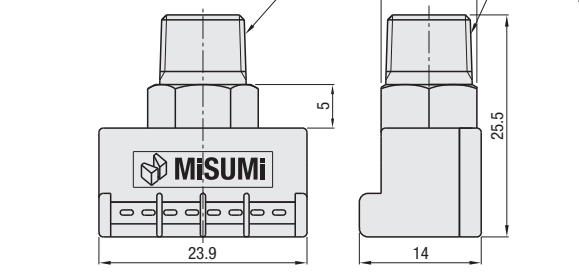
Days to Ship [Configure Online](#)

Compact RoHS 10

Type	Material	Max. Operating Pressure	Heat Resistance Temp.
AFTR	Thermoplastic (ABS Plastic)	0.7MPa	70°C

Feature: Suitable for limited space. Easy to mount since air projection angle is vertical to the thread face. Air Nozzles are more compact than Standard Type. (Width: Approx. 60%, Overall Length: Approx. 45% more compact)

- To prevent damage:
 - Avoid excessive tightening of screws.
 - Avoid shocks to the screws.

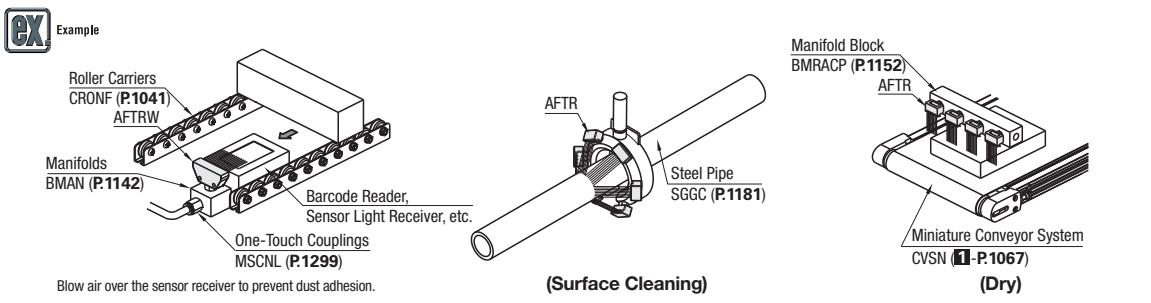
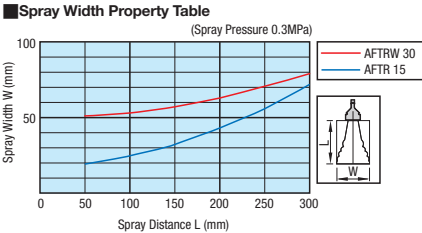
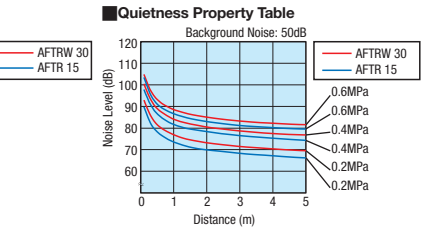
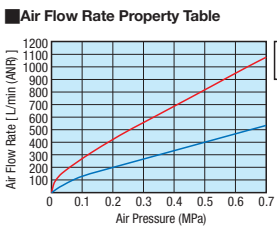



Air Spray Image

Part Number Type	No.	Orifice	Air Flow Rate L/Min (for 0.3MPa)	Weight (g)	Unit Price 1~4 pc(s).	Volume Discount Rate 5~
AFTR	15	8-Ø0.6x1.5	260	4		

Ordering Example: Part Number **AFTR15**

Days to Ship [Configure Online](#)



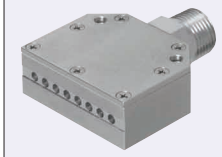
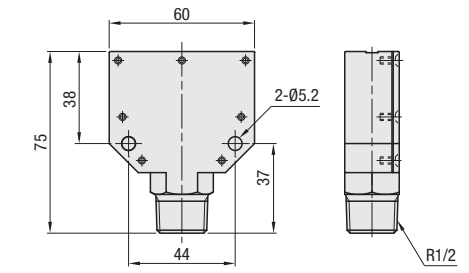
Flat Air Nozzles / High Pressure Blowers

For Blowers

For Blowers RoHS 10

Type	Material	Max. Operating Pressure	Heat Resistance Temp.
AFTBA	5052 Aluminum Alloy	0.7MPa	200°C

Feature: Nozzle suitable for high flow rate air blow based on blowers. Blower-based air supply enables power and air consumption. This Air Nozzle is good for long time continuous air spray.

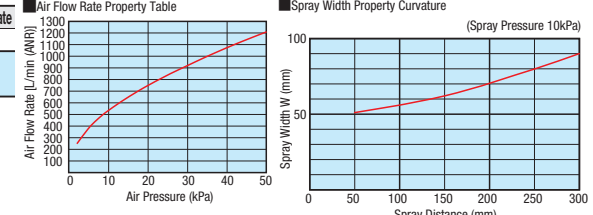



Air Spray Image

Part Number Type	No.	Orifice	Weight (g)	Unit Price 1~4 pc(s).	Volume Discount Rate 5~
AFTBA	80	8-Ø4	105		


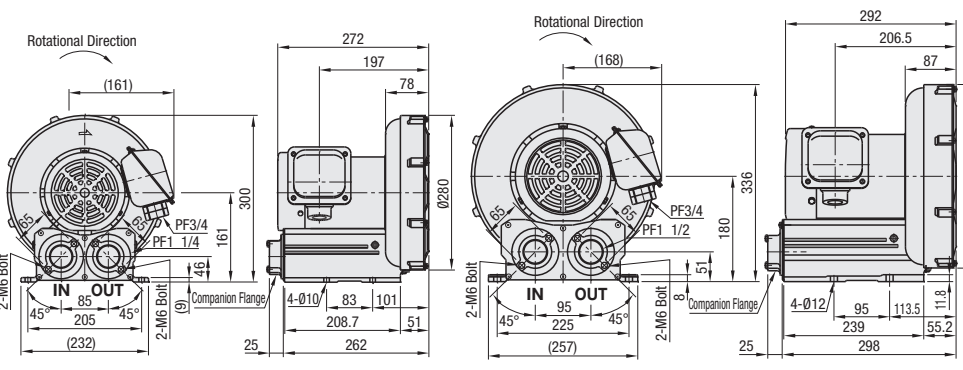
Ordering Example: Part Number **AFTBA80**

Days to Ship [Configure Online](#)



High Pressure Blowers RoHS 10

VBYE **VBYG**

Part Number Type	Number of Phases	Power Supply Voltage (V)	Suction Properties						Discharge Properties			Max. Air Volume (m³/min)	Noise (dB)	Striking Current (A)	Mass (Kg)	Unit Price 1 unit
			Rated Value	Maximum Feature	Maximum Feature	Maximum Feature	Maximum Feature	Maximum Feature								
VBYE	3-phase	200	50	0.9	4.4	9.7	0.35	1.8	10.2	0.38	1.9	1.7	58	17.4(50Hz)	17.5	
			60	1.3	4.4	12.3	0.53	2.2	12.7	0.56	2.3	2	62	16.7(60Hz)		
VBYG	3-phase	200	50	1.2	6.5	11.5	0.63	2.9	12.3	0.67	3.1	2.6	63	22(50Hz)	21.5	
			60	2	5.9	13.3	0.88	3.6	13.5	0.9	3.7	3.1	66	20(60Hz)		

Ordering Example: Part Number **VBYE**

Days to Ship [Configure Online](#)

