
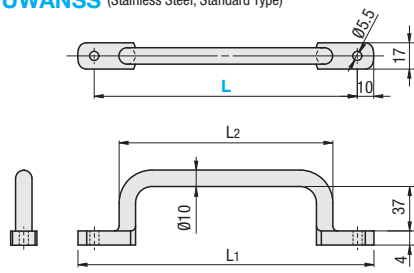


# Pull Handles for Aluminum Extrusions

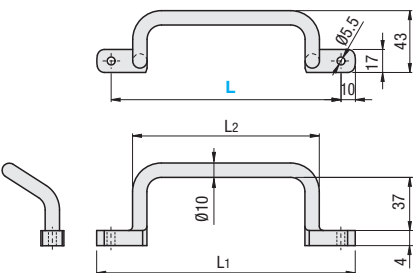
**Round Bar Pull Handles** RoHS10



**UWASN** (Steel, Standard Type)  
**UWASNB** (Steel, Standard Type)  
**UWANSN** (Stainless Steel, Standard Type)

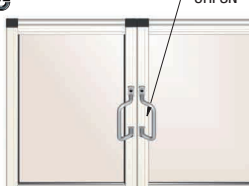


**UHFSN** (Steel, Angle Type)  
**UHFSNB** (Steel, Angle Type)  
**UHFNSS** (Stainless Steel, Angle Type)




Type	Material	Surface Treatment
UWASN UHFSN	12L13 Carbon Steel	Chrome Plating
UWASNB UHFSNB	12L13 Carbon Steel	Black Oxide
UWANSN UHFNSS	304 Stainless Steel	Buffed Finish

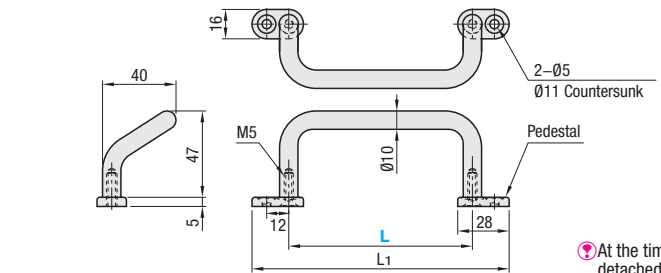
Part Number	Type	L	L1	L2	Unit Price		
					UWASN	UWASNB	UWANSN
	Standard Type	110	130	80			
	Angle Type	120	140	90			
	UWASN (Steel)	125	145	95			
	UWASNB (Steel)	160	180	130			
	UWANSN (Stainless Steel)	200	220	170			
		250	270	220			

**Example** 


**Offset Pull Handles with Mounting Plates** RoHS10



**UHFNGG** (Steel)  
**UHFNSG** (Stainless Steel)  
**UHFNEAG** (Aluminum)



**UHFGG** (Steel)  
**UHFGS** (Stainless Steel)  
**UHFEAG** (Aluminum)



Type	Material	Surface Treatment	Pedestal G	Pedestal S	Screw
UHFGG	12L13 Carbon Steel	Chrome Plating	Zinc Diecast	304 Stainless Steel	SHFBSS-12
UHFGS	304 Stainless Steel	Buffed Finish	Electrostatic Paint (Silver)	304 Stainless Steel	M304 Stainless Steel
UHFEAG	Aluminum Alloy	Clear Anodize (white)			2 screws are included.

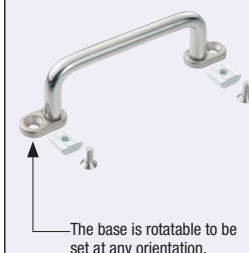
Part Number	Type	L	Base Select	L1	Allowable Load (N)	Reference Mass (g)	Unit Price		
							UHFGG	UHFGS	UHFEAG
		48	G (Zinc Diecast) S (304 Stainless Steel)	86	2000	90			
		66		104		100			
		88		126		114			
		100		138		122			
		110		148		127			
		120		158		134			
		125		163		136			
		160		198		158			

Ordering Example: Part Number - Pedestal  
**UWASN110**  
**UHFGG48** - S

Price [Configure Online](#)

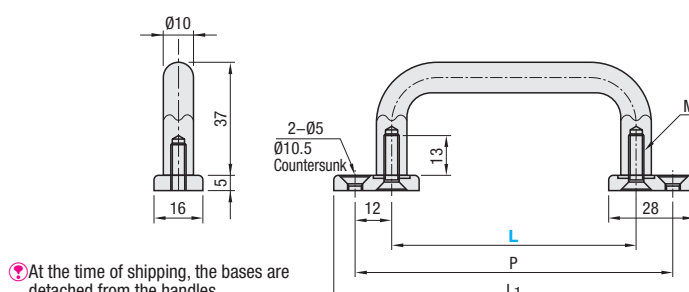
Days to Ship [Configure Online](#)

**Round Bar Pull Handles with Mounting Plates** RoHS10



The base is rotatable to be set at any orientation.

**UWANGF** (Steel)  
**UWANGSGF** (Stainless Steel)



Type	Material	Surface Treatment	Accessories					
Type	Material	Surface Treatment	Pedestal UWANGF		Pedestal UWANGSGF		Nut	Screw
			Material	Surface Treatment	Material	Surface Treatment	Material	Material
UWANGF	12L13 Carbon Steel	Chrome Plating	Zinc Diecast	Electrostatic Paint (Silver)	304 Stainless Steel	-	HNTTSN	SHFBSS
UWANGSGF	304 Stainless Steel	Buffed Finish					M316 Stainless Steel	M304 Stainless Steel

At the time of shipping, the bases are detached from the handles.

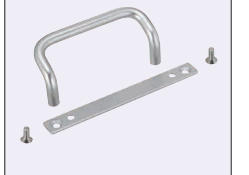
Part Number	Type	L	Compatible Extrusion Selection	P	L1	Allowable Load (N)	Unit Price	
							UWANGF	UWANGSGF
		80	5 (20 Square) 6 (30 Square) 8 (40/45 Squares)	104	118	2000		
		100		124	138			
		110		134	148			
		120		144	158			
		125		149	163			
		160		184	198			
		200		224	238			
		250		274	288			

Ordering Example: Part Number - Compatible Extrusion Selection  
**UWANGF100** - 5

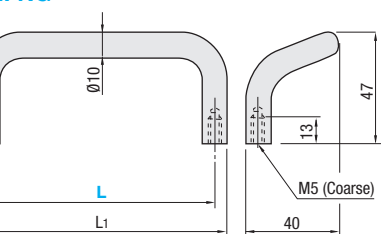
Price [Configure Online](#)

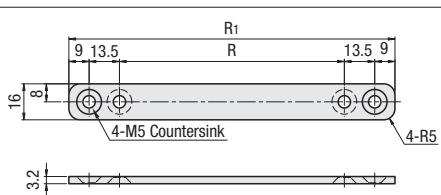
Days to Ship [Configure Online](#)

**Offset Pull Handles with Mounting Plates** RoHS10



**UHFGG** (Steel)  
**UHFGS** (Stainless Steel)  
**UHFEAG** (Aluminum)





Name of Parts	Material	Surface Treatment	Accessories
Handle	6063 Aluminum Alloy	Anodize	SHFBSS-12
Plate			M304 Stainless Steel

2 screws are included.

Part Number	Type	L	L1	R	R1	Reference Mass (g)	Unit Price
							Example
		100	110	100	145	50	
		120	130	120	165	52.5	
		125	135	125	170	54	

The default L dimension will be 100 unless specified.

Ordering Example: Part Number  
**UHFGG120**

Days to Ship [Configure Online](#)

Price [Configure Online](#)

