

Aluminum Hinges / Aluminum Hinges for Different Extrusion Sizes

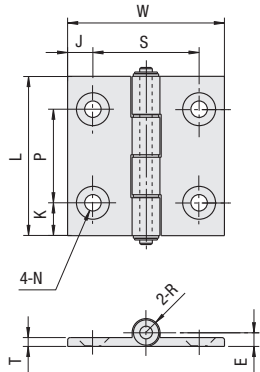
Aluminum Hinges with Tabs / Aluminum Hinges with Slotted Holes

Aluminum Hinges for Different Extrusion Sizes

RoHS



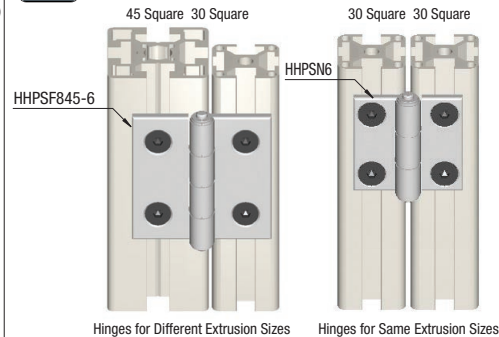
HHPSN (Clear Anodize)
HHPBSN (Black Anodize)
HHPSF (For Different Extrusion Sizes: Clear Anodize)



Material: 6063-T5 Aluminum Alloy Bushing: Polyacetal
 Surface Treatment: Anodize



Example



Hinges for Different Extrusion Sizes Hinges for Same Extrusion Sizes
•Hinges for Different Extrusion Sizes
 HHPSF 6-5: Mounts 20 SQ. (6mm W slot) extrusion on 30 SQ. extrusion (8mm W slot).
 HHPSF 8-6: Mounts 30 SQ. (8mm W slot) extrusion on 40 SQ. extrusion (10mm W slot).
 HHPSF845-5: Mounts 20 SQ. (6mm W slot) extrusion on 45 SQ. extrusion (10mm W slot).
 HHPSF 8-5: Mounts 20 SQ. (6mm W slot) extrusion on 40 SQ. extrusion (10mm W slot).
 HHPSF845-6: Mounts 30 SQ. (8mm W slot) extrusion on 45 SQ. extrusion (10mm W slot).
 When mounting the hinges on panels, T Slot Hinge Nuts are recommended on **P.763**

Part Number	* Allowable Load	Mass	L	W	K	P	J	S	N		T	E	R	Screw / Nut		Clear Anodize	Black Anodize
									Through	Countersunk				Screw	Nut		
HHPSN HHPBSN (Black Anodize)	5	22	47	36	11	25	7.5	21	5.5	11	5	5	5	Flathead Screw 5-8	HNTT5-5	1-8 pc(s).	9~
	6	30	48	48	8.5	30	8	32	6.5	13	3.5	5.5	5.5	Flathead Screw 6-10	HNTT6-6	1-8 pc(s).	9~
	8	48	62	62	13	37	10	42	6.5	13	4.5	5.5	5.5	Flathead Screw 6-12	HNTT8-6	1-8 pc(s).	9~
HHPSF (For Different Extrusion Sizes)	6-5	22	47	44.75	8.5	30	10.75	26.5	5.5	11	3.5	5.5	5.5	Flathead Screw 5-8	HNTT5-5	1-8 pc(s).	9~
	8-5	30	48	54.25	13	37	15.25	31.5	5.5	11	3.5	5.5	5.5	Flathead Screw 6-10	HNTT6-6	1-8 pc(s).	9~
	8-6	48	62	62	13	37	12.5	37	6.5	13	4.5	5.5	5.5	Flathead Screw 6-12	HNTT8-6	1-8 pc(s).	9~

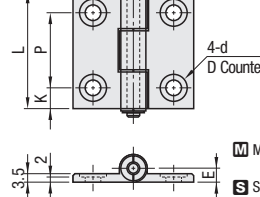
* The allowable load is the value when 2 pieces are used.

Aluminum Hinges Extra Low Head Cap Screw Type

RoHS



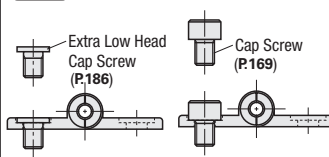
HHPSNT



Material: 6063 Aluminum Alloy, Bushing: Polyacetal
 Surface Treatment: Clear Anodize



Example



Normal cap screws can be used for installation.
 Extra Low Head Cap Screw (P.186)
 Cap Screw (P.169)
 When mounting the hinges on panels, T Slot Hinge Nuts are recommended on **P.763**

Part Number	* Allowable Load	Mass	L	W	K	P	J	S	d	D	E	Screw / Nut		Unit Price	Volume Discount Rate
												Screw	Nut		
HHPSNT	5	22	47	36	11	25	7.5	21	5.5	10	5	CBSA5-6	HNTT5-5	1-8 pc(s).	9~
	6	34	48	48	8.5	30	8	32	6.5	11	5.5	CBSA6-8	HNTT6-6	1-8 pc(s).	9~
	8	49	62	62	13	37	10	42	6.5	11	5.5	CBSA6-10	HNTT8-6	1-8 pc(s).	9~

* The allowable load is the value when 2 pieces are used.

Ordering Example Part Number **HHPSN6**

Alterations Part Number - (SET / SST)
HHPSN6 - SET

Days to Ship **Configure Online**

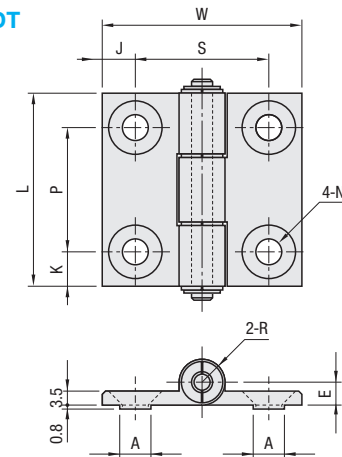
Alterations	Code	Spec.	Hinge	No.	Price Adder		
					SET	SST	
Applicable Screw and Nut Set	SET SST (Stainless Steel)	Applicable screws and nuts come in a set. When SST is specified, screws and nuts will be in stainless steel. When -SET is specified, the material of the Flathead Screws is 4137 Alloy Steel and their surface treatment is Black Oxide.	HHPSN	5			
			HHPBSN	6			
				8	8-45		
				5			
			HHPSNT	6			
				8			
				6-5	845-5		
			HHPSF	8-5	8-6		
		845-6					

Aluminum Hinges with Tabs

RoHS



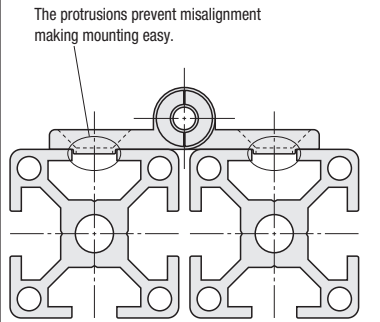
HHPSDT



Material: 6063 Aluminum Alloy, Bushing: Polyacetal
 Surface Treatment: Clear Anodize



Example



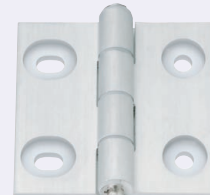
The protrusions prevent misalignment making mounting easy.
 When mounting the hinges on panels, T Slot Hinge Nuts are recommended on **P.763**

Part Number	* Allowable Load	Mass	L	W	K	P	J	S	N		E	A	R	Screw / Nut		Unit Price	Volume Discount Rate
									Through	Countersunk				Screw	Nut		
HHPSDT	5	23	47	36	11	25	7.5	21	5.5	11	5	5.5	5	Flathead Screw 5-8	HNTT5-5	1-8 pc(s).	9~
	6	35	48	48	8.5	30	8	32	6.5	13	5.5	7.5	5.5	Flathead Screw 6-10	HNTT6-6	1-8 pc(s).	9~
	8	51	63	62	13	37	10	42	6.5	13	5.5	9.5	5.5	Flathead Screw 6-12	HNTT8-6	1-8 pc(s).	9~

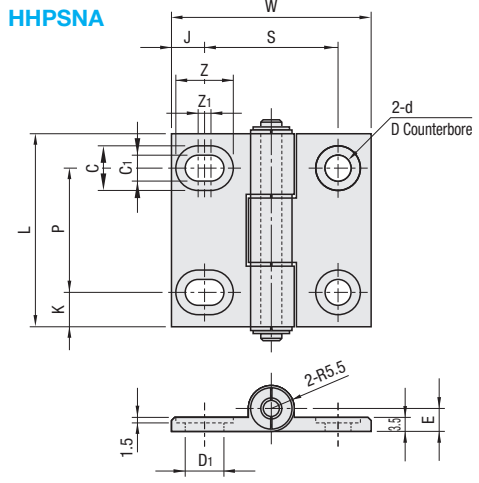
* The allowable load is the value when 2 pieces are used.

Aluminum Hinges with Slotted Holes

RoHS



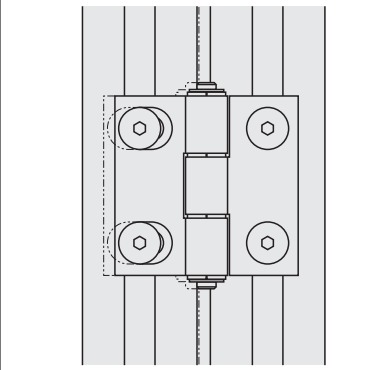
HHPSNA



Material: 6063 Aluminum Alloy, Bushing: Polyacetal
 Surface Treatment: Clear Anodize



Example



Slotted mounting holes make it possible to adjust right and left positions.
 When mounting the hinges on panels, T Slot Hinge Nuts are recommended on **P.763**

Part Number	* Allowable Load	Mass	L	W	K	P	J	S	d	D	D1	C	C1	Z	Z1	E	Screw / Nut		Unit Price	Volume Discount Rate
																	Screw	Nut		
HHPSNA	5	22	47	36	11	25	7.5	21	5.5	10	7	10	5.5	11.5	1.5	5	CBSA5-6	HNTT5-5	1-8 pc(s).	9~
	6	32	48	48	8.5	30	8	32	6.5	11	9.5	11	6.5	14	3	5.5	CBSA6-8	HNTT6-6	1-8 pc(s).	9~
	8	47	63	62	13	37	10	42	6.5	11	11.5	11	6.5	16	5	5.5	CBSA6-10	HNTT8-6	1-8 pc(s).	9~

* The allowable load is the value when 2 pieces are used.

Ordering Example Part Number **HHPSDT6**
HHPSNA6

Alterations Part Number - (SET / SST)
HHPSDT6 - SST

Days to Ship **Configure Online**

Alterations	Code	Spec.	Hinge	No.	Price Adder	
					SET	SST
Applicable Screw and Nut Set	SET SST (Stainless Steel)	Include applicable screws and nuts as a set. When SST is specified, screws and nuts will be in stainless steel. HHPSNA is available for -Set only. When -SET is specified, the material of the Flathead Screws is 4137 Alloy Steel and their surface treatment is Black Oxide.	HHPSDT	5		
				6		
				8		
			HHPSNA	5		
				6		
				8		