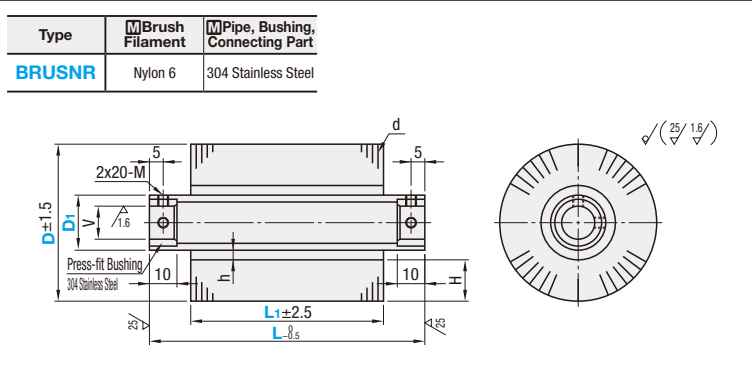


# Roll Brush

Tight Rolled / Pitch Configurable



RoHS10



Part Number		D	L	L1	V	h	d	H	M	Proper Motor Power	
Type	D1			5mm Increment						(Unit: kW) Reference Value	
BRUSNR	20	50	100	20-320 L1≤L-30	12	3.5	0.21	11.5	4	0.4	
		60						16.5			
		80						26.5			
	30	70	250					14.5		5	0.4
		80						19.5			
		100						29.5			
	120	350	39.5	1.25							

I.D.Tolerance (Bushings)	
L	V
100	
150	H9
250	
350	+0.1/0

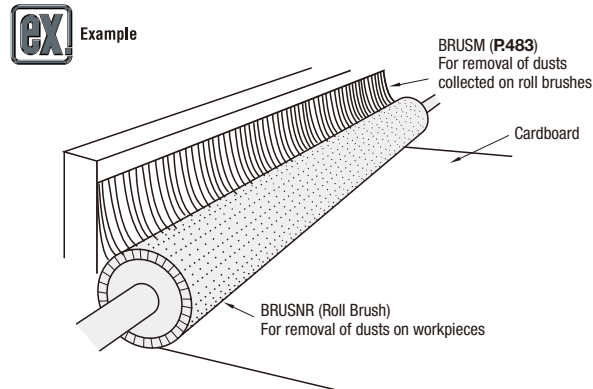
Ordering Example: Part Number - D - L - L1  
BRUSNR20 - 80 - 150 - 100

Days to Ship [Configure Online](#)

Price [Configure Online](#)

Part Number	Type	D1	D	L	Unit Price					
					L1 (5mm Increment)					
					20-100	105-150	155-200	205-250	255-300	305-320
BRUSNR	20	20	50	100						
	30	30	70	150						
20	20	50	250							
30	30	70	350							

Part Number	Type	D1	D	L	Unit Price					
					L1 (5mm Increment)					
					20-100	105-150	155-200	205-250	255-300	305-320
BRUSNR	20	20	70	100						
	30	30	70	150						
20	20	70	250							
30	30	70	350							



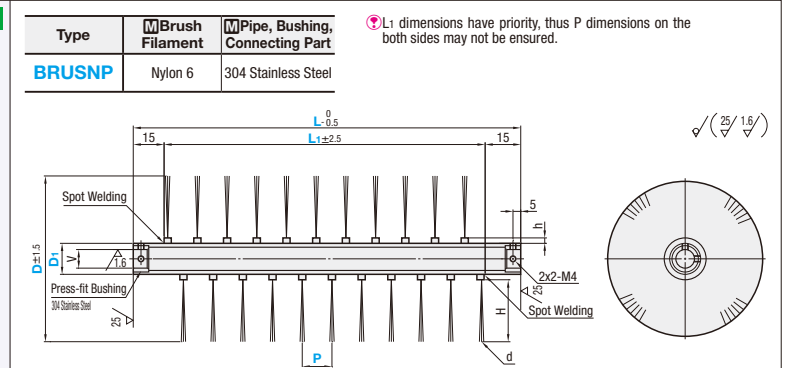
Alterations [Part Number](#) - D - L - L1 - DC  
BRUSNR20 - 80 - 150 - 100 - DC75

Alterations	Brush Trimming	
	Changes brush O.D.	
Code	DC	
Spec.	5mm Increment, Ordering Code DC85	
	DC<D	
Price Adder	DC	L1
	5mm Increment	20-100 101-250 251-320

Pitch configurable roll brush to minimize the clogging.



RoHS10



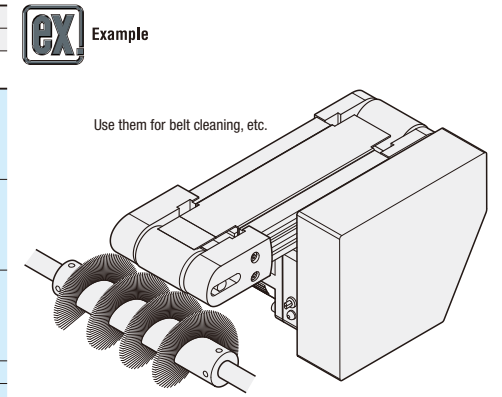
Part Number		D	L	L1	P	V	h	d	H	M	Proper Motor Power	I.D.Tolerance (Bushings)								
Type	D1			5mm Increment							(Unit: kW) Reference Value	L	V							
BRUSNP	20	50	100	20-320 L1≤L-30	20	12	5.5	0.3	13.5	4	0.4	100	H9							
		60	14.5																	
		80	23.5																	
		30	30						70		250	0.75	40	5.5	0.3	29.5	5	0.75	150	+0.1/0
									80		32.5									
									100		350									

Ordering Example: Part Number - D - L - L1 - P  
BRUSNP20 - 60 - 250 - 200 - 20

Days to Ship [Configure Online](#)

Price [Configure Online](#)

Part Number	Type	D1	D	L	Unit Price					
					L1 (5mm Increment)					
					20-100	105-150	155-200	205-250	255-300	305-320
BRUSNP	20	20	50	100						
	30	30	70	150						
20	20	70	250							
30	30	70	350							



- Precaution for Use**
- Brush's service life will vary depending on usage conditions and frequency. The filaments may break or fall out depending on usage condition. Do not unduly tug the filaments or disassemble the brush.
  - Maximum temp limit for the filaments is 100°C. The filaments will melt and fall off at above 100°C.
  - Nylon 6 dissolves in strong hydrochloric acid, sulfuric acid, formic acid, and phenolic acid.
  - Brush press contact length should be 2mm or less. Do not press further than necessary.
  - Use the brush at less than 1000rpm.
  - Motor power values shown are experimental ones for reference only. Actual motor power needed may be larger depending on how the brush is used.

- Precaution for Use and Storage**
- Beware of the deformation of the filaments in storage. If the brush is left in contact with workpieces while being stored, the filaments may be deformed plastically. Also avoid filament tips from contacts when storing brushes by themselves.
  - Dry before storage.
  - Remove any foreign objects from the brush.
  - Do not use in high temp. environment or near fire.

Alterations [Part Number](#) - D - L - L1 - DC  
BRUSNP20 - 80 - 150 - 100 - DC55

Alterations	Brush Trimming	
	Changes brush O.D.	
Code	DC	
Spec.	5mm Increment, Ordering Code DC85	
	DC<D	
Price Adder	DC	L1
	5mm Increment	20-100 101-250 251-320