


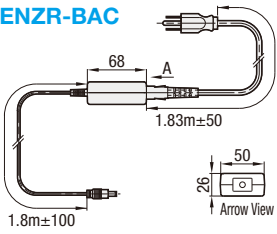
AC Adapters for Ionizers / Nozzle Attachments

Tube Type / Stainless Steel Bar Type

For Fan Type AC Adapter




ENZR-BAC

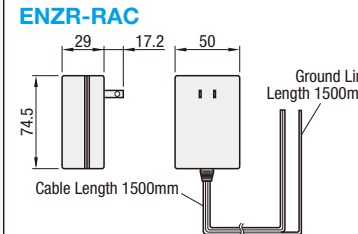


Input Voltage	AC100~240V 50/60Hz
Output Voltage	DC24V
Qty.	ENZR-B can drive up to two.
Mass	Approx. 270g

For Nozzle Type AC Adapter



ENZR-RAC




Input Voltage	AC100V~240V 50/60HZ
Output Voltage	DC24V
Mass	Approx. 160g

Part Number	Unit Price
ENZR-BAC (AC Adapter for Fan Type)	
ENZR-RAC (AC Adapter for Nozzle Type)	

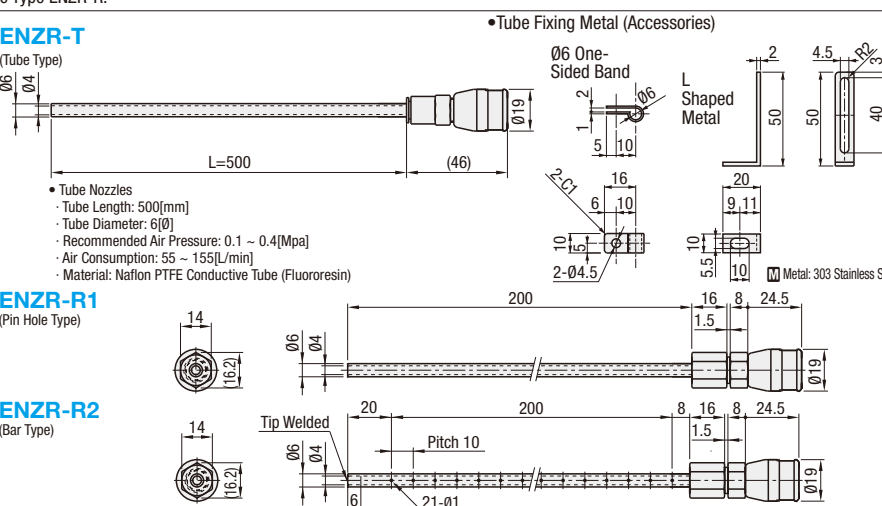
■ Dedicated attachment for Nozzle Type ENZR-R.

■ Nozzle Attachments



ENZR-T
(Tube Type)

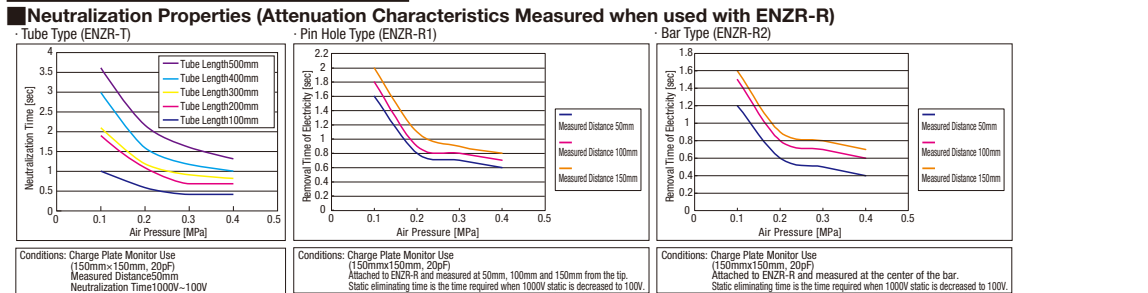
- Tube Nozzles
- Tube Length: 500(mm)
- Tube Diameter: 6[Ø]
- Recommended Air Pressure: 0.1 ~ 0.4[MPa]
- Air Consumption: 55 ~ 155[L/min]
- Material: Nafion PTFE Conductive Tube (Fluororesin)



• Tube Fixing Metal (Accessories)

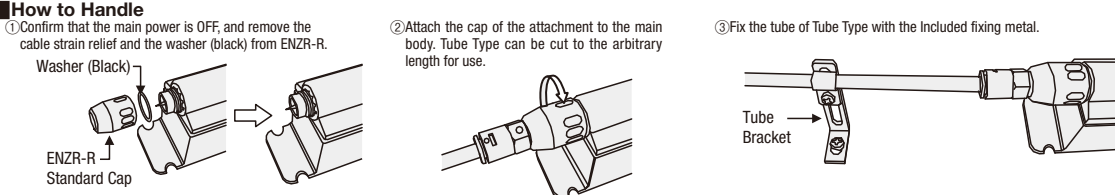
• Material: Metal Part: 304 Stainless Steel Plastic Part: ABS Resin

Part Number	Nominal	Unit Price
ENZR-T (Tube Type)	-	
ENZR-R1 (Pin Hole Type)	200	
ENZR-R2 (Bar Type)	200	



■ How to Handle

- Confirm that the main power is OFF, and remove the cable strain relief and the washer (black) from ENZR-R.
- Attach the cap of the attachment to the main body. Tube Type can be cut to the arbitrary length for use.
- Fix the tube of Tube Type with the included fixing metal.

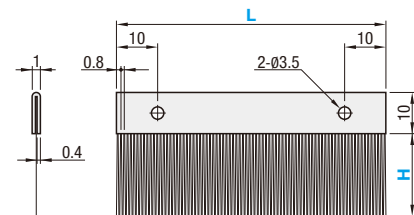


Part Number	Nominal	Unit Price
ENZR-T	-	
ENZR-R1	200	

Neutralizer Brushes / Conductive Copper Foil Tape / Neutralizer Tape

■ Neutralization Brushes

Type	Material	
	Holder	Brush
EBRS	1050 Aluminum Alloy	304 Stainless Steel (12µm)

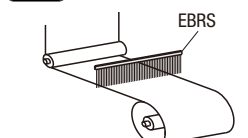


When L≥201, there will be 3 holes at 10mm from both ends and the center.

Part Number	Type	H	L 1mm Increments	Unit Price				
				L50-100	L101-200	L201-300	L301-400	L401-500
EBRS		10 20	50~500					

Ordering Example: **EBRS10** - L 500 Price **Configure Online**

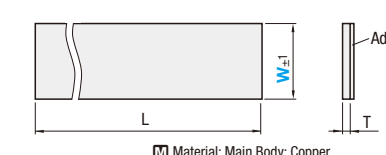
Days to Ship **Configure Online**



Static prone locations of transfer lines.

■ Conductive Copper Foil Tape

ECTP



Material: Main Body: Copper Adhesive Part: Conductive Adhesives

■ Feature

- Usable in a wide range of applications to secure electroconductivity of equipments.
- Electroconductive adhesive with electric resistance of 160mΩ/4cm² is used.

■ Characteristic Value

Item	Unit	Value
Electric Resistance of Adhesive Layer	mΩ/4cm ²	160
Tensile Strength	N/cm	39.2
Adhesive Strength (for Stainless Steel/80 Degree Peeling Strength)	gf/20mm	700
Elongation	%	-

For orders larger than indicated quantity, please request a quotation.

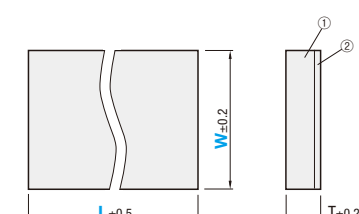
Part Number	L (Meter)	T (mm)	Unit Price	Volume Discount Rate
ECTP	50	10	0.08	1~19 pc(s) 20~50

Ordering Example: **ECTP50** Days to Ship **Configure Online**

■ Neutralization Tapes

ELTA

Type	Material	
	①	②
ELTA	Silver Plating Polyester Fiber	Electric Conductivity Acrylic Adhesive Layer



Part Number	Type	W	L 1mm Increments	T	Unit Price				
					L20-100	L101-200	L201-300	L301-400	L401-500
ELTA		10 25 50	20~500	0.6					

Ordering Example: **ELTA10** - L 500 Days to Ship **Configure Online** Price **Configure Online**