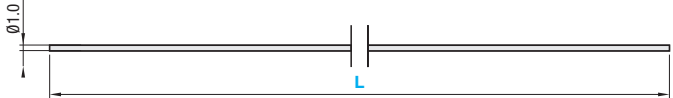


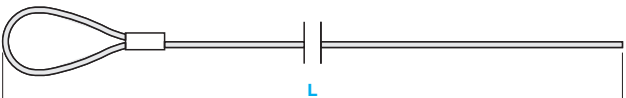
Wire Lynyards - Configurable Length / Accessories/ Crimping Tools

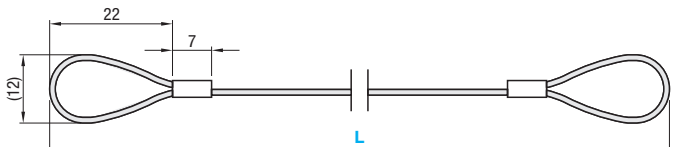
Not for Lifting

Wires RoHS10

LPWW

A Shape 

B Shape 

C Shape 

Dimension in () is for reference only. Material: 304 Stainless Steel

Part Number Type	Shape	L 50mm Increment	Allowable Load (Ref.)	Unit Price		
				A	B	C
LPWW	A B C	100~500	9kg			
		550~1000				

The reference applied load is only a guideline.

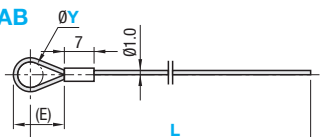
Ordering Example: Part Number LPWW C - L 850

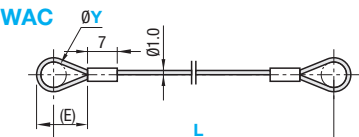
Days to Ship [Configure Online](#)

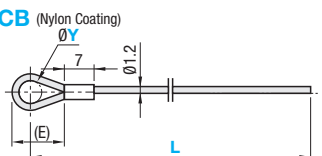
Price [Configure Online](#)

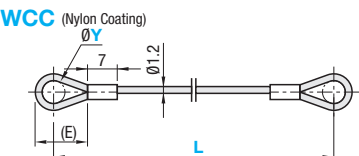
Wires RoHS10

Loop Dia. Configurable

CWAB 

CWAC 

CWCB (Nylon Coating) 

CWCC (Nylon Coating) 

Wire Material: 304 Stainless Steel

Part Number Type	Y Selection	L Configurable	(E)	Allowable Load (Ref.)				Mass (Wire only)				Unit Price			
				CWAB	CWCB	CWAC	CWCC	CWAB	CWCB	CWAC	CWCC	CWAB	CWCB	CWAC	CWCC
CWAB (One Side)	10	100~500 (10mm Increment)	20	9kg	5kg	3.97 g/m	4.49 g/m								
		550~1000 (50mm Increment)													
CWAC (Both Sides)	15	100~500 (10mm Increment)	30	9kg	5kg	3.97 g/m	4.49 g/m								
		550~1000 (50mm Increment)													
CWCB (One Side)	20	100~500 (10mm Increment)	40	9kg	5kg	3.97 g/m	4.49 g/m								
		550~1000 (50mm Increment)													

Ordering Example: Part Number CWAB 10 - L 500

Days to Ship [Configure Online](#)

Price [Configure Online](#)


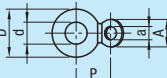
Alterations

Part Number	L	DW(TKC)	DW(TKC)
CWAB10	500	DW3	DW5
CWAC15	800	DW4	TKC
CWCC20	850		

Bracket on Looped Part

Shipped with bracket set on the looped part. One metal joint for CWAB and CWCB and one or two joint(s) for CWAC and CWCC are selectable.
 *Applicable only to CWAB, CWCB, CWAC, CWCC.

Spec.

Mounting Bracket TKC (P258)	Retainer Washer DW (P258)
	
Material: 304 Stainless Steel	Material: 304 Stainless Steel
Accessories: Flat Head Screw M4-5 2 pcs. (304 Stainless Steel)	
Swage TKC with wire threaded.	Swage DW with its 0a part wire threaded.

Code TKC DW

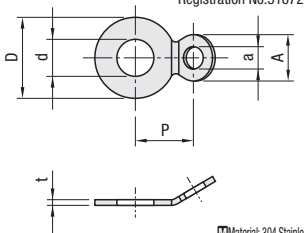
Price Adder

Part Number	Unit Price
TKC	3
DW	4
	5
	6

Retainer Washers RoHS10

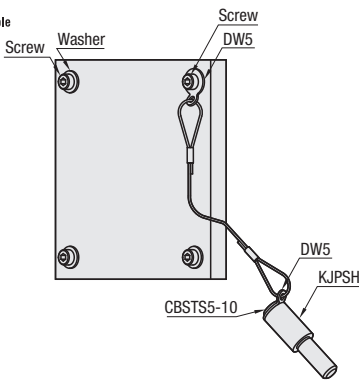
DW

Registered Utility Model Registration No.3167276



Material: 304 Stainless Steel

Part Number Type	Nominal	d	D	P	a	A	t	Unit Price	Volume Discount Rate
								1~9 pc(s).	10~49 pcs.
DW	3	3.2	7	5	2	4	0.5		
	4	4.3	10	6.3	2.5	5	0.8		
	5	5.5	12	8	3	6	1		
	6	6.5	13	9.4	3.5	8	1.5		

Example 

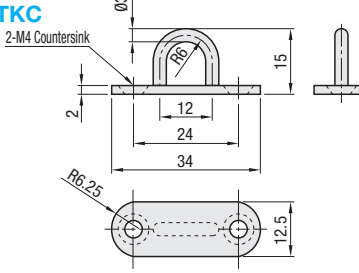
Ordering Example: Part Number DW4

Days to Ship [Configure Online](#)

Mounting Brackets RoHS10

TKC

2-M4 Countersink



Material: 304 Stainless Steel

Accessories: Flat Head Screw M4-5 2 pcs. (304 Stainless Steel)

Part Number	Mass	Applied Load	Unit Price	Volume Discount Rate
TKC	7g	20kg	1~19 pc(s).	20~49 pcs. 50~99 pcs. 100~200 pcs.

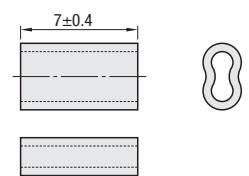
The reference applied load is only a guideline.
 For orders larger than indicated quantity, please request a quotation.

Ordering Example: Part Number TKC

Days to Ship [Configure Online](#)

Crimp Brackets (Package) RoHS10

PACK-WW



Material: 304 Stainless Steel

Pcs. per Package: 10/pkg

Crimping tool for wires (left-hand page).

Part Number	Unit Price	Volume Discount Rate
PACK-WW	1	1~2 pkg(s). 3~4 pkgs. 5~10 pkgs.

Available for Nylon Coating Type.
 For orders larger than indicated quantity, please request a quotation.

Crimping Tools RoHS10

WWN



Material: Special Alloy Steel (Head) / SS41 (Handle) Hardness 60~65HRC (Blade) / 40~45HRC (Clamping Part)

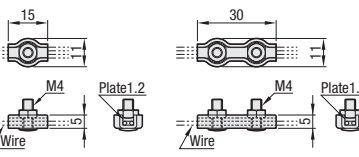
Tool for swaging wires (left-hand page) with crimp bracket (PACK-WW1).

Part Number	Unit Price	Volume Discount Rate
WWN	1~2 pc(s).	3~10 pcs.

For orders larger than indicated quantity, please request a quotation.

Attachment for Anchoring Wire RoHS10

UKC1 **UKC2**



Material: 304 Stainless Steel

Ordering Example: Part Number PACK-WW1 WWN UKC1

Days to Ship [Configure Online](#)

Part Number Type	No.	Mass	Applicable Wire Dia.	Unit Price	Volume Discount Rate
UKC	1	4g	Ø1~1.5	1~4 pc(s).	5~9 pcs. 10~19 pcs. 20 pcs. or More
	2	9g			