



For Pricing and Days to Ship, Please Configure Online.

[Standard] Rotary Stages

Other Information about Stages
 Stage Selection Table P.1639, P.1640
 New Products P.1641
 About Standard Stages P.1642
 Overview, Technical Information P.1643, P.1644



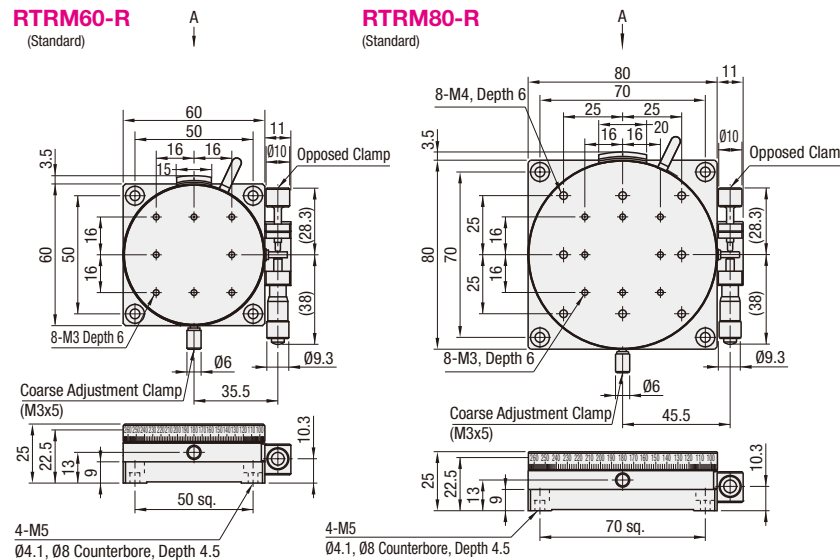
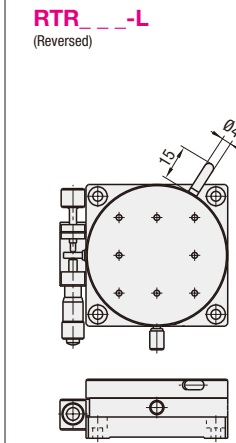
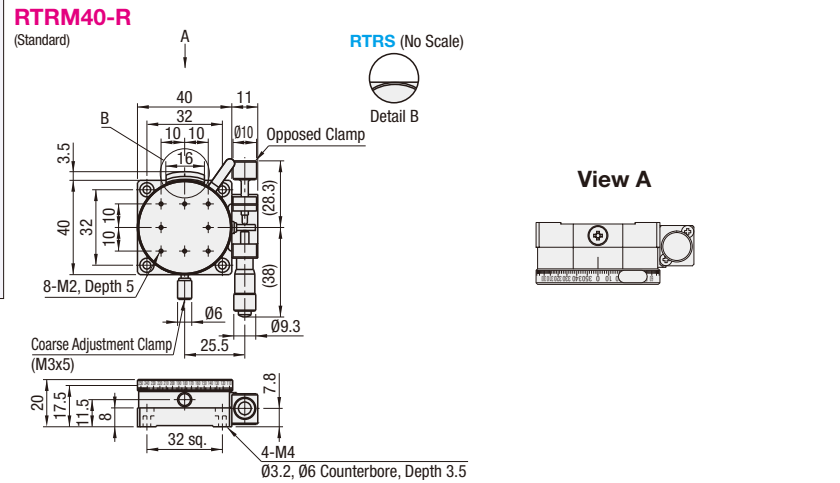
[Standard] Rotary Stages (Square) Micrometer Head

Other Information about Stages
 Stage Selection Table P.1639, P.1640
 New Products P.1641
 About Standard Stages P.1642
 Overview, Technical Information P.1643, P.1644

Feature: Micrometer equipped rotary stages capable of fine feeds after rough adjustment.



RoHS10



See the CAD data for the details.

Material: Aluminum Alloy Surface Treatment: Black Anodize

Rotary Stages High Precision Stage Existing Product: RPG (P.1728)

Type	Part Number		Stage Surface (mm)	Rotation	Load Capacity (N)	Weight (kg)	Unit Price 1~4 pc(s).	
	No.	Micrometer Head Position					RTRM	RTRS
RTRM (W/ Scale)	40	R (Standard)	Ø40	Coarse 360° Fine Feed ±5°	9.8	0.10		
RTRS (No Scale)	60	L (Reversed)	Ø60		29.4	0.27		
	80		Ø80		39.2	0.46		

Bottom plate can be mounted from the top or the bottom. (Ref.) P.1647 For orders larger than indicated quantity, please request a quotation.

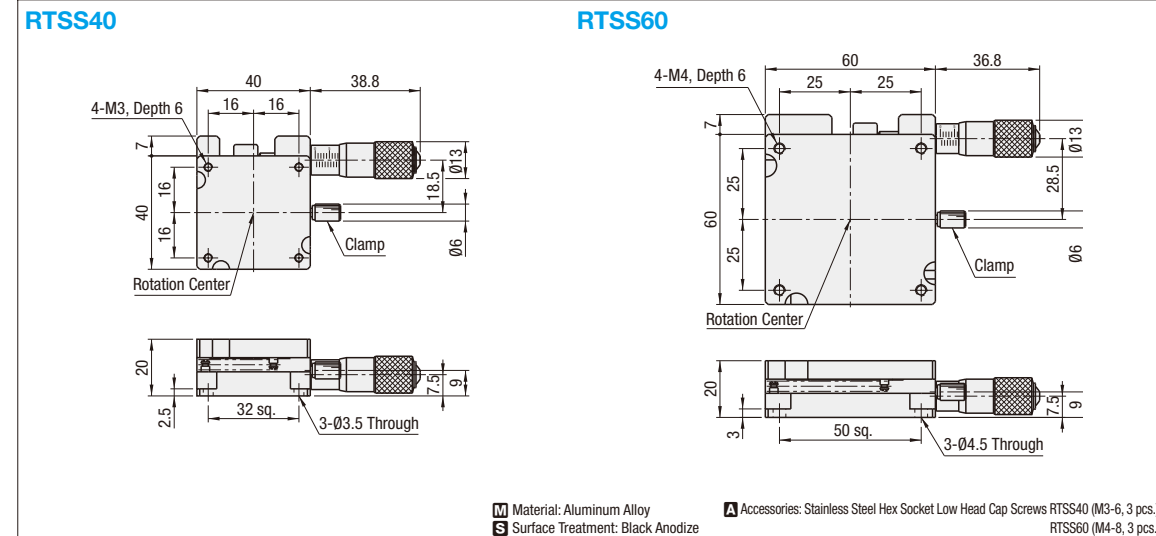
Ordering Example Part Number RTRM40-R RTRS60-L

Days to Ship Configure Online

Feature: Best suited for fine angle adjustments.



RoHS10



Material: Aluminum Alloy Surface Treatment: Black Anodize Accessories: Stainless Steel Hex Socket Low Head Cap Screws RTSS40 (M3-6, 3 pcs.), RTSS60 (M4-8, 3 pcs.)

Part Number Type	Stage Surface (mm)	Rotation (°)	Load Capacity (N)	Resolution ("/Scale)	Parallelism (µm)	Weight (kg)	Unit Price
							1~4 pc(s).
RTSS	40	±10	9.8	≈1'51"	50	0.14	
	60		29.4	≈1'12"		0.26	

For orders larger than indicated quantity, please request a quotation.

Ordering Example Part Number RTSS40

How to Mount Rotary Stages Move the carriage to gain access to the mounting holes. (mounted at 3 locations) See illustrations below.

Days to Ship Configure Online

