

Clamp Plates for Inspection Jigs

L Pins / T Pins

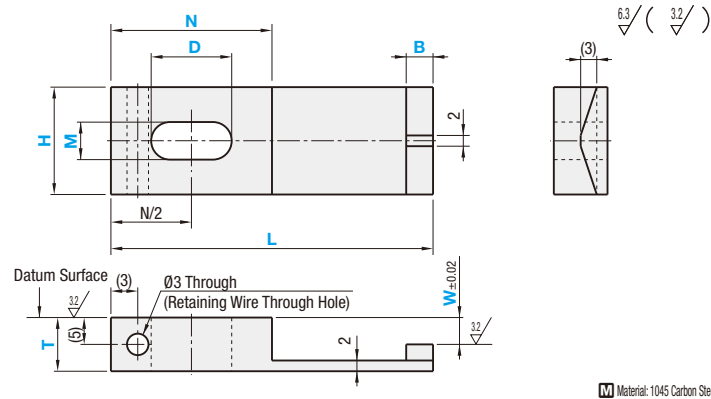
Feature: Clamp plates for clamping inspection jigs and panel parts to set reference positions.

Edge Shape Selectable

KJCLPS



RoHS10



Material: 1045 Carbon Steel

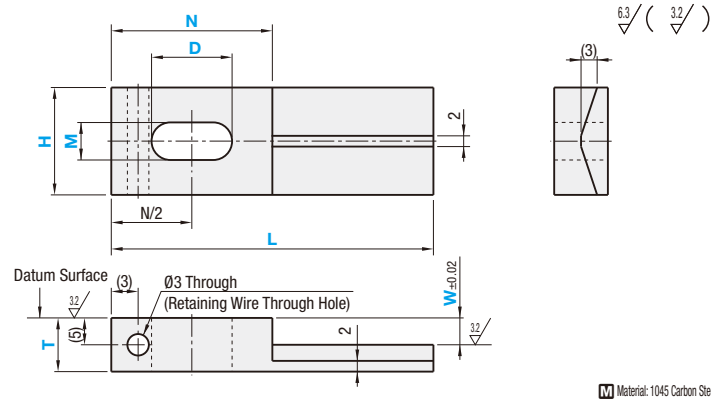
Part Number Type	L	H	B	T	M	D	N	W 0.1mm Increment	Unit Price
KJCLPS	40	15	5	10	5	10	20	When T=10 0~7	
			10				25		
	60	20	5	15	7	20	25		
			10				30		
80	15 20 30	10				(N>D)	35		

Straight Edge

KJCLP



RoHS10



Material: 1045 Carbon Steel

Part Number Type	L	H	T	M	D	N	W 0.1mm Increment	Unit Price
KJCLP	40	15	10	5	10	25	When T=10 0~7	
			15					
	60	20	15	7	20	30		
80	15 20 30				(N>D)	35		

Ordering Example: Part Number - H - B - T - M - D - N - W
 KJCLPS40 - H15 - B5 - T10 - M5 - D10 - N25 - W2.0
 KJCLP60 - H20 - T10 - M7 - D15 - N30 - W3.0

Days to Ship [Configure Online](#)

Price [Configure Online](#)

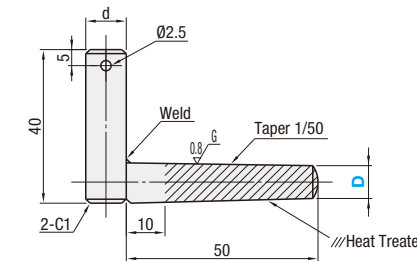
L Pin



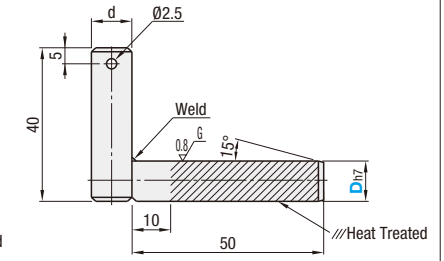
RoHS10

Type	Material	Surface Treatment	Hardness
Tapered	Handle (d dim.) SGD3	Electroless Nickel Plating	23~33HRC
Straight	Pin (D dim.) 1045 Carbon Steel	Black Oxide	

KJL KJLB



KJLSB



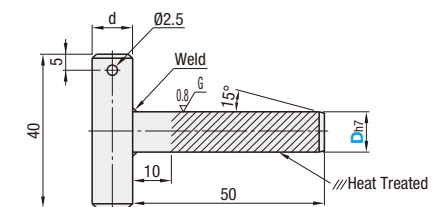
T Pin



RoHS10

Type	Material	Surface Treatment	Hardness
KJTSB	Handle (d dim.) SGD3	Black Oxide	23~33HRC
	Pin (D dim.) 1045 Carbon Steel		

KJTSB



Part Number Type	D	d	Unit Price			
			KJL	KJLB	KJLSB	KJTSB
KJL KJLB KJLSB KJTSB	6	7				
	8	9				
	10	11				

Ordering Example: Part Number
 KJL6
 KJTSB8

Days to Ship [Configure Online](#)

Price [Configure Online](#)