


Clamping Screws

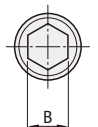
Ball / Angle



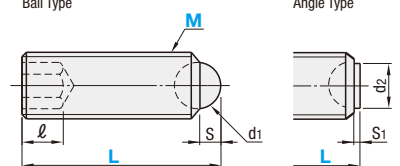
RoHS 10

Type		Main Body			Ball	
Ball Type	Angle Type	Material	Hardness	Surface Treatment	Material	Hardness
RSM	FSM	4137 Alloy Steel	38~43HRC	Black Oxide	S2100 Bearing Steel	55~60HRC
RSU	FSU	302HQ Stainless Steel	-	-	440C Stainless Steel	55HRC~
RSUC	-	-	-	-	Alumina	1100HV

Ball Type



Angle Type



Ball Type										
Part Number	L		d1	B	ℓ	S	Allowable Load (kN)	Mass (g)	Unit Price	
Type	M								RSM	RSU
RSM RSU	3	5.2 10.2	1.5	1.5	1.2	0.5	0.5	0.2~0.4		
	4	6.5 10.5 16.5	2.5	2		0.8	1.3	0.4~1		
	5	8.6 12.6 20.6	3	2.5	2	1	1.4	0.8~2.3		
	6	10.8 16.8 20.8 25.8	4	3	3.5	1.3	3.3	1.5~4		
	8	*11.2 13.2 21.2 26.2 31.2	5.6	4	5 (2.5)	1.8	3.9	2.5~9		
	10	*13.7 17.7 21.7 26.7 36.7	7.1	5	6 (3.5)	2.3	3.4	5~16		
	12	*18 22 32 42	8.7	6	8 (3)	2.8	4.8	10~28		
16	*23.3 38.3 53.3	11.9	8	10 (3)	4.3	8.9	22~48			

Angle Type										
Part Number	L		d1	B	ℓ	S	Allowable Load (kN)	Mass (g)	Unit Price	
Type	M								FSM	FSU
RSUC	4	6.5 10.5 16.5	2.5	2		0.8	1.3	0.4~1		
	5	8.6 12.6 20.6	3	2.5	2	1	1.4	0.8~2.3		
	6	10.8 16.8 25.8	4	3	3.5	1.3	3.3	1.5~4		
	8	13.2 21.2 31.2	5.5	4	5	1.8	3.9	2.5~9		
	10	17.7 26.7	7	5	6	2.3	3.4	5~16		
	12	22 42	8.5	6	8	2.8	4.8	10~28		

Angle Type										
Part Number	L		d2	B	ℓ	S1	Allowable Load (kN)	Mass (g)	Unit Price	
Type	M								FSM	FSU
FSM FSU	4	6 10 16	2	2		0.3	1.3	0.4~1		
	5	8 12 20	2.5	2.5	2	0.4	1.4	0.8~2.3		
	6	10 16 20 25	3.2	3	3.5	0.6	3.3	1.5~4		
	8	*10 12 20 25 30	4.5	4	5 (2.5)	0.8	3.9	2.5~9		
	10	*12 16 20 25 35	6	5	6 (3.5)	0.8	3.4	5~16		
	12	*16 20 30 40	7.2	6	8 (3)	1	4.8	10~28		
FSM	16	*20 25 35 50	10.7	8	10 (3)	1.3	8.9	22~48		

⌀ dimension for *marked L dimension is in ().

Ordering Example

Part Number - L

RSM4 - 10.5

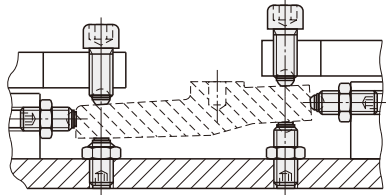
Days to Ship

Configure Online

Price

Configure Online


EX Example



Notes on Clamping Screws
 This product is used not to rotate face balls but to clamp works. (The face balls may or may not rotate when tightening the clamping screw.
 For Angle Type, the face ball is free to rotate 360° in all directions. Because of this, the flat portion may rotate inside of the clamp screw. If this needs to be avoided, use the Non-reverse Type.

Clamping Screws / High Locked Screws

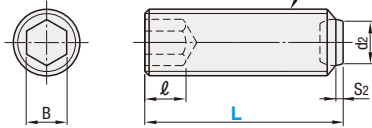
Non-Reverse / Serrated



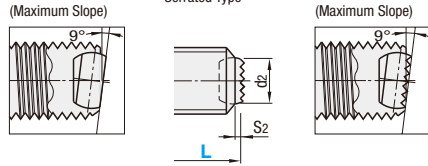
RoHS 10

Type		Main Body			Ball	
Non-Reverse Type	Serrated	Material	Surface Treatment	Material	Hardness	
FSMB	FSMG	4137 Alloy Steel	Black Oxide	S2100 Bearing Steel	55~60HRC	
FSUB	FSUG	302HQ Stainless Steel	-	440C Stainless Steel	55~60HRC	

Non-Reverse Type



Serrated Type



Clamping Screws												
Part Number	L		d2	B	ℓ	S2	Allowable Load (kN)	Mass (g)	Unit Price			
Type	M								FSMB	FSUB	FSMG	FSUG
FSMB FSUB FSMG FSUG	6	10 16 20 25	3.2	3	3.5	0.45	3.3	1.5~4				
	8	*10 12 20 25 30	4.5	4	5 (2.5)	0.5	3.9	2.5~9				
	10	*12 16 20 25 35	6	5	6 (3.5)	0.6	3.4	5~16				
	12	*16 20 30 40	7.2	6	8 (3)	0.75	4.8	10~28				
	16	*20 25 35 50	10.7	8	10 (3)	1	8.9	22.5~48				

⌀ dimension for *marked L dimension is in ().

Ordering Example

Part Number - L


FSMB6 - 16

Days to Ship

Configure Online

Price

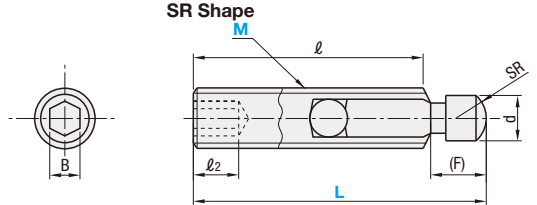
Configure Online



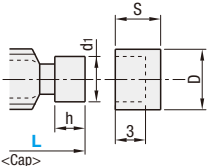
RoHS 10

Type	Tip Shape	Main Body		Ball		Head		Cap
		Material	Surface Treatment	Material	Hardness	Material	Hardness	
BALTAR	SR	1045 Carbon Steel	Black Oxide	440C Stainless Steel	58~63HRC	440C Stainless Steel	55~60HRC	-
SALTAR	SR	304 Stainless Steel	-	440C Stainless Steel	58~63HRC	440C Stainless Steel	55~60HRC	-
BALTAN	Flat	304 Stainless Steel	-	440C Stainless Steel	58~63HRC	440C Stainless Steel	55~60HRC	Polycetal (White)

SR Shape



Flat Shape



High Locked Screws																
Part Number	L		B	d	SR	d1	(F)	h	ℓ	ℓ2	Cap (1pc.)		Unit Price			
Type	M										D	S	BALTAR	SALTAR	BALTAN	
BALTAR SALTAR BALTAN	6	20	3	4	4	4	4	-	12.8	2.5	-	-	-	-	-	
		30							22.8	3.5	4.7	6	-	-	-	
		50							42.8	3.5	4.7	6	-	-	-	
	8	25	4	5.5	5.5	-	5.5	5	-	16.5	3.5	-	-	-	-	-
		40								31.5	5	6.5	8	-	-	-
		60								51.5	5	6.5	8	-	-	-
10	30	5	7	7	-	7	6	-	20.4	4.5	-	-	-	-	-	
	50								40.4	6	8	10	-	-	-	
	70								60.4	6	8	10	-	-	-	

⌀ dimension for *marked L dimension is in ().

Ordering Example

Part Number - L

BALTAR6 - 30

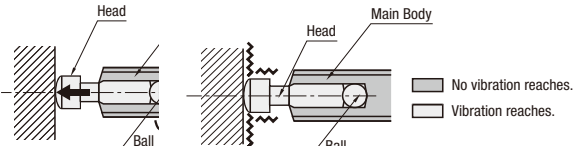
Days to Ship

Configure Online

Price

Configure Online

EX Example



Feature: Although the screw rotates, the screw head contacting the workpiece does not rotate, thus the head will not damage the workpiece.

Feature: Screws are less likely to loosen due to intervention of a ball absorbing the workpiece vibration.