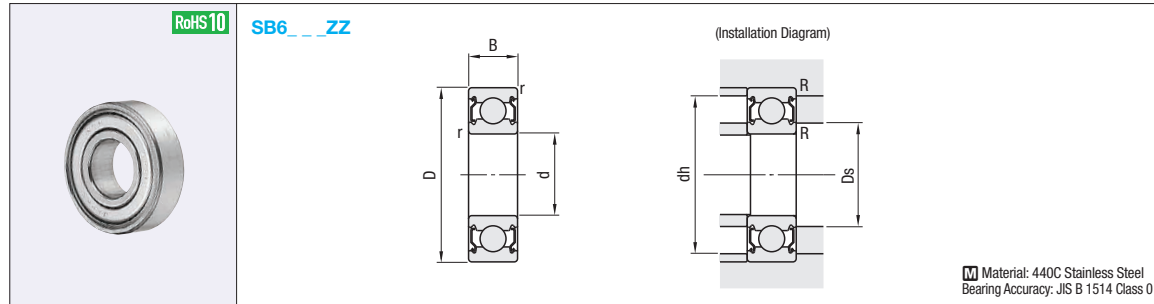


Stainless Steel Deep Groove Ball Bearings

Double Shielded



Part Number	d	D	B	r (min)	Basic Load Rating		Allowable Rotational Speed rpm (Reference)	Relative Dimensions				Mass (g) (Reference)	Unit Price						
					Cr (Dynamic) kN	Cor (Static) kN		Ds		dh	R								
SB6700ZZ	10	15	4	0.2	0.68	0.34	15000	10.4	11.21	14.2	0.2	2							
SB6800ZZ		19	5	0.3	1.46	0.67	34000	12	12.5	17	0.3	5							
SB6900ZZ		22	6		2.29	1.02	32000		13	20		9							
SB6000ZZ		26	8	3.87	1.58	30000	14	13.5	24	0.6	19								
SB6200ZZ		30	9	4.35	1.91	24000		16	26		32								
SB6300ZZ		35	11	6.87	2.75	21000		16.5	31		52								
SB6701ZZ	12	18	4	0.2	0.73	0.42	13000	12.4	13.86	16.7	0.2	3							
SB6801ZZ		21	5	0.3	1.63	0.83	32000	14	14.5	19	0.3	6							
SB6901ZZ		24	6		2.45	1.18	30000		15	22		11							
SB6001ZZ		28	8	4.35	1.91	27000	16	16	26	1.0	21								
SB6201ZZ		32	10	5.78	2.44	22000		17	28		37								
SB6301ZZ		37	12	8.24	3.36	19000		18	32		60								
SB6702ZZ	15	21	4	0.2	0.74	0.46	11000	15.4	16.86	19.7	0.2	4							
SB6802ZZ		24	5	0.3	1.76	1.00	27000	17	17.5	22	0.3	7							
SB6902ZZ		28	7		3.67	1.81	26000		19	26		16							
SB6002ZZ		32	9	4.76	2.27	23000	19	19	30	0.6	30								
SB6202ZZ		35	11	6.50	2.96	19000		20	31		45								
SB6302ZZ		42	13	9.71	4.37	17000		22	37		83								
SB6703ZZ	17	23	4	0.2	0.85	0.52	9500	17.4	18.86	21.1	0.2	4							
SB6803ZZ		26	5	0.3	1.90	1.16	25000	19	19.5	24	0.3	8							
SB6903ZZ		30	7		3.90	2.05	23000		20	28		18							
SB6003ZZ		35	10	5.09	2.63	20000	22	21	33	1.0	39								
SB6203ZZ		40	12	8.13	3.85	17000		23	36		66								
SB6303ZZ		47	14	11.5	5.33	15000		25	42		113								
SB6704ZZ	20	27	4	0.2	1.12	0.57	8500	20.4	22.36	25.5	0.2	6							
SB6804ZZ		32	7	0.3	3.41	1.97	20000	22	22.5	30	0.3	19							
SB6904ZZ		37	9		5.42	2.95	19000		24	35		36							
SB6004ZZ		42	12	7.99	4.00	17000	25	26	38	1.0	69								
SB6204ZZ		47	14	10.88	5.28	14000		28	42		106								
SB6304ZZ		52	15	13.49	6.31	13000		26.5	28		145								
SB6805ZZ	25	37	7	0.3	3.66	2.35	18000	27	29	40	0.3	22							
SB6905ZZ		42	9	5.60	3.63	16000	35					40		42					
SB6005ZZ		47	12	8.59	4.68	15000	39					43		80					
SB6205ZZ		52	15	11.90	6.32	12000	42					47		128					
SB6305ZZ		62	17	17.49	9.06	11000	31.5					36		235					
SB6806ZZ		30	42	7	0.3	3.86	2.72					15000		32	33	40	0.3	26	
SB6906ZZ	47		9	6.15	4.01	14000	34	45	48										
SB6006ZZ	55		13	11.20	6.64	12000	37	50	116										
SB6206ZZ	62		16	16.60	9.04	10000	35	39	199										
SB6306ZZ	72		19	22.63	12.08	9200	36.5	42.5	345										
SB6807ZZ	35		47	7	0.3	4.02	3.06	13000	37	38	45	0.3	29						
SB6907ZZ		55	10	9.27	6.25	12000	39	40					74						
SB6007ZZ		62	14	13.56	8.25	11000	40	42					155						
SB6207ZZ		72	17	21.81	12.36	9000	41.5	45					288						
SB6808ZZ		40	52	7	0.3	4.18	3.34	12000					42	43	50	0.3	33		
SB6908ZZ			62	12	11.63	7.97	11000	44									45		
SB6008ZZ	68		15	14.25	9.22	9500	45	47	190										
SB6208ZZ	80		18	24.73	14.33	8200	46.5	51	366										
SB6809ZZ	45		58	7	0.3	5.20	4.30	11000	47	47.5	56	0.3					38		
SB6909ZZ			68	12	11.98	8.66	9500	49									50		
SB6009ZZ		75	16	15.15	9.6	8800	50	53.5					241						
SB6209ZZ		85	19	27.79	16.3	7500	51.5	55.5					420						
SB6810ZZ		50	65	7	0.3	5.61	4.80	9500					52	52.5	63	0.3	50		
SB6910ZZ			72	12	12.35	9.35	9000	54									55		
SB6010ZZ	80		16	18.50	14.10	8300	55.0	57.5	261										
SB6210ZZ	90		20	29.80	19.70	7000	56.5	60.0	454										

kgf=Nx0.101972

Ordering Example Part Number SB6303ZZ

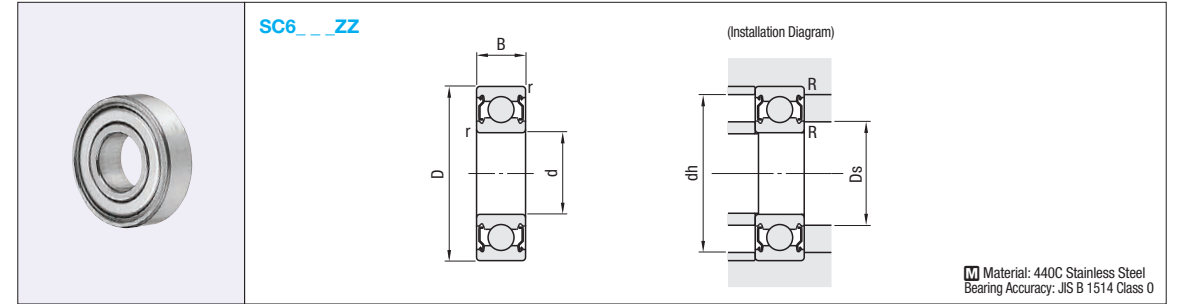
Price Configure Online

Days to Ship Configure Online

Stainless Steel Deep Groove Ball Bearings (Economy)

Double Shielded

Feature: Economical Stainless Steel Deep Groove Ball Bearings made by overseas manufacturers.



Part Number	d	D	B	r (min)	Basic Load Rating		Allowable Rotational Speed rpm (Reference)	Relative Dimensions				Mass (g) (Reference)	Unit Price					
					Cr (Dynamic) kN	Cor (Static) kN		Ds		dh	R							
SC6700ZZ	10	15	4	0.2	0.68	0.34	15000	10.4	11.21	14.2	0.2	2						
SC6800ZZ		19	5	0.3	1.46	0.67	34000	12	12.5	17	0.3	5						
SC6900ZZ		22	6		2.29	1.02	32000		13	20		9						
SC6000ZZ		26	8	3.87	1.58	30000	14	13.5	24	0.6	19							
SC6200ZZ		30	9	4.35	1.91	24000		16	26		32							
SC6300ZZ		35	11	6.87	2.75	21000		16.5	31		52							
SC6701ZZ	12	18	4	0.2	0.73	0.42	13000	12.4	13.86	16.7	0.2	3						
SC6801ZZ		21	5	0.3	1.63	0.83	32000	14	14.5	19	0.3	6						
SC6901ZZ		24	6		2.45	1.18	30000		15	22		11						
SC6201ZZ		32	10	5.78	2.44	22000	16	17	28	0.6	37							
SC6902ZZ		28	7	3.67	1.81	26000		17	26		16							
SC6002ZZ		32	9	4.76	2.27	23000		19	30		30							
SC6202ZZ	15	35	11	0.6	6.5	2.96	19000	19	20	31	0.6	45						
SC6903ZZ		30	7	3.9	2.05	23000	21					28		18				
SC6003ZZ		35	10	5.09	2.63	20000	22					21		33	0.3	39		
SC6904ZZ		37	9	5.42	2.95	19000						24		35		36		
SC6004ZZ		42	12	7.99	4	17000						25		38		69		
SC6204ZZ		20	47	14	1	10.88	5.28					14000		27	29	40	0.3	42
SC6905ZZ	42		9	5.6	3.63	16000	29	30.5	43	0.6	80							
SC6005ZZ	47		12	8.59	4.68	15000					32	47	128					
SC6205ZZ	52		15	11.9	6.32	12000					30	32	235					

kgf=Nx0.101972

Ordering Example Part Number SC6202ZZ

Price Configure Online

Days to Ship Configure Online

<Why Economy Type is recommended>

Economy Type is also in high quality.

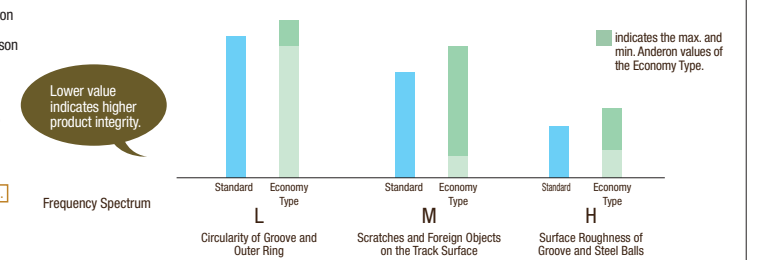
Causes for bearing problems can be detected by performing Anderson Inspection. Economy Type shows equivalent actual Anderson values in comparison with our Standard products.

What is Anderson Inspection?

This inspection measures the bearing's rotational vibrations in (L, H, M) frequency spectra to determine the bearing's performance. The inspection is used on the finished bearings, serving the purpose of removing bearing initial defects.

MISUMI's Economy Type Bearings are all subject to Anderson Inspection.

Anderson Value Comparison of Current MISUMI Standard Products and Current Economy Type



For details of Economy Type, see P.873.