




Please, refer to website for current Pricing and Lead Time

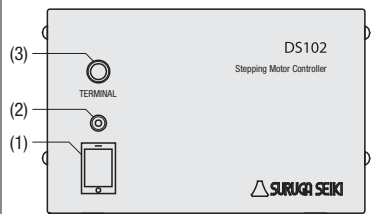
Controllers for Automatic Stages/Controller Software/Cables

Controllers to easily control motorized stages are newly available.

Controller for Automatic Stages RoHS

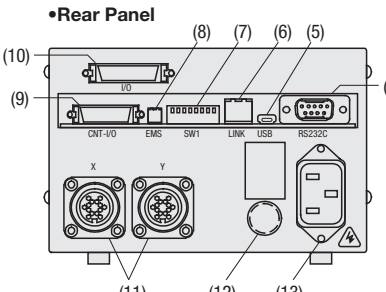


MSCTL102
•Front Panel



(1) Power Switch
(2) POWER LED
(3) TERMINAL (Connector for Handset Terminal HDT100)

•Rear Panel



(4) RS232C (Specification: Dsub 9P Male) (9) I/O connector for controller
(5) USB connector (Mini B type) (10) General I/O connector
(6) LINK connector (11) Stage connector
(7) DIP Switch (12) Fuse Holders
(8) EMS connector (13) AC Inlet

| Basic Specifications | |
|-----------------------|------------------------------|
| External Dimension | 140(W)x300(D)x90(H) mm |
| Operating Environment | 0~40°C, 20~80% RH (No dew) |
| Storage Environment | -20~60°C, 20~80% RH (No dew) |
| Input Power Supply | AC100~240V±10%, 50/60Hz |

| Controller Performance Specification | |
|--------------------------------------|---|
| Number of Control Axes | 2 |
| Coordinate Setting Range | ±99,999,999pls |
| Driving Speed Setting Range | 1~999,999pps |
| Rate of Rise Setting Range | 1~9,999pps |
| Acceleration/Deceleration Time Range | 1~9,999ms |
| Mechanical Limit | 2 of each axis CW·CCW direction (Logic conversion convention is possible) |
| Proximity Origin Detection | 1 of each axis (Logic conversion convention is possible) |
| Origin Detection | 1 of each axis, 12 method (logic convention possible) |
| External Interface | RS232C: 4800~38400bps USB2.0: Applicable to FULL/Low Speed only DIO: 9 x 24V opto-isolated inputs & 12 x open collector outputs |
| Max. Power Consumption | 60W (When AC100V) |
| Tare | 2.3kg |

| Driver Performance Specification | |
|----------------------------------|-----------------------------|
| Driving Method | Standard (Full/Half Duplex) |
| Rated Current | 0.75A/Phase |


| Functions | |
|------------------|--|
| Return to Origin | 1 point/axis (configurable freely within effective range) |
| Link | External control up to 3 units, 6 axis with MSLINK (link cable) is possible |
| Programming | 8 programs (100 steps/program; Starts and stops by I/O controller) |
| Learning | 64 points (positioning is possible by I/O controller) |
| Interpolation | 2-axis linear interpolation (linear interpolation between linked equipments is not possible) |

| Part Number | Unit Price | Qty. 1~9 | Order Example | Part Number | Days to Ship |
|-------------|------------|----------|---------------|-------------|--------------|
| MSCTL102 | | | MSCTL102 | | |

For larger quantity orders "Days to Ship" may differ from published catalog term. **P.91**

| Alterations | Part Number | (MS) | Alteration Code | Driving Method Alteration |
|-------------|-------------|--|-----------------|---------------------------|
| | MSCTL102 | - MS | | MS |
| Details | | Switches driving method for controller to Microstep (no changes to appearance and dimensions). | | |
| Price Adder | | | | |

Controller Software RoHS




MSSOFT

•Software to configure and control the controllers connected to PCs via USB or MSRS232C on Microsoft® Windows.
Applicable OS: Microsoft® Windows 2000/XP

[Main Functions]

- Manual driving (continuous driving, stepwise driving, axis driving, return to origin)
- Learning function
- Edit of incorporated program, upload and download

Cable for Controllers RoHS



MSLINK

•For applications where multiple controllers (MSCTL102) are linked and controlled on 4 or 6 axes.
MSLINK2-0.5: For 2 connectors (Cable length: 0.5m)
MSLINK3-0.5: For 3 connectors (Cable length: 0.5m)

| Part Number | Unit Price | Qty. 1~9 | Order Example | Part Number | Days to Ship |
|-------------|------------|----------|---------------|-------------|--------------|
| MSSOFT | | | MSSOFT | | |
| MSLINK | | | MSLINK2-0.5 | | |


For larger quantity orders "Days to Ship" may differ from published catalog term. **P.91**



Handset Terminal/Cables

Feature: Enables "plug & play" of motorized stages by connecting to controllers.

Handset Terminal RoHS

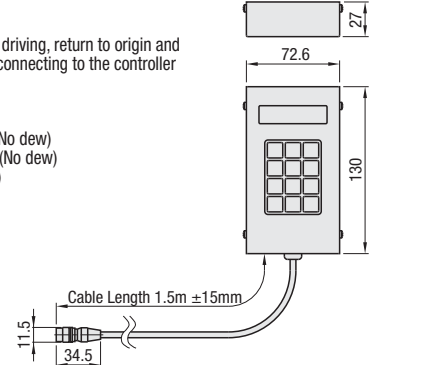


HDT100

Operations such as continuous driving, stepwise driving, return to origin and program execution can be remote controlled by connecting to the controller (MSCTL102).

Basic Specifications

- Operating Environment: 0~40°C, 20~80% RH (No dew)
- Storage Environment: -20~60°C, 20~80% RH (No dew)
- Power Supply: DC24V (Supplied from controller)
- Weight 0.3kg




| Part Number | Unit Price | Qty. 1~9 |
|-------------|------------|----------|
| HDT | | 100 |

| Order Example | Part Number | Days to Ship |
|---------------|-------------|--------------|
| | HDT100 | |

For larger quantity orders "Days to Ship" may differ from published catalog term. **P.91**

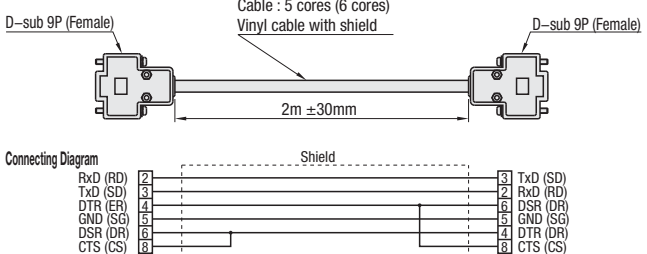
Feature: Can be used as cable to make connection with external control devices.

RS232 Cables RoHS



MSRS232C

Cable : 5 cores (6 cores)
Vinyl cable with shield



Basic Specifications

- Interface: RS232C
- Connector to PC: D-sub 9P
- Cable Length: 2m


| Part Number | Unit Price | Qty. 1~9 |
|-------------|------------|----------|
| MSRS232C | | |

| Order Example | Part Number | Days to Ship |
|---------------|-------------|--------------|
| | MSRS232C | |

For larger quantity orders "Days to Ship" may differ from published catalog term. **P.91**

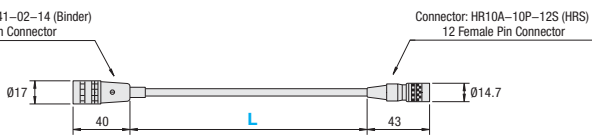
Feature: Cable to adjust distances between motorized stages and controllers. Length can be selectable according to the condition.

Cable for Automatic Stages RoHS



MSCB

Connector: 09-0341-02-14 (Binder) 14 Male Pin Connector
Connector: HR10A-10P-12S (HRS) 12 Female Pin Connector



| Controller Side Terminal Function | Color | Stage Side Terminal Function |
|---|--------|--------------------------------|
| Motor lead (Blue) | Blue | 1 Motor lead (Blue) |
| Motor lead (Red) | Red | 2 Motor lead (Red) |
| Motor lead (Orange) | Orange | 3 Motor lead (Orange) |
| Motor lead (Green) | Green | 4 Motor lead (Green) |
| Motor lead (Black) | Black | 5 Motor lead (Black) |
| CWLS Input | Brown | 6 CWLS Output |
| CCWLS Input | Yellow | 7 CCWLS Output |
| NORG Input | Purple | 8 Sensor Power Supply (DC5V-) |
| ORG Input | Gray | 9 Sensor Power Supply (DC5V+) |
| Sensor Power Supply (DC5V+) | White | 10 ORG Output |
| Sensor Power Supply (DC5V-) | | 11 Sensor Power Supply (DC5V-) |
| Electromagnetic Brake Power Supply (DC24V+) | | 12 Frame Ground |
| Electromagnetic Brake Power Supply (DC24V-) | | |
| Frame Ground | | |

*When XMSG·XYMSG·ZMSG is connected, ORG2 sensor does not function. Dotted line represents shields. Connect shields to U pins and 12 pins. **Insulator Sheath : PVC**

| Part Number | Unit Price | Qty. 1~9 |
|-------------|------------|----------|
| MSCB | | |

| Order Example | Part Number | Days to Ship |
|---------------|-------------|--------------|
| | MSCB4 | |

For larger quantity orders "Days to Ship" may differ from published catalog term. **P.91**