

Resin Washers



Our Resin Washers are available in polyacetal and phenolic. There are two different Resin Washers available: with pre-selected outside diameter and with configurable O. D. selection, where you specify all of the dimensions from listed ranges.

Polyacetal

Phenolic Cardboard

Phenolic Clothboard

Material	Standard	Configurable
Polyacetal	U-WSJJ	U-FWSJJ
Phenolic Cardboard	U-WSJB	U-FWSJB
Phenolic Clothboard	U-WSJN	U-FWSJN

Material Characteristics P.630

$V \begin{matrix} +0.015 \\ -0.005 \end{matrix}$ $D \begin{matrix} +0.000 \\ -0.010 \end{matrix}$ $T \pm 0.005$ Surface Roughness: Unless otherwise specified

Standard

Type	Part No.			D Selection (Callout)												T Selection						
	Callout	Actual	Screw Size	1/4	5/16	3/8	7/16	1/2	5/8	3/4	7/8	1"	1-1/4	1-1/2	1-3/4	2"	5/64	3/32	1/8	3/16	3/8	
U-WSJJ U-WSJB U-WSJN	0.11	0.112	#4	0.25	0.31	0.38											0.078					
	0.14	0.138	#6		0.31	0.38	0.44										0.078					
	0.16	0.164	#8			0.38	0.44	0.50									0.078	0.125				
	0.19	0.190	#10				0.44	0.50	0.63								0.078	0.094	0.125			
	0.25	0.250	1/4					0.50	0.63	0.75							0.078	0.125	0.188			
	0.31	0.313	5/16						0.63	0.75	0.88							0.094	0.125	0.188		
	0.38	0.375	3/8							0.75	0.88	1.00						0.094	0.125	0.188		
	0.38	0.375	3/8									1.25						0.125	0.188			
	0.50	0.500	1/2							0.88	1.00	1.25	1.50					0.125	0.188			
	0.63	0.625	5/8								1.25	1.50	1.75					0.125	0.188	0.375		
0.75	0.750	3/4									1.50	1.75	2.00				0.125	0.188	0.375			
1.00	1.000	1"										1.75	2.00				0.125	0.188	0.375			

The part number consists only of the fields with blue characters. Please refer to the table below for technical information.

Order Example

Part No. — **D** — **T**

Type **V**

U-WSJJ 0.19 — D 0.50 — T 0.125

Technical Information

D		
Callout	Nominal	Actual Diameter
0.25	1/4	0.250
0.31	5/16	0.313
0.38	3/8	0.375
0.44	7/16	0.438
0.50	1/2	0.500
0.63	5/8	0.625
0.75	3/4	0.750
0.88	7/8	0.875
1.00	1"	1.000
1.25	1-1/4	1.250
1.50	1-1/2	1.500
1.75	1-3/4	1.750
2.00	2"	2.000

Days to Ship

6 Days

Non-Returnable P.30

Express

4 Days (Specify Express A) \$ 2.00/piece P.30

A flat charge of \$5.40 for 3 or more identical pieces.

Quantity Discount Rate

Quantity Rate	1-19	20-49	50-99	100-
Rate	—	5%	10%	15%

For larger quantity orders "Days to Ship" may differ from published catalog term. P.29

\$ Unit Price (Qty. 1-19)	D												
	0.25	0.31	0.38	0.44	0.50	0.63	0.75	0.88	1.00	1.25	1.50	1.75	2.00
U-WSJJ	1.20	1.20	1.20	1.50	1.50	1.70	1.80	2.10	2.10	2.50	3.00	3.50	3.50
U-WSJB	1.00	1.00	1.00	1.30	1.30	1.50	1.70	2.00	2.00	2.30	2.60	3.10	3.10
U-WSJN	2.00	2.00	2.00	2.50	2.50	2.60	3.30	3.50	3.50	4.10	5.00	6.60	6.60

Configurable

Part No.	V	D Choose in 0.01" Increments	T Choose in 0.001" Increments	\$ Unit Price (Qty. 1-19)		
				U-FWSJJ	U-FWSJB	U-FWSJN
U-FWSJJ U-FWSJB U-FWSJN	Selection 0 (No Hole) 0.078 0.094 0.109 Range 0.125-1.875 Choose in 0.001" Increments	0.81 ~ 1.19	0.094 ~ 0.250	4.40	3.80	8.50
			0.251 ~ 0.500	6.60	4.20	9.50
		1.20 ~ 1.56	0.094 ~ 0.250	5.40	5.80	12.40
			0.251 ~ 0.500	7.40	7.90	14.50
		1.57 ~ 2.00	0.094 ~ 0.250	6.30	6.70	13.90
			0.251 ~ 0.500	8.40	9.00	17.90

Selection Criteria: D ≥ V + 0.13
 The part number consists only of the fields with blue characters.

Order Example

Part No. — **V** — **D** — **T**

U-FWSJN — V 1.180 — D 1.31 — T 0.125

Days to Ship

6 Days

Non-Returnable P.30

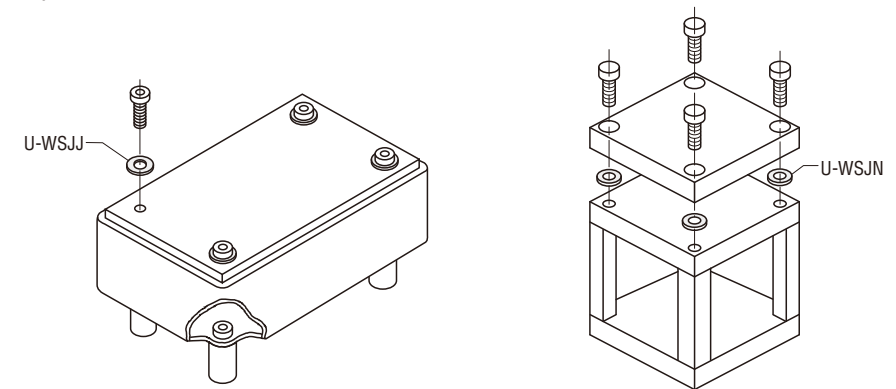
Price

Quantity Discount Rate

Quantity Rate	1-19	20-49	50-99	100-
Rate	—	5%	10%	15%

For larger quantity orders "Days to Ship" may differ from published catalog term. P.29

Example



Contents

- How to Use the Catalog
- Linear Motion
- Linear Shafts
- Bushings
- Shaft Supports
- Shaft Collars
- Linear Guides
- Rotary Motion
- Rotary Shafts
- Bearings w/ Housings
- Pulleys
- Belts
- Couplings
- Locating Components
- Locating Pins & Bushings
- Locating Components
- General Components
- Pivot Pins
- Floating Joints
- Posts
- Device Stands
- Strut Clamps
- Angle Plates
- Gussets
- Welded Stands
- Washers
- Collars
- Manifolds
- Urethanes
- Rubbers
- Plates
- Misc.
- Technical Data
- Business Information
- Index