
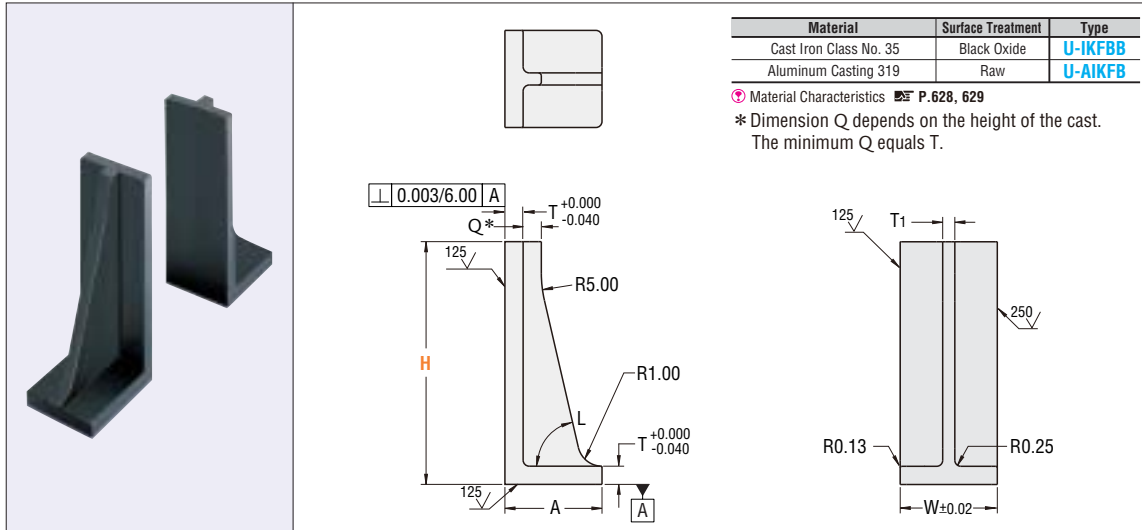



# Precision Angle Plates –Without Holes–

 Precision Angle Plates without Holes are available in cast aluminum and cast iron. The straightness and perpendicularity of the two mounting planes, both at 0.003" per every 6 inches, guarantees very good precision. If your application requires mounting holes you can use this product and drill it based on your specifications.



Material	Surface Treatment	Type
Cast Iron Class No. 35	Black Oxide	U-IKFBB
Aluminum Casting 319	Raw	U-AIKFB

Material Characteristics  P.628, 629  
 \* Dimension Q depends on the height of the cast. The minimum Q equals T.

Type	Part No.		A	W	T	T <sub>1</sub>	L	Q*	\$ Unit Price (Qty. 1-19)	
	H								U-IKFBB	U-AIKFB
	Angle Plate Height Callout	Actual								
U-IKFBB U-AIKFB	3	3.00	3.00	3.00	0.50	0.50	72°	0.96	24.20	31.10
	4	4.00	3.00	3.00	0.50	0.50	72°	0.75	25.40	32.70
	5	5.00	3.00	3.00	0.50	0.50	72°	0.75	34.00	38.70
	6	6.00	4.00	4.00	0.75	0.50	77°	1.24	36.90	40.80
	8	8.00	4.00	4.00	0.75	0.50	77°	0.78	50.30	50.80
	10	10.00	4.00	4.00	0.75	0.50	77°	0.75	64.50	62.60
	12	12.00	6.00	4.00	1.00	0.75	77°	1.67	86.80	80.10
	14	14.00	6.00	4.00	1.00	0.75	77°	1.20	94.90	93.60
	16	16.00	6.00	4.00	1.00	0.75	77°	0.75	114.50	113.50
	18	18.00	6.00	4.00	1.00	0.75	77°	0.75	135.40	132.00

 Order Example  The part number consists only of the fields with blue characters.

Part No.

Type  H

U-IKFBB 12


 Days to Ship **1** Day

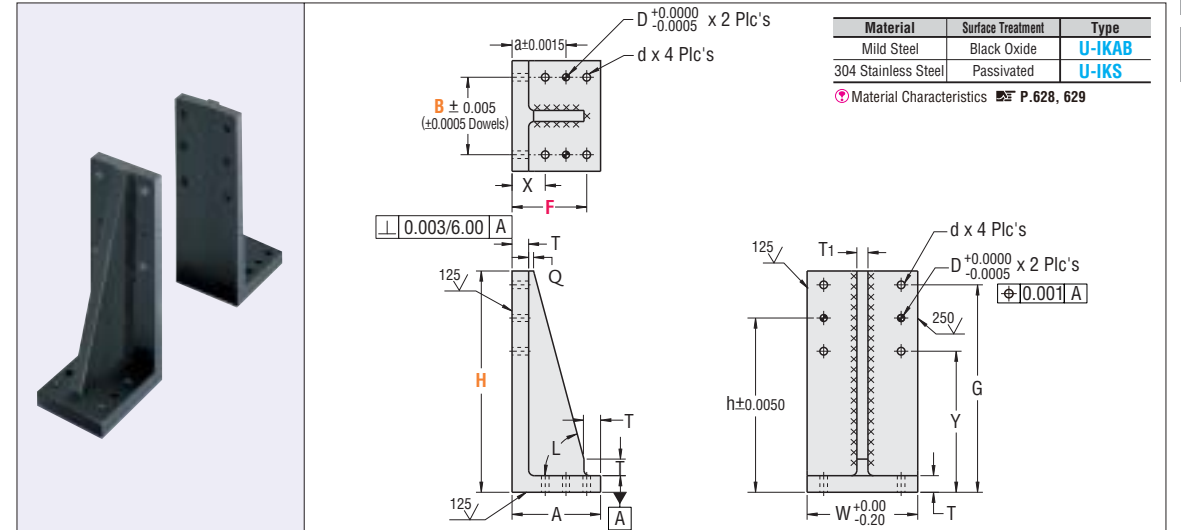
 Price

Quantity Discount Rate			
Quantity	1-19	20-39	40-
Rate	—	2%	3%

 For larger quantity orders "Days to Ship" may differ from published catalog term.  P.29

# Welded Angle Plates –With Pre-drilled Holes–

 Welded Angle Plates with Pre-drilled Holes are available in Mild steel and 304 stainless steel. The straightness and perpendicularity of the two mounting planes, both at 0.003" per every 6 inches, guarantees very good precision. If you are looking for a particular hole progression due to a nature of your design, see the next page for Plates with Configurable Hole Locations or Plates Without Holes.



Material	Surface Treatment	Type
Mild Steel	Black Oxide	U-IKAB
304 Stainless Steel	Passivated	U-IKS

Material Characteristics  P.628, 629

Type	Part No.		B	X	F	Y	G	\$ Unit Price (Qty. 1-19)	
	H							U-IKAB	U-IKS
	Angle Plate Height Callout	Actual							
U-IKAB U-IKS	3	3.00	3.00	1.25	2.50	1.25	2.50	74.50	116.50
	4	4.00	3.00	1.25	2.50	2.00	3.50	76.70	120.20
	5	5.00	3.00	1.25	2.50	3.00	4.50	79.20	125.00
	6	6.00	3.50	1.50	3.25	2.38	5.38	97.00	169.60
	8	8.00	3.50	1.50	3.25	4.38	7.38	110.60	194.30
	10	10.00	3.50	1.50	3.25	6.38	9.38	122.20	215.40
	12	12.00	4.50	2.00	5.25	7.25	11.25	174.00	347.20
	14	14.00	4.50	2.00	5.25	9.25	13.25	189.30	376.20
	16	16.00	4.50	2.00	5.25	11.25	15.25	207.70	411.80
	18	18.00	4.50	2.00	5.25	13.25	17.25	236.50	458.50

 Order Example  The part number consists only of the fields with blue characters.  Please refer to the table below for technical information.

Part No.

Type  H

U-IKS 12

## Technical Information

H	a	h	D	d		A	W	T	T <sub>1</sub>	L	Q
				Dia.	Compatible Bolt						
3	1.8750	1.8750	0.2500	0.281	1/4	3.00	4.00	0.50	0.50	65°	1.07
4	1.8750	2.7500	0.2500	0.281	1/4	3.00	4.00	0.50	0.50	65°	0.60
5	1.8750	3.7500	0.2500	0.281	1/4	3.00	4.00	0.50	0.50	65°	0.14
6	2.3750	3.8750	0.3125	0.344	5/16	4.00	5.00	0.75	0.50	75°	1.29
8	2.3750	5.8750	0.3125	0.344	5/16	4.00	5.00	0.75	0.50	75°	0.76
10	2.3750	7.8750	0.3125	0.344	5/16	4.00	5.00	0.75	0.50	75°	0.22
12	3.6250	9.2500	0.3750	0.406	3/8	6.00	6.00	1.00	0.75	77°	1.69
14	3.6250	11.2500	0.3750	0.406	3/8	6.00	6.00	1.00	0.75	77°	1.23
16	3.6250	13.2500	0.3750	0.406	3/8	6.00	6.00	1.00	0.75	77°	0.77
18	3.6250	15.2500	0.3750	0.406	3/8	6.00	6.00	1.00	0.75	77°	0.31

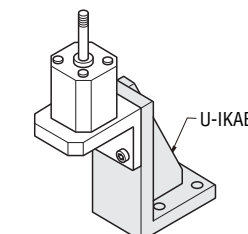
 Days to Ship **1** Day

 Example

 Price

Quantity Discount Rate			
Quantity	1-19	20-39	40-
Rate	—	2%	3%

 For larger quantity orders "Days to Ship" may differ from published catalog term.  P.29



Contents

How to Use the Catalog

Linear Motion

Linear Shafts

Bushings

Shaft Supports  
Shaft Collars

Linear Guides

Rotary Motion

Rotary Shafts

Bearings w/  
Housings

Pulleys  
Belts  
Couplings

Locating Components

Locating Pins & Bushings

Locating Components

General Components

Pivot Pins  
Floating Joints

Posts  
Device Stands  
Strut Clamps

Angle Plates  
Gussets  
Welded Stands

Washers  
Collars

Manifolds

Urethanes  
Rubbers

Plates

Misc.

Technical Data

Business Information

Index