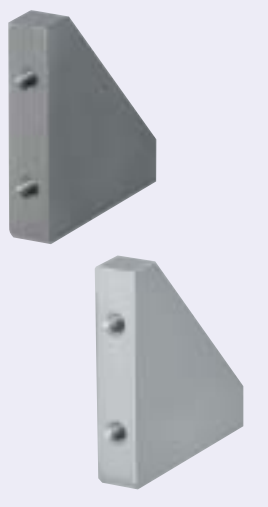


Gussets –Thread Hole Mounting–

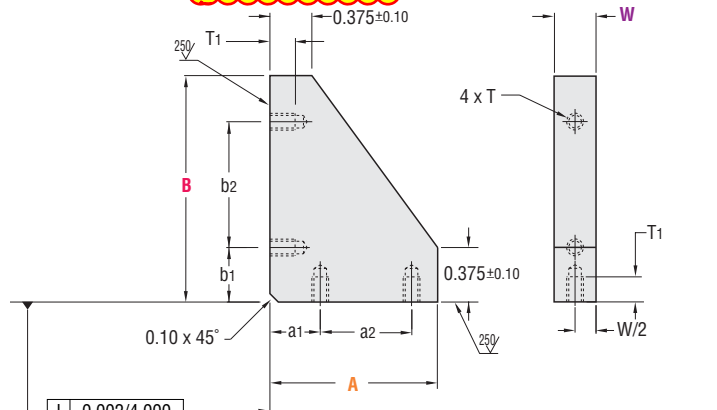


Gussets are used to add structural strength whenever mounting two plates at 90 deg (See application example). Available in low carbon 1018 steel and 6061-T6 aluminum. Choose between threaded and "L" shaped with clearance holes.



Material	Surface Treatment	Type
1018 Steel	Black Oxide	U-RBBB
	Electroless Nickel Plating	U-RBBM
6061-T6 Aluminum	Clear Anodizing	U-RBBW

Material Characteristics P.628, 629 A5052-H112



Surface Roughness: Unless otherwise specified ✓

General Tolerance		
From	To	Tolerance
0.000	5.000	±0.01
5.001	16.000	±0.02
16.001	60.000	±0.05

Thread or hole location tolerance: ±0.005' non-cumulative.

Part No.	A	B	W	T (Thread)		T1	a1	a2	b1	b2	\$ Unit Price (Qty. 1~4)		
				Size	Major Dia.						U-RBBB	U-RBBM	U-RBBW
U-RBBB U-RBBM U-RBBW	1.25	1.25	0.250	#6-32	0.138	0.21	0.500	0.500	0.594	0.406	17.00	17.40	17.30
	1.25	1.25	0.375	#10-32	0.190	0.29	0.500	0.500	0.594	0.406	18.00	18.60	18.00
	1.25	1.50	0.250	#6-32	0.138	0.21	0.500	0.500	0.625	0.500	18.00	18.60	18.00
	1.25	1.50	0.375	#10-32	0.190	0.29	0.500	0.500	0.625	0.500	18.60	19.40	18.50
	1.25	2.00	0.375	#10-32	0.190	0.29	0.500	0.500	0.750	0.875	18.50	19.30	19.10
	1.25	2.00	0.500	#10-32	0.190	0.29	0.500	0.500	0.750	0.875	19.20	20.30	19.20
	1.25	2.50	0.375	#10-32	0.190	0.29	0.500	0.500	0.875	1.000	19.20	20.00	19.20
	1.25	2.50	0.500	#10-32	0.190	0.29	0.500	0.500	0.875	1.000	20.00	21.20	19.70
	1.25	3.00	0.375	#10-32	0.190	0.29	0.500	0.500	0.875	1.500	20.50	21.60	21.00
	1.25	3.00	0.500	#10-32	0.190	0.29	0.500	0.500	0.875	1.500	21.50	23.00	21.50
	1.50	1.50	0.375	#10-32	0.190	0.29	0.625	0.500	0.625	0.500	20.20	20.90	18.60
	1.50	1.50	0.500	1/4-20	0.250	0.38	0.625	0.500	0.625	0.500	20.90	22.00	19.20
	1.50	2.00	0.375	#10-32	0.190	0.29	0.500	0.625	0.750	0.750	20.80	21.70	19.10
	1.50	2.00	0.500	1/4-20	0.250	0.38	0.500	0.625	0.750	0.750	21.60	22.90	19.20
	1.50	2.50	0.375	#10-32	0.190	0.29	0.500	0.625	0.750	1.125	21.20	22.40	19.10
	1.50	2.50	0.500	1/4-20	0.250	0.38	0.500	0.625	0.750	1.125	22.30	24.00	20.90
	1.50	3.00	0.375	#10-32	0.190	0.29	0.500	0.625	0.750	1.500	22.70	24.40	21.50
	1.50	3.00	0.500	1/4-20	0.250	0.38	0.500	0.625	0.750	1.500	24.10	26.30	22.10
	2.00	2.00	0.375	#10-32	0.190	0.29	0.625	0.875	0.750	0.750	20.80	22.00	20.40
	2.00	2.00	0.500	1/4-20	0.250	0.38	0.625	0.875	0.750	0.750	21.50	22.90	20.40
2.00	2.50	0.375	#10-32	0.190	0.29	0.625	0.875	0.750	1.125	21.50	22.90	20.40	
2.00	2.50	0.500	1/4-20	0.250	0.38	0.625	0.875	0.750	1.125	22.60	24.50	22.20	
2.00	3.00	0.375	#10-32	0.190	0.29	0.625	0.875	0.750	1.500	22.90	24.70	21.00	
2.00	3.00	0.500	1/4-20	0.250	0.38	0.625	0.875	0.750	1.500	24.60	27.00	22.10	

Order Example ⚠ The part number consists only of the fields with blue characters.

Part No. B - W

Type A

U-RBBB 1.50 - B 2.00 - W 0.500


Days to Ship 1 Day

Price ■ Quantity Discount Rate

Quantity Rate	1~4	5~9	10~19	20~
Rate	—	2%	3%	5%

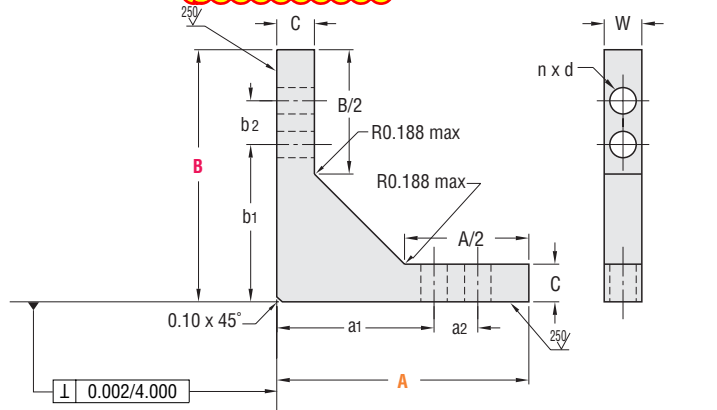
⚠ For larger quantity orders "Days to Ship" may differ from published catalog term. P.29

Gussets –Through Hole Mounting–



Material	Surface Treatment	Type
1018 Steel	Black Oxide	U-RBDB
	Electroless Nickel Plating	U-RBDM
6061-T6 Aluminum	Clear Anodizing	U-RBDW

Material Characteristics P.628, 629 A5052-H112



Surface Roughness: Unless otherwise specified ✓

General Tolerance		
From	To	Tolerance
0.000	5.000	±0.01
5.001	16.000	±0.02
16.001	60.000	±0.05

Thread or hole location tolerance: ±0.005' non-cumulative.

Part No.	A	B	W	n	d		a1	a2	b1	b2	C	\$ Unit Price (Qty. 1~4)		
					Actual Dia.	Compatible Bolts						U-RBDB	U-RBDM	U-RBDW
U-RBDB U-RBDM U-RBDW	1.25	1.25	0.375	2	0.206	#10	1.000	-	1.000	-	0.313	25.90	26.90	21.50
	1.25	2.00	0.375	3	0.206	#10	1.000	-	1.313	0.438	0.313	29.30	30.00	22.10
	1.25	3.00	0.375	3	0.206	#10	1.000	-	1.813	0.938	0.313	34.60	34.80	23.90
	2.00	2.00	0.375	4	0.206	#10	1.313	0.438	1.313	0.438	0.375	31.20	32.20	24.00
	2.00	3.00	0.375	4	0.206	#10	1.313	0.438	1.813	0.938	0.625	36.80	37.90	24.50
	3.00	3.00	0.500	4	0.281	1/4	1.875	0.813	1.875	0.813	0.625	44.00	46.20	29.40
	3.00	4.00	0.500	4	0.281	1/4	1.875	0.813	2.375	1.313	0.625	50.00	52.30	31.70

Order Example ⚠ The part number consists only of the fields with blue characters.

Part No. B

Type A

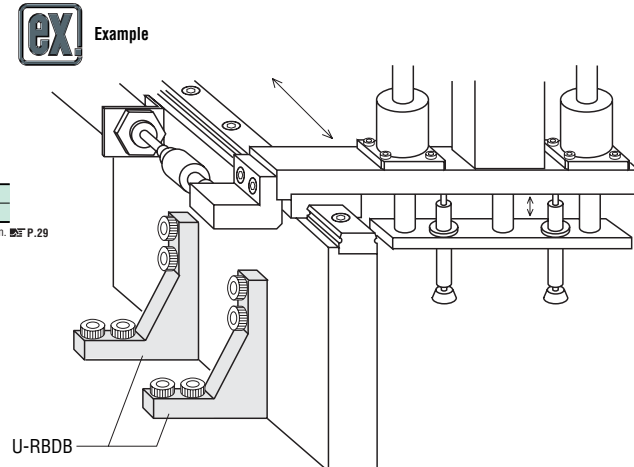
U-RBDB 1.25 - B 2.00

Days to Ship 1 Day

Price ■ Quantity Discount Rate

Quantity Rate	1~4	5~9	10~19	20~
Rate	—	2%	3%	5%

⚠ For larger quantity orders "Days to Ship" may differ from published catalog term. P.29



Contents

- How to Use the Catalog
- Linear Motion
- Linear Shafts
- Bushings
- Shaft Supports
- Shaft Collars
- Linear Guides
- Rotary Motion
- Rotary Shafts
- Bearings w/ Housings
- Pulleys Belts Couplings
- Locating Components
- Locating Pins & Bushings
- Locating Components
- General Components
- Pivot Pins Floating Joints
- Posts Device Stands Strut Clamps
- Angle Plates Gussets Welded Stands
- Washers Collars
- Manifolds
- Urethanes Rubbers
- Plates
- Misc.
- Technical Data
- Business Information
- Index