


Precision Pivot Pins

–Standard with Head and Cotter Pin Hole–

Our Precision Pivot Pins are offered in many popular configurations with either selectable or configurable length (with very fine 0.001" increments). All pins have very high precision O.D. tolerance for consistent fit and good functional reliability. Available in 1045 Steel soft/hard and 304 stainless steel. Head thickness modification is available for this product. Simply add the modification ordering code to the end of the part number.

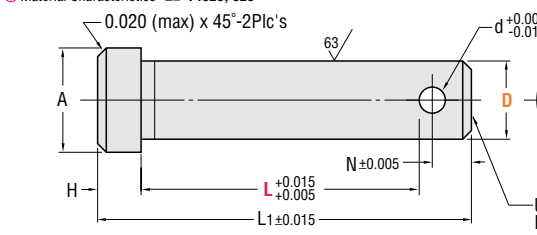
Price Revision

□ : New Price



Material	Hardness	Surface Treatment	Type
1045 Steel	-	Black Oxide	U-HCMG
	40-45HRC		U-HCMGH
304 Stainless Steel	-	-	U-SHCMG

Material Characteristics **P.628, 629**




General Tolerance Unless otherwise specified use the table below.

From	To	Tolerance
0.000	5.000	+0.01
5.001	16.000	+0.02
16.001	60.000	+0.05

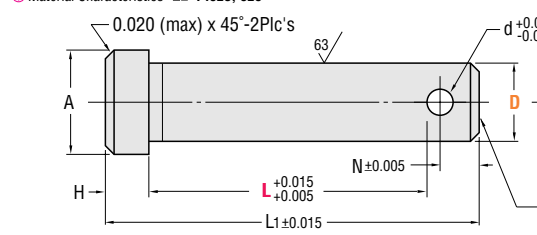
Thread or hole location tolerance: ±0.005" non-cumulative.

U-HCMG non-hardened pins are marked on one end to distinguish them from hardened pins. **Surface Roughness: Unless otherwise specified $\sqrt{100}$**



Material	Hardness	Surface Treatment	Type
1045 Steel	-	Black Oxide	U-HCLGN
	40-45HRC		U-HCLGHN
304 Stainless Steel	-	-	U-SHCLGN

Material Characteristics **P.628, 629**



General Tolerance Unless otherwise specified use the table below.

From	To	Tolerance
0.000	5.000	+0.01
5.001	16.000	+0.02
16.001	60.000	+0.05

Thread or hole location tolerance: ±0.005" non-cumulative.

U-HCLGN non-hardened pins are marked on one end to distinguish them from hardened pins. **Surface Roughness: Unless otherwise specified $\sqrt{100}$**

Standard L Dimension

Type	Part No. D			Selection (Callout) L								\$ Unit Price (Qty. 1~19)			
	Callout	Nominal	Tolerance	3/8	1/2	5/8	3/4	1"	1-1/4	1-1/2	1-3/4	2"	U-HCMG	U-HCMGH	U-SHCMG
U-HCMG U-HCMGH U-SHCMG	0.13	1/8	0.1249 0.1246	0.38	0.50	0.63	0.75	1.00					3.20	3.40	3.40
	0.19	3/16	0.1874 0.1871	0.38	0.50	0.63	0.75	1.00					3.50	3.70	4.00
	0.25	1/4	0.2498 0.2494			0.63	0.75	1.00	1.25	1.50			4.00	4.50	4.60
	0.38	3/8	0.3748 0.3744				0.75	1.00	1.25	1.50	1.75		4.70	5.30	5.40
	0.50	1/2	0.4998 0.4994					1.00	1.25	1.50	1.75	2.00	5.10	5.70	6.00

Configurable L Dimension

Type	Part No. D			Choose in 0.001" Increments L		\$ Unit Price		
	Callout	Nominal	Tolerance			U-HCLGN	U-HCLGHN	U-SHCLGN
U-HCLGN U-HCLGHN U-SHCLGN	0.13	1/8	0.1249 0.1246	0.500 ~ 2.000		7.60	9.90	10.60
	0.19	3/16	0.1874 0.1871	0.500 ~ 2.500		8.60	10.60	12.30
	0.25	1/4	0.2498 0.2494	0.750 ~ 4.000		9.00	11.10	13.20
	0.38	3/8	0.3748 0.3744	0.750 ~ 4.000		10.00	12.80	14.00
	0.50	1/2	0.4998 0.4994	1.000 ~ 5.500		10.80	15.30	17.60
	0.63	5/8	0.6248 0.6244	1.250 ~ 5.500		13.40	17.20	19.00
	0.75	3/4	0.7497 0.7492	1.250 ~ 5.500		14.60	18.60	20.50
	1.00	1"	0.9997 0.9992	1.500 ~ 5.500		17.70	21.80	23.90

Order Example The part number consists only of the fields with blue characters. Please refer to the table below for technical information.

Part No. — L

Type D

U-HCMG 0.50 — L 2.00

Order Example The part number consists only of the fields with blue characters. Please refer to the table below for technical information.

Part No. — L

Type D

U-HCLGN 0.50 — L 4.000

Technical Information

D		L1	N	d	H	A	Compatible Cotter Pins	L		
Callout	Nominal							Callout	Nominal	Dimension
0.13	1/8	L + 0.180	0.094	0.047	0.063	0.25	1/32	0.38	3/8	0.375
0.19	3/16	L + 0.219	0.125	0.062	0.063	0.31	3/64	0.50	1/2	0.500
0.25	1/4	L + 0.266	0.156	0.094	0.063	0.38	1/16, 5/64	0.63	5/8	0.625
0.38	3/8	L + 0.344	0.188	0.125	0.094	0.50	7/64	0.75	3/4	0.750
0.50	1/2	L + 0.453	0.250	0.156	0.125	0.63	1/8, 9/64	1.00	1"	1.000
								1.25	1-1/4	1.250
								1.50	1-1/2	1.500
								1.75	1-3/4	1.750
								2.00	2"	2.000

Technical Information

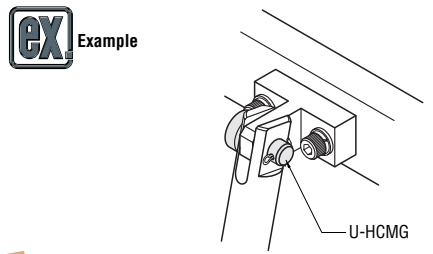
D		L1	N	d	H	A	Compatible Cotter Pins
Callout	Nominal						
0.13	1/8	L + 0.180	0.094	0.047	0.063	0.25	1/32
0.19	3/16	L + 0.219	0.125	0.062	0.063	0.31	3/64
0.25	1/4	L + 0.266	0.156	0.094	0.063	0.38	1/16, 5/64
0.38	3/8	L + 0.344	0.188	0.125	0.094	0.50	7/64
0.50	1/2	L + 0.453	0.250	0.156	0.125	0.63	1/8, 9/64
0.63	5/8	L + 0.484	0.281	0.156	0.125	0.81	1/8, 9/64
0.75	3/4	L + 0.555	0.313	0.172	0.156	0.94	5/32
1.00	1"	L + 0.617	0.375	0.172	0.156	1.19	5/32

Days to Ship **1** Day

Quantity Discount Rate

Quantity	1~19	20~49	50~99	100~
Rate	—	2%	3%	5%

For larger quantity orders "Days to Ship" may differ from published catalog term. **P.29**



Standard Days to Ship **6** Days Non-Returnable **P.30**

Express **4** Days (Specify Express A) \$ 2.00/piece **P.30**

A flat charge of \$5.40 for 3 or more identical pieces.

Quantity Discount Rate

Quantity	1	2~4	5~19	20~
Rate	—	5%	15%	20%

For larger quantity orders "Days to Ship" may differ from published catalog term. **P.29**

Optional Modification Part No. — L — (Ordering Code)

Type D

U-HCLGN 0.50 — L 4.000 — HC 0.141

Optional Modification	Head Thickness Modification
Ordering Code	HC
Detail	<p>Example HC 0.141</p> <p>HC=0.001" Increments</p> <p>H<HC≤0.188</p> <p>L1=L+N+d/2+HC</p>
\$ Price Adder	3.00

When using Optional Modification, add the "Price Adder" to the standard "Unit Price".



Contents

How to Use the Catalog

Linear Motion

Linear Shafts

Bushings

Shaft Supports

Shaft Collars

Linear Guides

Rotary Motion

Rotary Shafts

Bearings w/ Housings

Pulleys Belts Couplings

Locating Components

Locating Pins & Bushings

Locating Components

General Components

Pivot Pins

Floating Joints

Posts

Device Stands

Strut Clamps

Angle Plates

Gussets

Welded Stands

Washers

Collars

Manifolds

Urethanes

Rubbers

Plates

Misc.

Technical Data

Business Information

Index