


Locating Pins –With Air Vent, Threaded Shank–



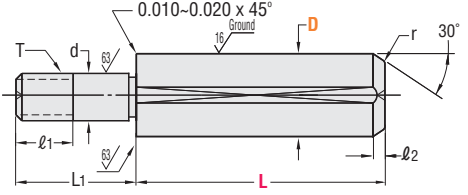
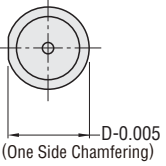
The Locating Pins with Air Vent (a small flat along the side of the head) are best for applications where the locating bore is blind. Regular locating pins will push out the air and create suction while being removed. Air vent will prevent the resistance created by such suction and eliminate the "popping" noise of the pin leaving the locating bore.

Price Revision
 New Price



Material	Hardness	Type
52100 Bearing Steel	45-50HRC	U-LPN
304 Stainless Steel	-	U-SLPN

Material Characteristics **P.628, 629**

General Tolerance
 Unless otherwise specified use the table below.

From	To	Tolerance
0.000	5.000	+0.01
5.001	16.000	+0.02
16.001	60.000	+0.05

Thread or hole location tolerance: ±0.005* non-cumulative.

Surface Roughness: Unless otherwise specified Ra

Type	Part No.			Selection (Callout)				L1	d			T (Thread)		l1	l2	r	\$ Unit Price (Qty.1-4)		
	Callout	Nominal	Tolerance	5/8	3/4	1"	1-3/16		Dia.	Tolerance	Size	Major Dia.	U-LPN				U-SLPN		
																		U-LPN	U-SLPN
U-LPN U-SLPN	0.19	3/16	0.1874	0.1871	0.63	0.75	1.00	0.500	0.1250	0.1249	0.1246	#5-40	0.125	0.31	0.05	0.05	3.80	5.00	
	0.25	1/4	0.2498	0.2494	0.63	0.75	1.00	1.19	0.625	0.1640	0.1639	0.1636	#8-32	0.164	0.44	0.05	0.05	4.00	5.50
	0.31	5/16	0.3123	0.3119	0.63	0.75	1.00	1.19	0.625	0.1875	0.1874	0.1871	#10-32	0.190	0.44	0.06	0.06	4.30	5.80
	0.38	3/8	0.3748	0.3744	0.63	0.75	1.00	1.19	0.813	0.2500	0.2498	0.2494	1/4-20	0.250	0.63	0.06	0.06	4.50	5.90
	0.50	1/2	0.4998	0.4994	0.75	1.00	1.19		0.813	0.2500	0.2498	0.2494	1/4-20	0.250	0.63	0.08	0.08	4.80	6.30

Order Example **U-LPN 0.31 L0.75** The part number consists only of the fields with blue characters. Please refer to the table below for technical information.

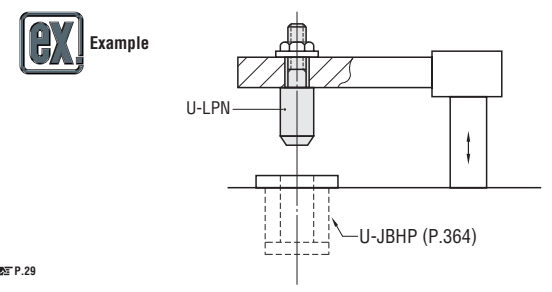
Part No.

Type

Technical Information

L Dimension		
Callout	Nominal	Actual
0.63	5/8	0.625
0.75	3/4	0.750
1.00	1"	1.000
1.19	1-3/16	1.188

Days to Ship **1** Day




Price

Quantity	1-4	5-19	20-49	50~
Rate	-	2%	3%	5%

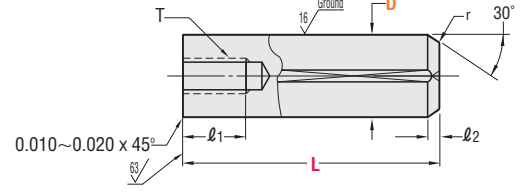
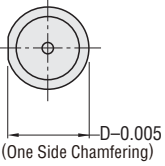
For larger quantity orders "Days to Ship" may differ from published catalog term. P.29

Locating Pins –With Air Vent, Tapped Shank–



Material	Hardness	Type
52100 Bearing Steel	45-50HRC	U-LPT
304 Stainless Steel	-	U-SLPT

Material Characteristics **P.628, 629**

General Tolerance
 Unless otherwise specified use the table below.

From	To	Tolerance
0.000	5.000	+0.01
5.001	16.000	+0.02
16.001	60.000	+0.05

Thread or hole location tolerance: ±0.005* non-cumulative.

Surface Roughness: Unless otherwise specified Ra

Type	Part No.			Selection (Callout)				T (Thread)		l1	l2	r	\$ Unit Price (Qty.1-4)		
	Callout	Nominal	Tolerance	5/8	3/4	1"	1-3/16	Size	Major Dia.				U-LPT	U-SLPT	
															U-LPT
U-LPT U-SLPT	0.19	3/16	0.1874	0.1871	0.63	0.75	1.00	1.19	#5-40	0.125	0.25	0.05	0.05	4.00	5.30
	0.25	1/4	0.2498	0.2494	0.63	0.75	1.00	1.19	#8-32	0.164	0.31	0.05	0.05	4.40	5.90
	0.31	5/16	0.3123	0.3119	0.63	0.75	1.00	1.19	#10-32	0.190	0.31	0.06	0.06	4.60	6.30
	0.38	3/8	0.3748	0.3744	0.75	1.00	1.19		1/4-20	0.250	0.38	0.06	0.06	4.90	7.00
	0.50	1/2	0.4998	0.4994	0.75	1.00	1.19		1/4-20	0.250	0.38	0.08	0.08	5.40	7.40

Order Example **U-SLPT 0.38 L1.00** The part number consists only of the fields with blue characters. Please refer to the table below for technical information.

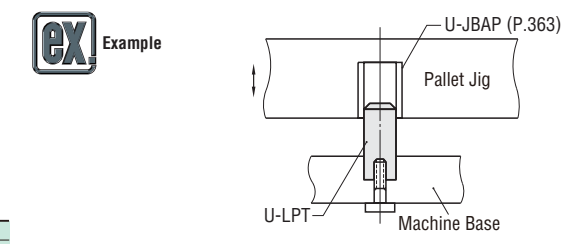
Part No.

Type

Technical Information

L Dimension		
Callout	Nominal	Actual
0.63	5/8	0.625
0.75	3/4	0.750
1.00	1"	1.000
1.19	1-3/16	1.188

Days to Ship **1** Day



Price

Quantity	1-4	5-19	20-49	50~
Rate	-	2%	3%	5%

For larger quantity orders "Days to Ship" may differ from published catalog term. P.29

