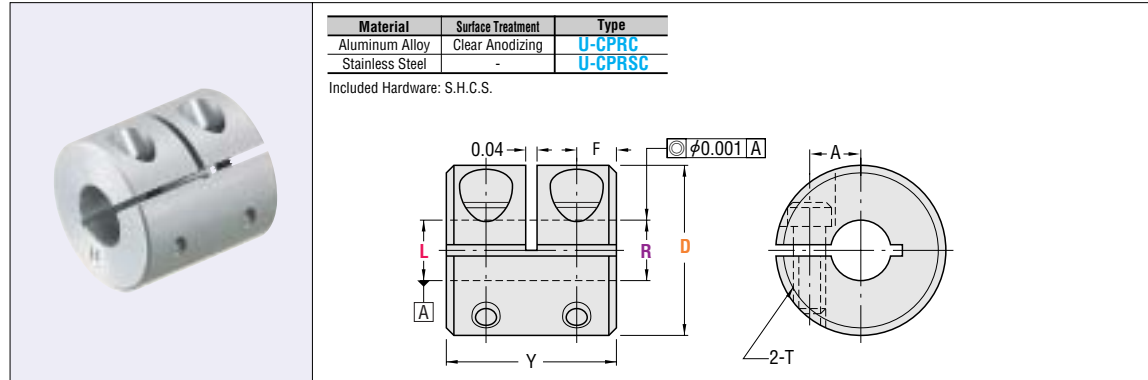


Couplings

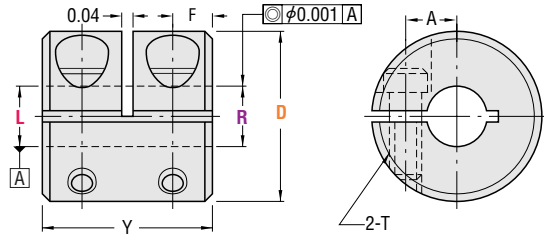
-Rigid-

The Rigid Couplings offer the highest torque transmission capacity and highest frequency response of all couplings, but at a cost of inability to absorb any misalignment of the shafts. The two shafts to be united with these Rigid Couplings will need to be in a near-perfect alignment to completely avoid damaging loads upon the shafts. Not recommended if the machine design does not provide good range of shaft centering, or self centering functionalities.



Material	Surface Treatment	Type
Aluminum Alloy	Clear Anodizing	U-CPRC
Stainless Steel	-	U-CPRSC

Included Hardware: S.H.C.S.



Part No.	L Selection					R Selection (Callout)									
	Type	D		in: Inch mm: Metric	Bore Dia.	Callout	Actual Dia. (in)	Inch Bore			Metric Bore				
		Callout (mm)	Diameter (in)					1/4	3/8	1/2	5mm	6mm	8mm	10mm	12mm
U-CPRC (Aluminum)	16	0.630	mm	5mm	5	0.1969				5	6				
			mm	6mm	6	0.2362					6				
	20	0.787	in	1/4"	0.25	0.2500	0.25					8			
			mm	6mm	6	0.2362	0.25					6	8		
U-CPRSC (Stainless)	25	0.984	in	3/8"	0.38	0.3750	0.38						10		
			mm	8mm	8	0.3150	0.38					8	10		
	32	1.260	mm	10mm	10	0.3937							10		
			mm	12mm	12	0.4724							12	14	
			mm	14mm	14	0.5512							14		

Order Example

The part number consists only of the fields with blue characters. Please refer to the table below for technical information.

Part No. — L — R

Type D

U-CPRC 20 — L 0.25 — R 8 (One End Inch Bore The Other End Metric Bore)
 U-CPRC 20 — L 0.25 — R 0.25 (Both Ends Inch Bore)
 U-CPRC 20 — L 6 — R 6 (Both Ends Metric Bore)

Technical Information

L, R					L, R				
Inch Bore					Metric Bore				
Callout (in)	Nominal (in)	Dimension (in)	Tolerance (in)		Callout (mm)	Metric Size	Dimension (in)	Tolerance (in)	
0.25	1/4	0.2500	0.2509	0.2500	5	5mm	0.1969	0.1976	0.1969
0.38	3/8	0.3750	0.3759	0.3750	6	6mm	0.2362	0.2369	0.2362
0.50	1/2	0.5000	0.5010	0.5000	8	8mm	0.3150	0.3159	0.3150
					10	10mm	0.3937	0.3946	0.3937
					12	12mm	0.4724	0.4734	0.4724
					14	14mm	0.5512	0.5522	0.5512

L and R tolerance are verified before the slit machining process.

D	Y	A	F	T (Clamping Bolts)	
				Size (mm)	Tightening Torque (lbf-in)
16	0.630	0.63	0.15	M2.5	8.85
20	0.787	0.79	0.19	M2.5	8.85
25	0.984	0.98	0.24	M3	13.28
32	1.260	1.26	0.31	M4	22.13

Part No.	Operating Torque (lb-in)	Max. Torque (lb-in)	Max Rev. (rpm)	Moment of Inertia (lb-in ²)	Mass (oz)
U-CPRC (Aluminum)	16	2.66	5.31	9500	0.0010
	20	4.43	8.85	7600	0.0030
	25	8.85	17.70	6100	0.0092
	32	17.70	35.40	4800	0.0243
U-CPRSC (Stainless)	16	2.66	5.31	9500	0.0027
	20	4.43	8.85	7600	0.0082
	25	8.85	17.70	6100	0.0249
	32	17.70	35.40	4800	0.0854



Standard

6 Days

Non-Returnable P.30

Express

4 Days (Specify Express A) \$ 2.00/piece

A flat charge of \$5.40 for 3 or more identical pieces.



Quantity Discount Rate

Quantity Rate	1-4	5-9	10-19	20~
	—	5%	10%	15%

For larger quantity orders "Days to Ship" may differ from published catalog term. P.29

D	\$ Unit Price (Qty. 1-4)	
	U-CPRC	U-CPRSC
16	11.70	18.50
20	12.90	20.20
25	14.60	23.00
32	18.60	33.10

