


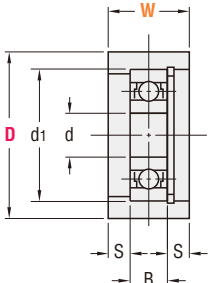
Idler Pulleys




The Idler Pulleys are generally used as tensioners and mounted on the outside of the belt. The tension should be applied on the loose side which is the opposite to the driving side. They are made out of 2017 aluminum and are clear anodized. There are two types available: with and without flange. The bearings included with the pulleys are pressed in and held with internal retaining rings.

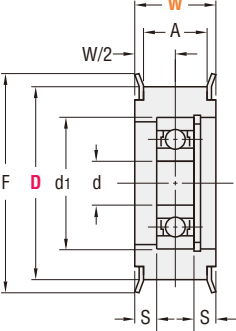


U-AFBD





U-AFDF (Flanged)



Material	Surface Treatment	Shape	Type
2017 Aluminum	Clear Anodizing	No Flange	U-AFBD
		Flanged	U-AFDF

General Tolerance
Unless otherwise specified use the table below.

From	To	Tolerance
0.000	5.000	±0.01
5.001	16.000	±0.02
16.001	60.000	±0.05

⚠ Thread or hole location tolerance: ±0.005' non-cumulative.

⚠ Bearing is press-fitted.

⚠ Material Characteristics: P.629

Type	Part No.		D		F	A	S	\$ Unit Price Qty. 1-4	
	Callout	Actual	Callout	Actual				U-AFBD	U-AFDF
U-AFBD U-AFDF	0.50	0.500	1.00	1.000	1.18	0.31	0.15	21.10	22.00
	0.63	0.625	1.38	1.375	1.57	0.44	0.17	21.80	22.70
	0.63	0.625	1.63	1.625	1.89	0.44	0.16	23.90	24.60
	0.75	0.750	1.38	1.375	1.57	0.56	0.23	22.90	23.60
	0.75	0.750	1.63	1.625	1.89	0.56	0.22	24.20	24.80
	0.88	0.875	1.75	1.750	2.17	0.69	0.28	24.20	24.80
	1.06	1.063	2.00	2.000	2.28	0.88	0.38	24.60	25.20

⚠ Order Example: The part number consists only of the fields with blue characters. ⚠ Please refer to the table below for technical information.

Order Example

Part No. —

Type —

U-AFBD 0.75 — D 1.38

Technical Information

W	D	Bearing				Retaining Ring No.
		No.	d	d1	B	
0.50	1.00	R4ZZ	0.250	0.625	0.196	JIS B 2804 #16
0.63	1.38	R6ZZ	0.375	0.875	0.281	JIS B 2804 #24
0.63	1.63	R8ZZ	0.500	1.125	0.313	JIS B 2804 #30
0.75	1.38	R6ZZ	0.375	0.875	0.281	JIS B 2804 #24
0.75	1.63	R8ZZ	0.500	1.125	0.313	JIS B 2804 #30
0.88	1.75	R8ZZ	0.500	1.125	0.313	JIS B 2804 #30
1.06	2.00	R8ZZ	0.500	1.125	0.313	JIS B 2804 #30



Days to Ship

Standard 6 Days

Express 4 Days (Specify Express A) \$2.00/piece P.30

⚠ Non-Returnable P.30 ⚠ A flat charge of \$5.40 for 3 or more identical pieces.



Price

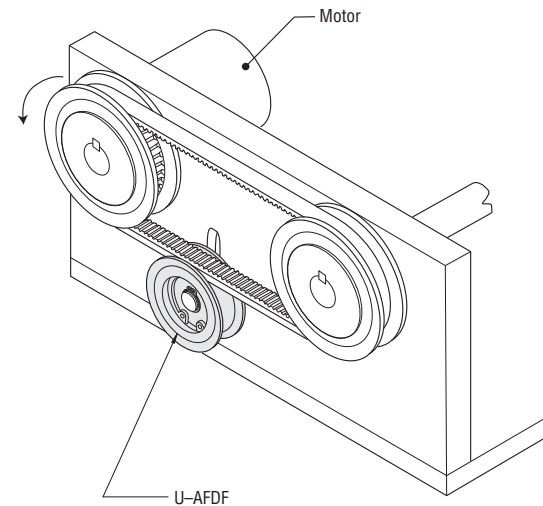
Quantity Discount Rate

Quantity	1-4	5-9	10-19	20-
Rate	—	5%	10%	15%

⚠ For larger quantity orders "Days to Ship" may differ from published catalog term. P.29



Example



- Contents
- How to Use the Catalog
- Linear Motion
- Linear Shafts
- Bushings
- Shaft Supports
- Shaft Collars
- Linear Guides
- Rotary Motion
- Rotary Shafts
- Bearings w/ Housings
- Pulleys Belts Couplings
- Locating Components
- Locating Pins & Bushings
- Locating Components
- General Components
- Pivot Pins
- Floating Joints
- Posts
- Device Stands
- Strut Clamps
- Angle Plates
- Gussets
- Welded Stands
- Washers
- Collars
- Manifolds
- Urethanes
- Rubbers
- Plates
- Misc.
- Technical Data
- Business Information
- Index



Cantilever Shafts P.231



Cantilever Shafts P.247

