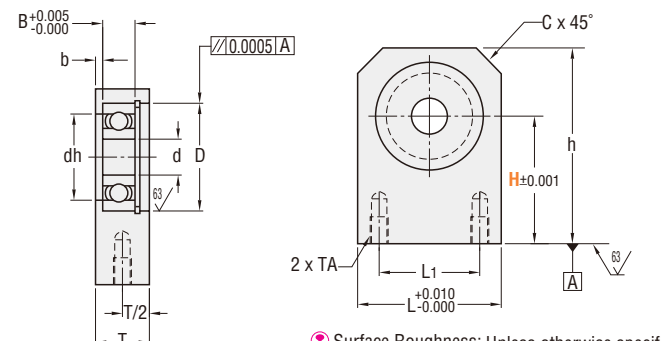


Material	Surface Treatment	Type
1045 Steel	Electroless Nickel Plating	U-BGBK
2017 Aluminum	Clear Anodizing	U-BGBKA
304 Stainless Steel	—	U-BGBKS

Bearing Tolerance: ABEC-1 ANSI/ABMA 20-1987 **P.274**
 Included Hardware: Retaining Ring (304 Stainless Steel)



Surface Roughness: Unless otherwise specified $\sqrt{0.0005}$

From	To	Tolerance
0.000	5.000	±0.01
5.001	16.000	±0.02
16.001	60.000	±0.05

General Tolerance
 Unless otherwise specified use the table below.
 Thread or hole location tolerance: ±0.005 non-cumulative.

Part No.		H Selection				
Type	Bearing No.	1"	1-1/4"	1-1/2"	2"	2-1/2"
U-BGBK U-BGBKA U-BGBKS	6000ZZ	1.00	1.25	1.50		
	6001ZZ	1.00	1.25	1.50		
	6002ZZ		1.25	1.50	2.00	
	6003ZZ		1.25	1.50	2.00	
	6004ZZ			1.50	2.00	2.50
	6005ZZ			1.50	2.00	2.50

Order Example The part number consists only of the fields with blue characters. Please refer to the table below for technical information.

Part No. — **H**

Type **U-BGBK** Bearing No. **6000ZZ** — **H 1.50**

Technical Information

Bearing No.	d		D (H7)		B		dh	b	h	L	L1	C	T	TA (Thread)		Compatible Bolt
	mm	Inch	mm	Inch	mm	Inch								Size	Depth	
6000ZZ	10	0.3937	26	1.0236	8	0.315	0.866	0.125	H+0.625	1.500	1.125	0.375	0.563	#10-32	0.285	#10
6001ZZ	12	0.4724	28	1.1024	8	0.315	0.945	0.125	H+0.688	1.625	1.125	0.375	0.563	#10-32	0.285	#10
6002ZZ	15	0.5906	32	1.2598	9	0.354	1.102	0.125	H+0.750	2.000	1.375	0.375	0.625	1/4-20	0.375	1/4
6003ZZ	17	0.6693	35	1.3780	10	0.394	1.220	0.125	H+0.813	2.000	1.375	0.375	0.688	1/4-20	0.375	1/4
6004ZZ	20	0.7874	42	1.6535	12	0.472	1.417	0.094	H+1.000	2.125	1.500	0.500	0.750	5/16-18	0.469	5/16
6005ZZ	25	0.9843	47	1.8504	12	0.472	1.614	0.094	H+1.125	2.375	1.625	0.500	0.750	5/16-18	0.469	5/16

The D (H7) is a standard fit representing clearance fit tolerance. **P.608**

Days to Ship **1** Day

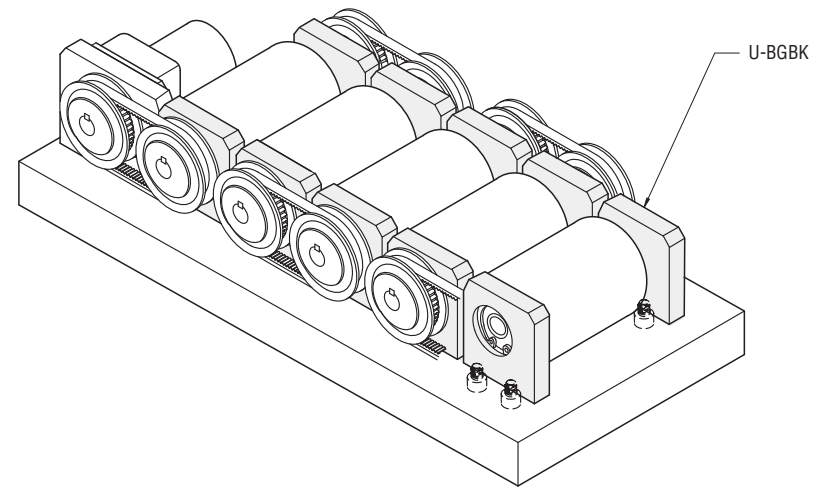
Price

Quantity Discount Rate				
Quantity	1-4	5-9	10-19	20~
Rate	—	2%	3%	5%

For larger quantity orders "Days to Ship" may differ from published catalog term. **P.29**

Bearing No.	\$ Unit Price (Qty. 1-4)		
	U-BGBK	U-BGBKA	U-BGBKS
6000ZZ	38.20	34.30	62.90
6001ZZ	40.70	36.40	66.20
6002ZZ	42.50	38.20	72.40
6003ZZ	45.00	40.30	78.70
6004ZZ	45.80	41.40	84.60
6005ZZ	49.00	44.00	87.20

Example



Related Components

- Shaft Collars P.143
- Rotary Shafts P.205
- Bearing Locknuts P.275

Express Options **P.30**

MISUMI
 www.misumiusa.com E-mail: inquire@misumiusa.com

TEL. 1-847-843-9105 FAX. 1-847-843-9107 TOLL FREE TEL. 1-800-681-7475 TOLL FREE FAX. 1-800-681-7402

- Contents
- How to Use the Catalog
- Linear Motion
- Linear Shafts
- Bushings
- Shaft Supports
- Shaft Collars
- Linear Guides
- Rotary Motion
- Rotary Shafts
- Bearings w/ Housings
- Pulleys
- Belts
- Couplings
- Locating Components
- Locating Pins & Bushings
- Locating Components
- General Components
- Pivot Pins
- Floating Joints
- Posts
- Device Stands
- Strut Clamps
- Angle Plates
- Gussets
- Welded Stands
- Washers
- Collars
- Manifolds
- Urethanes
- Rubbers
- Plates
- Misc.
- Technical Data
- Business Information
- Index