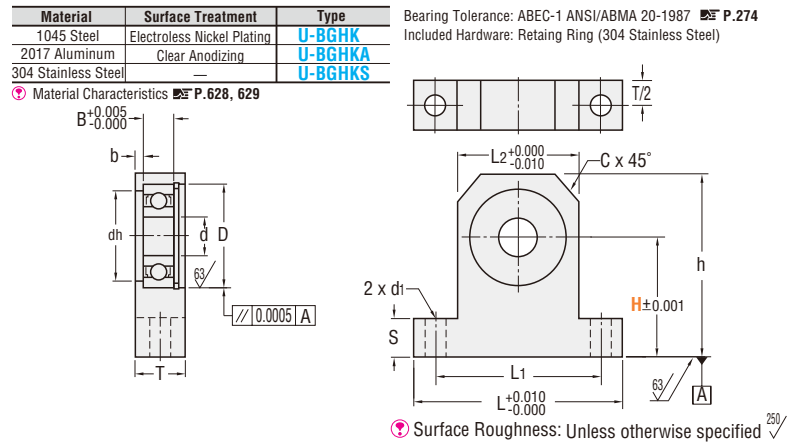


Bearings with Housings –T-Shaped Base Mount– –Standard–



The following sections contain our Base Mount Type Bearing Units. These units can free-stand on flat surfaces to provide raised shaft supporting structure. Choose the housing material from steel, stainless steel and aluminum. The stainless steel housings are supplied with all-stainless radial bearings. As with our other products, many of the dimensional parameters can be selected for those demanding custom applications.



General Tolerance
Unless otherwise specified use the table below.

From	To	Tolerance
0.000	5.000	±0.01
5.001	16.000	±0.02
16.001	60.000	±0.05

Thread or hole location tolerance: ±0.005* non-cumulative.

Part No.	H Selection						
	Bearing No.	3/4	1"	1-1/4	1-1/2	2"	2-1/2
U-BGHK U-BGHKA U-BGHKS	6000ZZ	0.75		1.25	1.50		
	6001ZZ		1.00	1.25	1.50		
	6002ZZ			1.25	1.50	2.00	
	6003ZZ			1.25	1.50	2.00	
	6004ZZ				1.50	2.00	2.50
	6005ZZ				1.50	2.00	2.50

Order Example **The part number consists only of the fields with blue characters.** **Please refer to the table below for technical information.**

Part No. **H**

Type **U-BGHK** Bearing No. **6000ZZ** — **H 1.50**

Technical Information

Bearing No.	d		D (H7)		B		dh	b	h	L	L1	L2	C	T	S	d1	Compatible Bolt
	mm	Inch	mm	Inch	mm	Inch											
6000ZZ	10	0.3937	26	1.0236	8	0.315	0.866	0.125	H+0.625	2.063	1.625	1.188	0.375	0.563	0.38	0.206	#10
6001ZZ	12	0.4724	28	1.1024	8	0.315	0.945	0.125	H+0.688	2.375	1.875	1.375	0.375	0.563	0.38	0.206	#10
6002ZZ	15	0.5906	32	1.2598	9	0.354	1.102	0.125	H+0.750	2.625	2.125	1.500	0.375	0.625	0.50	0.281	1/4
6003ZZ	17	0.6693	35	1.3780	10	0.394	1.220	0.125	H+0.813	2.813	2.250	1.688	0.375	0.688	0.50	0.281	1/4
6004ZZ	20	0.7874	42	1.6535	12	0.472	1.417	0.094	H+1.000	3.250	2.625	1.938	0.500	0.750	0.63	0.344	5/16
6005ZZ	25	0.9843	47	1.8504	12	0.472	1.614	0.094	H+1.125	3.500	2.875	2.188	0.500	0.750	0.63	0.344	5/16

The D (H7) is a standard fit representing clearance fit tolerance. **P.608**



Days to Ship **1** Day

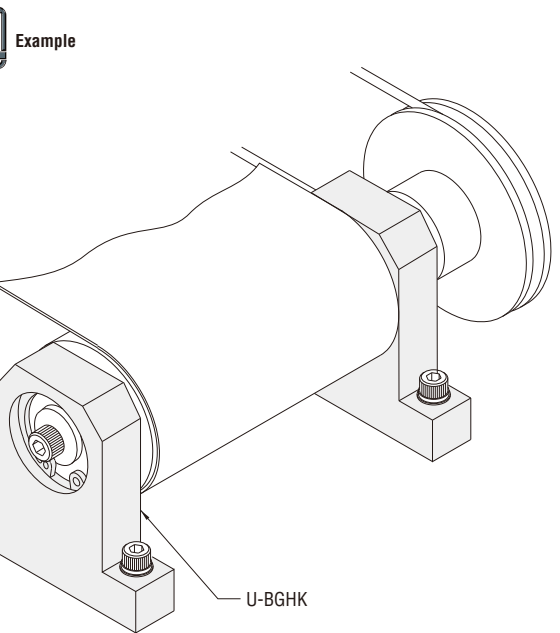


Quantity Discount Rate

Quantity	1-4	5-9	10-19	20~
Rate	—	2%	3%	5%

For larger quantity orders "Days to Ship" may differ from published catalog term. **P.29**

Bearing No.	\$ Unit Price (Qty. 1-4)		
	U-BGHK	U-BGHKA	U-BGHKS
6000ZZ	32.90	29.60	53.30
6001ZZ	34.80	31.20	56.10
6002ZZ	36.60	32.90	61.40
6003ZZ	38.40	34.50	66.50
6004ZZ	39.30	35.40	71.60
6005ZZ	41.70	-	-



Related Components

- Shaft Collars P.143
- Rotary Shafts P.205
- Bearing Locknuts P.275

Express Options **P.30**

MISUMI
www.misumiusa.com E-mail: inquire@misumiusa.com

TEL.1-847-843-9105 FAX.1-847-843-9107 TOLL FREE TEL.1-800-681-7475 TOLL FREE FAX.1-800-681-7402

- Contents
- How to Use the Catalog
- Linear Motion
- Linear Shafts
- Bushings
- Shaft Supports
- Shaft Collars
- Linear Guides
- Rotary Motion
- Rotary Shafts
- Bearings w/ Housings
- Pulleys
- Belts
- Couplings
- Locating Components
- Locating Pins & Bushings
- Locating Components
- General Components
- Pivot Pins
- Floating Joints
- Posts
- Device Stands
- Strut Clamps
- Angle Plates
- Gussets
- Welded Stands
- Washers
- Collars
- Manifolds
- Urethanes
- Rubbers
- Plates
- Misc.
- Technical Data
- Business Information
- Index