

Bearings with Housings –Direct Mount–



The Direct Mount Bearing with Housings hold metric rotary bearings. They are available in three different shape configurations : Round, Square and Compact. The housing is designed to be mounted directly to a flat surface. Please remember that the surface that the bearing will be mounted on should only lock the outer race of the bearing. The hole size of the mating plate should be no smaller than "dh". No additional shims are needed for the assembly.

Material	Surface Treatment	Type	
		Round	Square
1045 Steel	Electroless Nickel Plating	U-BGRN	U-BGSN
2017 Aluminum	Clear Anodizing	U-BARN	U-BASN
304 Stainless Steel	-	U-SBGRN	U-SBGSN

Bearing Tolerance: ABEC-1 ANSI/ABMA20-1987 **P.274**
Included Hardware: Retaining Ring (304 Stainless Steel)

Material Characteristics **P.628, 629**

Round

Square

General Tolerance
Unless otherwise specified use the table below.

From	To	Tolerance
0.000	5.000	±0.01
5.001	16.000	±0.02
16.001	60.000	±0.05

Thread or hole location tolerance: ±0.005* non-cumulative.

Surface Roughness: Unless otherwise specified **25/**

Part No.	Type	Bearing No.	d		D (H7)		B		H	T	dh	P.C.D.	K	d2	d1	H1	Compatible Bolt
			mm	Inch	mm	Inch	mm	Inch									
U-BGRN	Round	6000ZZ	10	0.3937	26	1.0236	8	0.315	1.94	0.409	0.866	1.563	1.50	0.180	0.313	0.180	#8
	U-BARN	6001ZZ	12	0.4724	28	1.1024	8	0.315	2.06	0.409	0.945	1.625	1.56	0.180	0.313	0.180	#8
	U-SBGRN	6002ZZ	15	0.5906	32	1.2598	9	0.354	2.38	0.448	1.102	1.875	1.81	0.206	0.375	0.206	#10
U-BGSN	Square	6003ZZ	17	0.6693	35	1.3780	10	0.394	2.56	0.488	1.220	2.063	1.94	0.206	0.375	0.206	#10
	U-BASN	6004ZZ	20	0.7874	42	1.6535	12	0.472	2.94	0.566	1.417	2.375	2.31	0.281	0.438	0.281	1/4
	U-SBGSN	6005ZZ	25	0.9843	47	1.8504	12	0.472	3.38	0.566	1.614	2.750	2.63	0.344	0.531	0.344	5/16

Order Example The part number consists only of the fields with blue characters. The D (H7) is a standard fit representing clearance fit tolerance. **P.608**

Part No.

Type Bearing No.

Days to Ship **1** Day

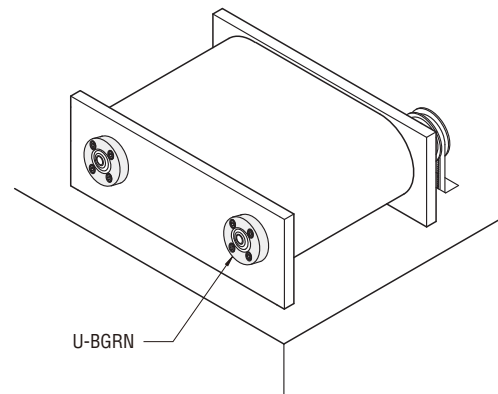
ex Example

Price

Quantity	Rate
1-9	—
10-19	2%
20-49	3%
50-	5%

For larger quantity orders "Days to Ship" may differ from published catalog term. **P.29**

Bearing No.	\$ Unit Price (Qty. 1-9)					
	Round			Square		
	U-BGRN	U-BARN	U-SBGRN	U-BGSN	U-BASN	U-SBGSN
6000ZZ	17.70	19.20	29.50	19.20	22.10	33.20
6001ZZ	18.40	21.50	30.10	20.00	24.60	34.80
6002ZZ	19.20	22.50	34.60	22.60	25.50	39.50
6003ZZ	21.90	25.70	42.50	24.80	28.40	47.60
6004ZZ	22.60	26.00	46.90	25.40	29.60	52.00
6005ZZ	23.80	27.60	50.80	26.90	32.30	56.30



Material	Surface Treatment	Type
		Compact
1045 Steel	Electroless Nickel Plating	U-BGCN
2017 Aluminum	Clear Anodizing	U-BACN
304 Stainless Steel	-	U-SBGCN

Bearing Tolerance: ABEC-1 ANSI/ABMA20-1987 **P.274**
Included Hardware: Retaining Ring (304 Stainless Steel)

Material Characteristics **P.628, 629**

Compact

General Tolerance
Unless otherwise specified use the table below.

From	To	Tolerance
0.000	5.000	±0.01
5.001	16.000	±0.02
16.001	60.000	±0.05

Thread or hole location tolerance: ±0.005* non-cumulative.

Surface Roughness: Unless otherwise specified **25/**

Part No.	Type	Bearing No.	d		D (H7)		B		H	T	dh	W	A	F	d2	d1	H1	Compatible Bolt
			mm	Inch	mm	Inch	mm	Inch										
U-BGCN	Compact	626ZZ	6	0.2362	19	0.7480	6	0.236	1.63	0.330	0.591	0.94	1.250	-	0.180	0.313	0.180	#8
	628ZZ	8	0.3150	24	0.9449	8	0.315	1.81	0.409	0.787	1.25	1.438	-	0.180	0.313	0.180	#8	
	6000ZZ	10	0.3937	26	1.0236	8	0.315	1.94	0.409	0.866	1.31	1.563	-	0.180	0.313	0.180	#8	
	6001ZZ	12	0.4724	28	1.1024	8	0.315	2.06	0.409	0.945	1.38	1.625	-	0.180	0.313	0.180	#8	
	6002ZZ	15	0.5906	32	1.2598	9	0.354	2.38	0.448	1.102	1.63	1.875	-	0.206	0.375	0.206	#10	
U-BACN	6003ZZ	17	0.6693	35	1.3780	10	0.394	2.56	0.488	1.220	1.75	1.750	1.125	0.206	0.375	0.206	#10	
	6004ZZ	20	0.7874	42	1.6535	12	0.472	2.94	0.566	1.417	2.00	2.125	1.188	0.281	0.438	0.281	1/4	
	6005ZZ	25	0.9843	47	1.8504	12	0.472	3.38	0.566	1.614	2.25	2.375	1.375	0.344	0.531	0.344	5/16	

Order Example The part number consists only of the fields with blue characters. The D (H7) is a standard fit representing clearance fit tolerance. **P.608**

Part No.

Type Bearing No.

Days to Ship **1** Day

ex Example

Price

Quantity	Rate
1-9	—
10-19	2%
20-49	3%
50-	5%

For larger quantity orders "Days to Ship" may differ from published catalog term. **P.29**

Bearing No.	\$ Unit Price (Qty. 1-9)		
	Compact		
	U-BGCN	U-BACN	U-SBGCN
626ZZ	17.70	19.10	31.50
628ZZ	18.60	21.20	31.90
6000ZZ	19.50	21.60	32.30
6001ZZ	19.90	23.90	33.60
6002ZZ	21.60	24.70	37.40
6003ZZ	23.80	27.50	45.10
6004ZZ	24.50	28.60	50.00
6005ZZ	26.80	30.60	53.20

