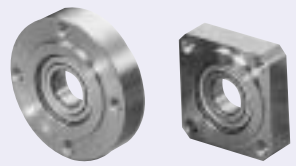


Bearings with Housings –Standard with Pilots–

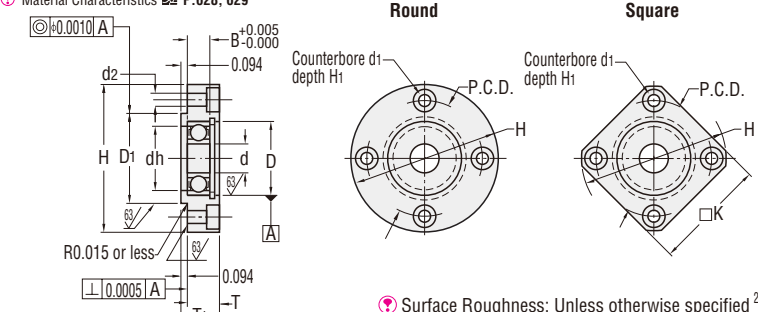
These Bearing Housing Sets are similar to the standard. The concentric pilot on one side helps center the bearing unit precisely to the mounting target bore. Available in three shapes and three material options - carbon steel, stainless steels and anodized aluminium.



Material	Surface Treatment	Type	
		Round	Square
1045 Steel	Electroless Nickel Plating	U-BGRR	U-BGSR
2017 Aluminum	Clear Anodizing	U-BARR	U-BASR
304 Stainless Steel	-	U-SBGR	U-SBGR

Bearing Tolerance: ABEC-1 ANSI/ABMA20-1987 P.274
Included Hardware: Retaining Ring (304 Stainless Steel)

Material Characteristics P.628, 629



General Tolerance
Unless otherwise specified use the table below.

From	To	Tolerance
0.000	5.000	±0.01
5.001	16.000	±0.02
16.001	60.000	±0.05

Thread or hole location tolerance: ±0.005* non-cumulative.

Surface Roughness: Unless otherwise specified 250

Part No.	Type	Bearing No.	d		D (H7)		B		H	T	T1	dh	D1		P.C.D.	K	d2	d1	H1	Compatible Bolt	
			mm	Inch	mm	Inch	mm	Inch					Dimension	Tolerance(in)							
6000ZZ	Round	6000ZZ	10	0.3937	26	1.0236	8	0.315	1.94	0.438	0.531	0.866	1.2500	1.2496	1.2487	1.563	1.50	0.180	0.313	0.180	#8
6001ZZ	U-BGRR	6001ZZ	12	0.4724	28	1.1024	8	0.315	2.06	0.438	0.531	0.945	1.3125	1.3121	1.3112	1.625	1.56	0.180	0.313	0.180	#8
6002ZZ	U-BARR	6002ZZ	15	0.5906	32	1.2598	9	0.354	2.38	0.469	0.563	1.102	1.5000	1.4996	1.4987	1.875	1.81	0.206	0.375	0.206	#10
6003ZZ	U-SBGR	6003ZZ	17	0.6693	35	1.3780	10	0.394	2.56	0.563	0.656	1.220	1.6875	1.6871	1.6862	2.063	1.94	0.206	0.375	0.206	#10
6004ZZ	Square	6004ZZ	20	0.7874	42	1.6535	12	0.472	2.94	0.656	0.750	1.417	1.8750	1.8746	1.8737	2.375	2.31	0.281	0.438	0.281	1/4
6005ZZ	U-BGSR	6005ZZ	25	0.9843	47	1.8504	12	0.472	3.38	0.656	0.750	1.614	2.1250	2.1246	2.1234	2.750	2.63	0.344	0.531	0.344	5/16

Order Example The part number consists only of the fields with blue characters. The D (H7) is a standard fit representing clearance fit tolerance. P.608

Part No.

Type Bearing No.

U-BGRR 6000ZZ

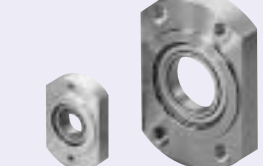
Days to Ship **1** Day

Price

Quantity	1-9	10-19	20-49	50~
Rate	-	2%	3%	5%

For larger quantity orders "Days to Ship" may differ from published catalog term. P.29

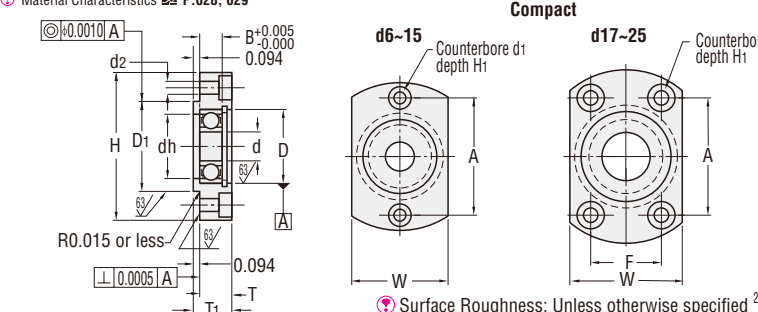
Bearing No.	\$ Unit Price (Qty. 1-9)					
	Round			Square		
	U-BGRR	U-BARR	U-SBGR	U-BGSR	U-BASR	U-SBGR
6000ZZ	22.00	24.60	35.40	25.00	27.60	40.00
6001ZZ	22.60	26.30	36.90	25.60	29.80	41.60
6002ZZ	24.50	27.60	41.50	27.80	31.00	47.00
6003ZZ	27.30	31.40	53.50	30.80	35.40	60.30
6004ZZ	27.90	32.10	54.60	31.50	36.40	61.80
6005ZZ	28.60	-	-	32.30	-	-



Material	Surface Treatment	Type	
		Compact	Compact
1045 Steel	Electroless Nickel Plating	U-BGCR	U-BGCR
2017 Aluminum	Clear Anodizing	U-BACR	U-BACR
304 Stainless Steel	-	U-SBGR	U-SBGR

Bearing Tolerance: ABEC-1 ANSI/ABMA20-1987 P.274
Included Hardware: Retaining Ring (304 Stainless Steel)

Material Characteristics P.628, 629



General Tolerance
Unless otherwise specified use the table below.

From	To	Tolerance
0.000	5.000	±0.01
5.001	16.000	±0.02
16.001	60.000	±0.05

Thread or hole location tolerance: ±0.005* non-cumulative.

Surface Roughness: Unless otherwise specified 250

Part No.	Type	Bearing No.	d		D (H7)		B		H	T	T1	dh	D1		W	A	F	d2	d1	H1	Compatible Bolt	
			mm	Inch	mm	Inch	mm	Inch					Dimension	Tolerance(in)								
626ZZ	Compact	626ZZ	6	0.2362	19	0.7480	6	0.236	1.63	0.344	0.438	0.591	0.8750	0.8747	0.8739	0.94	1.250	-	0.180	0.313	0.180	#8
628ZZ	U-BGCR	628ZZ	8	0.3150	24	0.9449	8	0.315	1.81	0.438	0.531	0.787	1.1250	1.1247	1.1239	1.25	1.438	-	0.180	0.313	0.180	#8
6000ZZ	U-BARR	6000ZZ	10	0.3937	26	1.0236	8	0.315	1.94	0.438	0.531	0.866	1.2500	1.2496	1.2487	1.31	1.563	-	0.180	0.313	0.180	#8
6001ZZ	U-BGCR	6001ZZ	12	0.4724	28	1.1024	8	0.315	2.06	0.438	0.531	0.945	1.3125	1.3121	1.3112	1.38	1.625	-	0.180	0.313	0.180	#8
6002ZZ	U-BACR	6002ZZ	15	0.5906	32	1.2598	9	0.354	2.38	0.469	0.563	1.102	1.5000	1.4996	1.4987	1.63	1.875	-	0.206	0.375	0.206	#10
6003ZZ	U-SBGR	6003ZZ	17	0.6693	35	1.3780	10	0.394	2.56	0.563	0.656	1.220	1.6875	1.6871	1.6862	1.75	1.750	1.125	0.206	0.375	0.206	#10
6004ZZ	U-BGCR	6004ZZ	20	0.7874	42	1.6535	12	0.472	2.94	0.656	0.750	1.417	1.8750	1.8746	1.8737	2.00	2.125	1.188	0.281	0.438	0.281	1/4
6005ZZ	U-SBGR	6005ZZ	25	0.9843	47	1.8504	12	0.472	3.38	0.656	0.750	1.614	2.1250	2.1246	2.1234	2.25	2.375	1.375	0.344	0.531	0.344	5/16

Order Example The part number consists only of the fields with blue characters. The D (H7) is a standard fit representing clearance fit tolerance. P.608

Part No.

Type Bearing No.

U-BGCR 6000ZZ

Days to Ship **1** Day

Price

Quantity	1-9	10-19	20-49	50~
Rate	-	2%	3%	5%

For larger quantity orders "Days to Ship" may differ from published catalog term. P.29

Bearing No.	\$ Unit Price (Qty. 1-9)		
	Compact		
	U-BGCR	U-BACR	U-SBGR
626ZZ	22.00	24.10	38.90
628ZZ	23.00	26.50	41.70
6000ZZ	24.00	26.60	41.80
6001ZZ	24.60	28.60	42.00
6002ZZ	26.60	29.90	45.10
6003ZZ	29.60	32.60	54.30
6004ZZ	30.30	35.00	59.40
6005ZZ	31.10	-	-

Related Components

- Shaft Collars P.143
- Rotary Shafts P.205
- Bearing Locknuts P.275

Express Options P.30

MISUMI
www.misumiusa.com E-mail: inquire@misumiusa.com

TEL.1-847-843-9105 FAX.1-847-843-9107 TOLL FREE TEL.1-800-681-7475 TOLL FREE FAX.1-800-681-7402

- Contents
- How to Use the Catalog
- Linear Motion
- Linear Shafts
- Bushings
- Shaft Supports
- Shaft Collars
- Linear Guides
- Rotary Motion
- Rotary Shafts
- Bearings w/ Housings
- Pulleys Belts Couplings
- Locating Components
- Locating Pins & Bushings
- Locating Components
- General Components
- Pivot Pins
- Floating Joints
- Posts
- Device Stands
- Strut Clamps
- Angle Plates
- Gussets
- Welded Stands
- Washers
- Collars
- Manifolds
- Urethanes
- Rubbers
- Plates
- Misc.
- Technical Data
- Business Information
- Index