

L-Gibs –Configurable–



Configurable L-Gibs are available in nickel plated carbon steel. They can be used for various applications where a short stroke linear motion is required. You can select various slide thickness and total gib height, with hole spacing and sliding length configurable from a given range spec with 0.010" increments. The longer gibs have three mounting holes.

Material	Surface Treatment	Hardness	Type
1045 Steel	Electroless Nickel Plating	HV500-	U-GRRMF

Material Characteristics: P.628

A ≤ 5.00
2 x d2 thru, c-bore d1, depth h

A > 5.00
3 x d2 thru, c-bore d1, depth h

General Tolerance
Unless otherwise specified use the table below.

From	To	Tolerance
0.000	5.000	±0.01
5.001	16.000	±0.02
16.001	60.000	±0.05

Thread or hole location tolerance: ±0.005" non-cumulative.

Surface Roughness: Unless otherwise specified 250

Type	Part No. S			T Selection (Callout)							Choose in 0.01" Increments				
	Callout	Nominal	Tolerance	7/16	1/2	5/8	3/4	7/8	1"	1-1/4	1-1/2	A	E	F	G
U-GRRMF	0.25	1/4	0.251	0.250	0.44	0.50						1.50 ~ 3.50	0.19 ~ 2.93	0.57 ~ 3.12	-
	0.25	1/4	0.251	0.250	0.44	0.50						3.51 ~ 5.00	0.19 ~ 4.43	0.57 ~ 4.81	-
	0.31	5/16	0.314	0.313		0.50	0.63					2.50 ~ 5.00	0.25 ~ 4.25	0.75 ~ 4.75	-
	0.31	5/16	0.314	0.313		0.50	0.63					5.01 ~ 8.00	0.25 ~ 6.75	0.75 ~ 7.25	1.25 ~ 7.75
	0.38	3/8	0.376	0.375			0.63	0.75				2.50 ~ 5.00	0.25 ~ 4.25	0.75 ~ 4.75	-
	0.38	3/8	0.376	0.375			0.63	0.75				5.01 ~ 8.00	0.25 ~ 6.75	0.75 ~ 7.25	1.25 ~ 7.75
	0.50	1/2	0.501	0.500				0.88	1.00			4.00 ~ 5.00	0.38 ~ 3.86	1.14 ~ 4.62	-
	0.50	1/2	0.501	0.500				0.88	1.00			5.01 ~ 8.00	0.38 ~ 6.10	1.14 ~ 6.86	1.90 ~ 7.62
	0.63	5/8	0.626	0.625					1.00	1.25		4.00 ~ 5.00	0.38 ~ 3.86	1.14 ~ 4.62	-
	0.63	5/8	0.626	0.625					1.00	1.25		5.01 ~ 8.00	0.38 ~ 6.10	1.14 ~ 6.86	1.90 ~ 7.62
	0.75	3/4	0.751	0.750						1.25	1.50	4.00 ~ 5.00	0.38 ~ 3.86	1.14 ~ 4.62	-
	0.75	3/4	0.751	0.750						1.25	1.50	5.01 ~ 8.00	0.38 ~ 6.10	1.14 ~ 6.86	1.90 ~ 7.62

Order Example

The part number consists only of the fields with blue characters. Please refer to the table below for technical information.

Part No. **T** - **A** - **E** - **F** - **G**

Type **S**

U-GRRMF 0.50 - T 0.88 - A 7.50 - E 0.50 - F 4.00 - G 7.00

Technical Information

S	B	W	Y	d1	d2	h	Compatible Bolt
0.25	0.625	0.438	0.188	0.313	0.180	0.180	#8
0.31	0.750	0.563	0.250	0.375	0.206	0.206	#10
0.38	0.750	0.500	0.250	0.375	0.206	0.206	#10
0.50	1.125	0.750	0.375	0.438	0.281	0.281	1/4
0.63	1.125	0.750	0.375	0.438	0.281	0.281	1/4
0.75	1.500	1.000	0.500	0.531	0.344	0.344	5/16

T	Callout	Actual
0.44	0.44	0.438
0.50	0.50	0.500
0.63	0.63	0.625
0.75	0.75	0.750
0.88	0.88	0.875
1.00	1.00	1.000
1.25	1.25	1.250
1.50	1.50	1.500



Days to Ship **8** Days

Non-Returnable P.30



Quantity Discount Rate

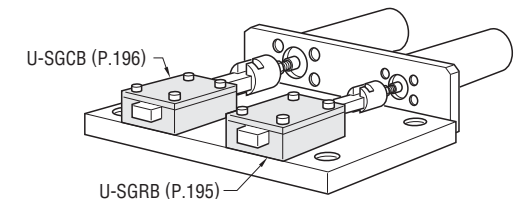
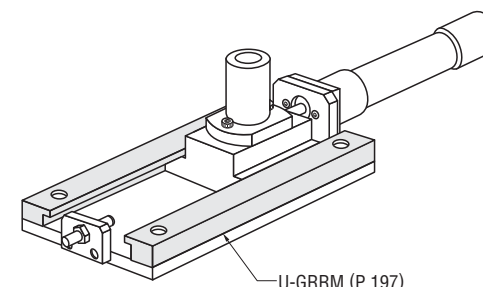
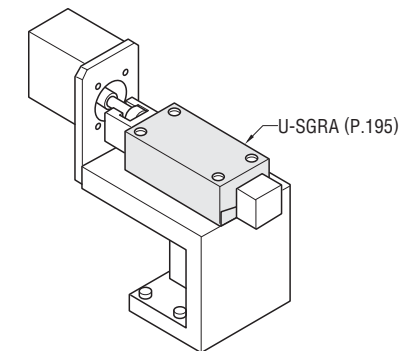
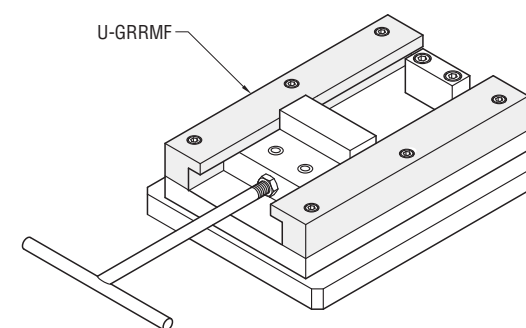
Quantity Rate	1-4	5-9	10-19	20-
Rate	-	5%	10%	15%

For larger quantity orders "Days to Ship" may differ from published catalog term. P.29

S	\$ Unit Price (Qty. 1~4)		
	A1.50~3.00	A3.01~5.00	A5.01~8.00
0.25	43.50	47.80	-
0.31	47.10	49.20	55.40
0.38	47.10	49.20	55.40
0.50	-	52.90	62.00
0.63	-	52.90	62.00
0.75	-	78.30	91.50



Example



- Contents
- How to Use the Catalog
- Linear Motion
- Linear Shafts
- Bushings
- Shaft Supports
- Shaft Collars
- Linear Guides
- Rotary Motion
- Rotary Shafts
- Bearings w/ Housings
- Pulleys
- Belts
- Couplings
- Locating Components
- Locating Pins & Bushings
- Locating Components
- General Components
- Pivot Pins
- Floating Joints
- Posts
- Device Stands
- Strut Clamps
- Angle Plates
- Gussets
- Welded Stands
- Washers
- Collars
- Manifolds
- Urethanes
- Rubbers
- Plates
- Misc.
- Technical Data
- Business Information
- Index