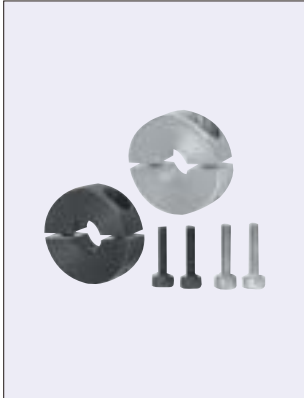


Shaft Collars –Split–

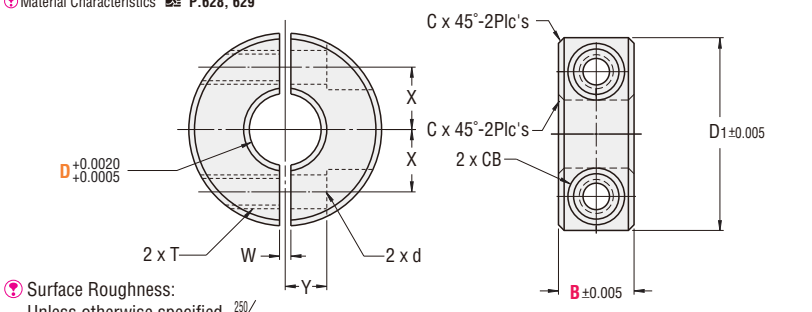
The Split Shaft Collars can be installed or removed from shafts quickly by unscrewing the two bolts, eliminating the need for removing the shafts from the machine. Choose from steel, stainless steel and aluminum.

Price Revision
 New Price



Material	Surface Treatment	Included Hardware & Material	Type
1045 Steel	Black Oxide	Steel S.H.C.S. (2 Pieces)	U-SCSP
	Electroless Nickel Plating		U-PSCSP
304 Stainless Steel	-	Stainless Steel S.H.C.S. (2 Pieces)	U-SSCSP
316 Stainless Steel	-		U-SCSPS
6061-T6 Aluminum	Clear Anodizing		U-SCNPA

Material Characteristics **P.628, 629**



General Tolerance
 Unless otherwise specified use the table below.

From	To	Tolerance
0.000	5.000	+0.01
5.001	16.000	+0.02
16.001	60.000	+0.05

Surface Roughness: Unless otherwise specified $R_{a} 250$

Thread or hole location tolerance: +0.005* non-cumulative.

Type	Part No.			B		\$ Unit Price (Qty. 1-9)				
	Callout	Nominal	Actual	Callout	Actual	U-SCSP	U-PSCSP	U-SSCSP	U-SCSPS	U-SCNPA
U-SCSP U-PSCSP U-SSCSP U-SCSPS U-SCNPA	0.13	1/8	0.1250	0.25	0.250	5.30	5.60	6.30	6.30	5.40
	0.19	3/16	0.1875	0.31	0.313	4.40	4.90	6.00	6.00	4.90
	0.25	1/4	0.2500	0.31	0.313	3.50	4.00	6.50	6.50	4.60
	0.38	3/8	0.3750	0.38	0.375	3.60	4.50	7.00	7.00	5.50
	0.50	1/2	0.5000	0.44	0.438	3.90	5.00	8.80	8.80	4.40
	0.63	5/8	0.6250	0.44	0.438	4.30	5.90	10.90	10.90	6.00
	0.75	3/4	0.7500	0.50	0.500	4.90	6.50	12.10	12.10	5.60
	1.00	1"	1.0000	0.50	0.500	4.80	7.50	13.60	13.60	5.90
	1.25	1-1/4	1.2500	0.50	0.500	6.10	9.10	17.90	17.90	7.10
	1.50	1-1/2	1.5000	0.56	0.563	7.50	10.50	23.50	23.50	10.80

Order Example

Part No. — **B**

Type **D**

U-SCSP 0.25 — B 0.31

Technical Information

D	D1	T (Thread)		d	CB	W	X	Y	C
		Size	Major Dia.						
0.13	0.500	#4-40	0.112	0.118	0.188	0.040	0.154	0.069	0.020
0.19	0.625	#4-40	0.112	0.125	0.219	0.040	0.202	0.089	0.020
0.25	0.688	#4-40	0.112	0.125	0.219	0.040	0.234	0.100	0.020
0.38	0.875	#6-32	0.138	0.154	0.281	0.060	0.313	0.141	0.020
0.50	1.125	#8-32	0.164	0.180	0.312	0.060	0.406	0.141	0.020
0.63	1.313	#10-32	0.190	0.206	0.375	0.060	0.484	0.203	0.020
0.75	1.500	#10-32	0.190	0.206	0.375	0.060	0.563	0.203	0.020
1.00	1.750	1/4-28	0.250	0.265	0.438	0.080	0.678	0.281	0.040
1.25	2.063	1/4-28	0.250	0.265	0.438	0.080	0.828	0.313	0.040
1.50	2.375	1/4-28	0.250	0.265	0.438	0.080	0.968	0.344	0.040

Please use the product in its setting and combination as delivered.

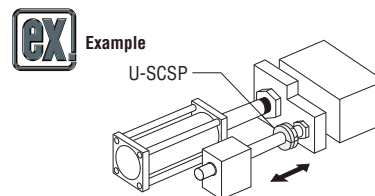
Days to Ship **1** Day

Price

Quantity Discount Rate

Quantity	1-9	10-29	30-49	50-
Rate	—	2%	3%	5%


For larger quantity orders "Days to Ship" may differ from published catalog term. **P.29**



Shaft Collars –One Touch–

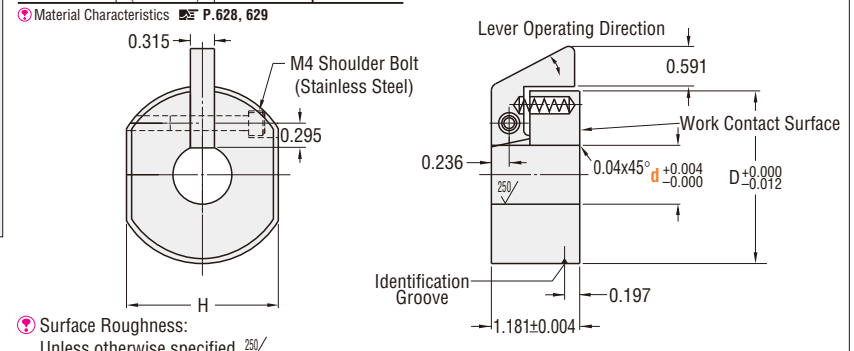
The unique One Touch Shaft Collars are actuated by a flip of the lever to open or close, making it ideal for roll/spool changes, or other designs requiring quick field serviceability.

One Touch



Component	Material	Surface Treatment	Type
Collar	2017 Aluminum	Clear Anodizing	U-WSC
Lever	1045 Steel	45HRC	
Spring	Spring Steel (ASTM A228)	-	

Material Characteristics **P.628, 629**



General Tolerance
 Unless otherwise specified use the table below.

From	To	Tolerance
0.000	5.000	+0.01
5.001	16.000	+0.02
16.001	60.000	+0.05

Surface Roughness: Unless otherwise specified $R_{a} 250$

Thread or hole location tolerance: +0.005* non-cumulative.

Type	Part No.			D	H	\$ Unit Price
	Callout	Nominal	Actual			
U-WSC	0.50	1/2	0.5000	2.075	1.654	28.00
	1.00	1"	1.0000	2.575	2.181	35.00
						Qty. 1-9

Order Example

Part No. **U-WSC 1.00**

Days to Ship **1** Day

Price

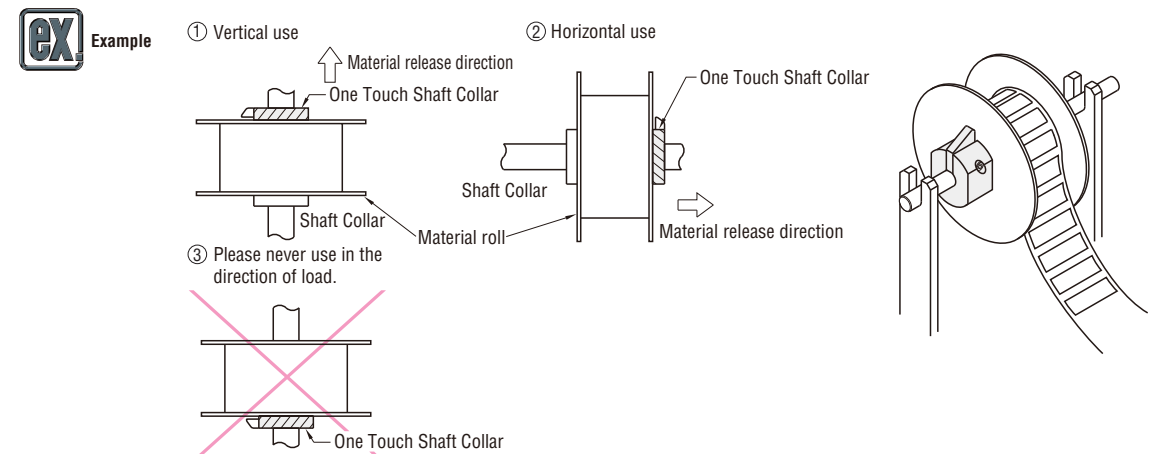
Quantity Discount Rate

Quantity	1-9	10-29	30-49	50-
Rate	—	2%	3%	5%

For larger quantity orders "Days to Ship" may differ from published catalog term. **P.29**

Features

- The lever in the collar is always pressing on the shaft by the spring force.
- Easily released by pressing the lever down with your finger.
- Unlike fastening it with set screws, surface machining on the shaft is not necessary and damage caused by the set screw is eliminated.
- If it is installed and removed frequently, work time can be shortened.
- It is convenient to press down rolled materials such as paper, film, or metal. For nonload bearing use only.



Express Options
P.30

MISUMI
 www.misumiusa.com E-mail: inquire@misumiusa.com

TEL.1-847-843-9105 FAX.1-847-843-9107 TOLL FREE TEL.1-800-681-7475 TOLL FREE FAX.1-800-681-7402

