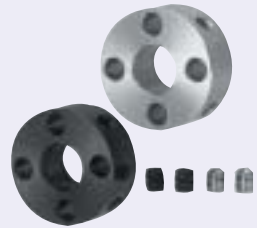


# Shaft Collars –Set Screw, with Four Side Mounting Holes–

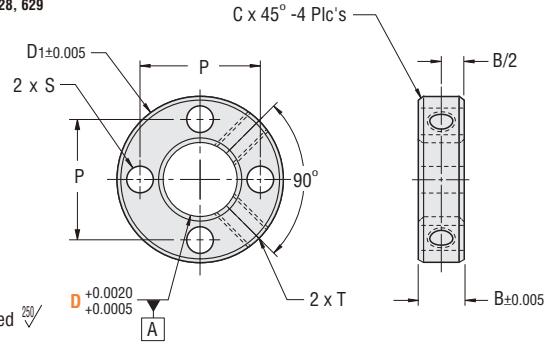
The collars are usually used with shafts in rotary or linear applications. Their advantage is a capability of mounting miscellaneous components directly to the face of the collar. They are fairly small profile and are available in carbon and stainless steel.

## Four Side Mounting Holes



Material	Surface Treatment	Included Hardware & Material	Type
1045 Steel	Black Oxide	Steel Set Screw (2 pieces)	U-SCMN
	Electroless Nickel Plating	Stainless Steel Set Screw (2 pieces)	U-PSCMN
304 Stainless Steel	-	Stainless Steel Set Screw (2 pieces)	U-SSCMN

Material Characteristics **P.628, 629**



**General Tolerance**  
Unless otherwise specified use the table below.

From	To	Tolerance
0.000	5.000	±0.01
5.001	16.000	±0.02
16.001	60.000	±0.05

Thread or hole location tolerance: ±0.005' non-cumulative.

- The 0.13 size collar has only one set screw hole.
- Surface Roughness: Unless otherwise specified  $R_{a} 250$

Type	Part No.			\$ Unit Price (Qty. 1-9)		
	Callout	Nominal	Actual	U-SCMN	U-PSCMN	U-SSCMN
U-SCMN U-PSCMN U-SSCMN	0.13	1/8	0.1250	2.10	2.40	3.40
	0.19	3/16	0.1875	2.20	2.90	3.70
	0.25	1/4	0.2500	2.20	2.90	3.70
	0.38	3/8	0.3750	2.50	3.10	4.10
	0.50	1/2	0.5000	3.80	5.00	5.90
	0.63	5/8	0.6250	4.20	5.30	6.50
	0.75	3/4	0.7500	4.30	5.60	11.20
	1.00	1"	1.0000	6.00	7.60	11.40
	1.25	1-1/4	1.2500	6.80	9.10	14.30
	1.50	1-1/2	1.5000	13.10	16.90	29.40

## Order Example

Part No.

Type  D

U-SCMN 0.50

## Technical Information

D	D1	T (Thread)		B	P	S	C
		Size	Major Dia.				
0.13	0.469	#4-40	0.112	0.188	0.313	0.094	0.010
0.19	0.562	#5-40	0.125	0.205	0.375	0.094	0.010
0.25	0.688	#6-32	0.138	0.281	0.468	0.125	0.010
0.38	0.875	#8-32	0.164	0.313	0.625	0.154	0.010
0.50	1.125	#10-32	0.190	0.313	0.813	0.180	0.010
0.63	1.375	1/4-28	0.250	0.375	1.000	0.206	0.010
0.75	1.625	5/16-18	0.313	0.375	1.188	0.281	0.010
1.00	2.000	5/16-18	0.313	0.438	1.500	0.344	0.015
1.25	2.500	3/8-16	0.375	0.500	1.875	0.406	0.015
1.50	2.750	3/8-16	0.375	0.500	2.125	0.406	0.015

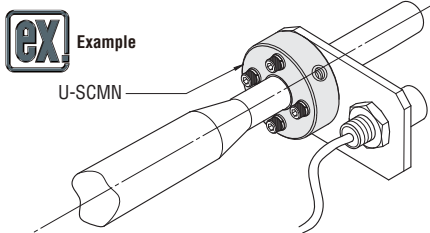
Days to Ship **1** Day

Price

**Quantity Discount Rate**

Quantity	1-9	10-29	30-49	50~
Rate	—	2%	3%	5%

For larger quantity orders "Days to Ship" may differ from published catalog term. **P.29**



# Shaft Collars –Set Screw, Bearing Fixing–

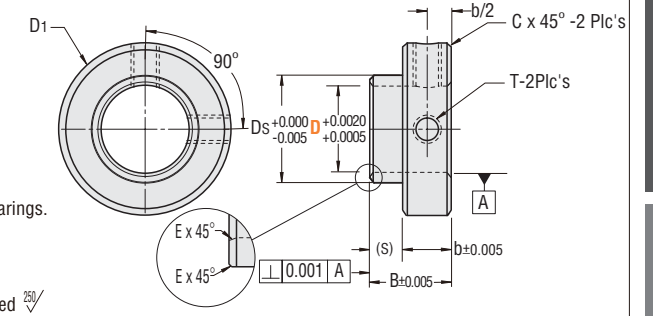
The Collars are usually used with shafts in rotary or linear applications. All of the collar flanges are designed to properly fit the inner race of the bearing. Available in 1045 steel and 304 stainless steel. The set screws are included.

## Bearing Fixing



Material	Surface Treatment	Included Hardware & Material	Type
1045 Steel	Black Oxide	Steel Set Screw (2 pieces)	U-SCSBS
	Electroless Nickel Plating	Stainless Steel Set Screw (2 pieces)	U-PSCSBS
304 Stainless Steel	-	Stainless Steel Set Screw (2 pieces)	U-SSCSBS

Material Characteristics **P.628, 629**



**General Tolerance**  
Unless otherwise specified use the table below.

From	To	Tolerance
0.000	5.000	±0.01
5.001	16.000	±0.02
16.001	60.000	±0.05

Thread or hole location tolerance: ±0.005' non-cumulative.

- Dimension "Ds" is designed to fit the inner race of standard inch bearings.
- The 0.13 size collar has only one set screw hole.
- Surface Roughness: Unless otherwise specified  $R_{a} 250$

Type	Part No.			\$ Unit Price (Qty. 1-9)		
	Callout	Nominal	Actual	U-SCSBS	U-PSCSBS	U-SSCSBS
U-SCSBS U-PSCSBS U-SSCSBS	0.13	1/8	0.1250	2.40	3.20	4.20
	0.19	3/16	0.1875	3.50	4.30	5.60
	0.25	1/4	0.2500	3.50	4.30	5.60
	0.38	3/8	0.3750	4.30	5.30	6.90
	0.50	1/2	0.5000	4.60	5.60	5.00
	0.63	5/8	0.6250	5.10	6.30	6.20
	0.75	3/4	0.7500	6.00	7.40	7.00
	1.00	1"	1.0000	7.80	9.60	8.50
	1.25	1-1/4	1.2500	10.50	12.50	10.10
	1.50	1-1/2	1.5000	13.50	16.00	12.30

## Order Example

Part No.

Type  D

U-SCSBS 0.50

## Technical Information

D	D1	B	T (Thread)		b	Ds	(S)	E(max)	C	Compatible Bearings
			Size	Major Dia.						
0.13	0.375	0.282	#4-40	0.112	0.188	0.208	0.094	0.005	0.010	R2A
0.19	0.438	0.309	#6-32	0.138	0.205	0.281	0.104	0.005	0.010	R3
0.25	0.500	0.406	#8-32	0.164	0.281	0.375	0.125	0.005	0.010	R4
0.38	0.750	0.469	#10-32	0.190	0.313	0.500	0.156	0.005	0.010	R6
0.50	1.000	0.501	#10-32	0.190	0.313	0.625	0.188	0.005	0.010	R8
0.63	1.125	0.596	5/16-18	0.313	0.375	0.875	0.221	0.005	0.010	R10
0.75	1.250	0.625	5/16-18	0.313	0.375	1.000	0.250	0.005	0.010	R12
1.00	1.625	0.719	5/16-18	0.313	0.438	1.313	0.281	0.010	0.020	R16
1.25	1.875	0.786	3/8-16	0.375	0.500	1.562	0.296	0.010	0.020	R20
1.50	2.250	0.844	3/8-16	0.375	0.500	1.875	0.344	0.010	0.020	R24

Days to Ship **1** Day

Price

**Quantity Discount Rate**

Quantity	1-9	10-29	30-49	50~
Rate	—	2%	3%	5%

For larger quantity orders "Days to Ship" may differ from published catalog term. **P.29**

