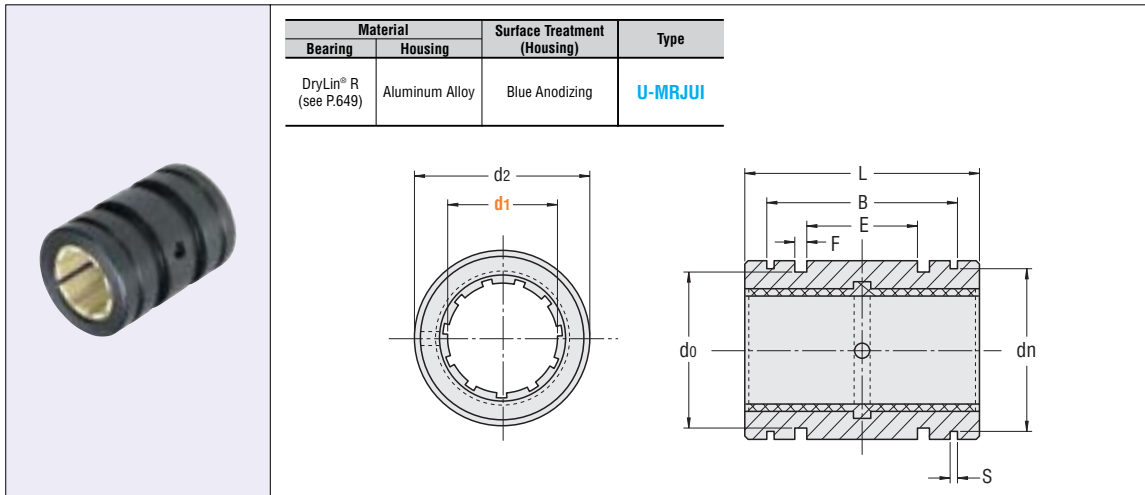


DryLin® Straight Linear Plain Bearings



The Straight Linear Plain Bearings house DryLin® R Liners, and are designed to work with all MISUMI linear shafts including chrome plated shafts. Please refer to P.649 for more information on DryLin® R Liners. The plain bearings can be used in linear, rotary, and oscillating applications.



Material		Surface Treatment (Housing)	Type
Bearing	Housing		
DryLin® R (see P.649)	Aluminum Alloy	Blue Anodizing	U-MRJUI

Type	Part No.			d2		L		\$ Unit Price Qty. 1-9		
	Callout	Nominal	Tolerance	Nominal	Tolerance	Tolerance				
U-MRJUI	04	1/4	0.2516	0.2532	1/2	0.4921	0.4914	0.750	0.747	8.10
	06	3/8	0.3766	0.3782	5/8	0.6173	0.6166	0.870	0.867	9.00
	08	1/2	0.5016	0.5032	7/8	0.8673	0.8665	1.250	1.246	9.60
	10	5/8	0.6266	0.6282	1-1/8	1.1173	1.1165	1.500	1.496	9.90
	12	3/4	0.7516	0.7532	1-1/4	1.2421	1.2411	1.620	1.616	10.80
	16	1"	1.0016	1.0032	1-9/16	1.5547	1.5537	2.360	2.356	19.70
	24	1-1/2	1.5020	1.5041	2-3/8	2.3633	2.3621	3.000	2.996	38.50

Order Example The part number consists only of the fields with blue characters. Please refer to the table below for technical information.

Part No.

Type d1

U-MRJUI 08

Technical Information

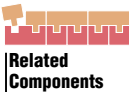
Callout	B	S	dn	E	F	do	Recommended Housing Bore Tolerance		Liner (P.111)		p max. Dynamic Load (lbs) p=725psi	p max. Static Load (lbs) p=5075psi
							Name	Part No.				
04	0.5271	0.041	0.467	0.125	0.080	0.399	0.5007	0.5000	iglide® J Plain Bearing	N/A	135	946
06	0.6519	0.041	0.587	0.243	0.061	0.566	0.6257	0.6250	DryLin® R Liner	U-MJUI06	118	828
08	0.9870	0.052	0.820	0.281	0.125	0.712	0.8758	0.8750	DryLin® R Liner	U-MJUI08	225	1575
10	1.1358	0.062	1.060	0.312	0.125	0.962	1.1258	1.1250	DryLin® R Liner	U-MJUI10	338	2365
12	1.1976	0.062	1.177	0.312	0.125	1.087	1.2510	1.2500	DryLin® R Liner	U-MJUI12	439	3077
16	1.7885	0.074	1.471	0.500	0.125	1.399	1.5630	1.5625	DryLin® R Liner	U-MJUI16	811	5678
24	2.0385	0.095	2.241	0.750	0.162	2.152	2.3760	2.3750	DryLin® R Liner	U-MJUI24	1622	11358

Days to Ship **1** Day

Price

Quantity	1-9	10-19	20-49	50~
Rate	—	2%	3%	5%

For larger quantity orders 'Days to Ship' may differ from published catalog term. P.29

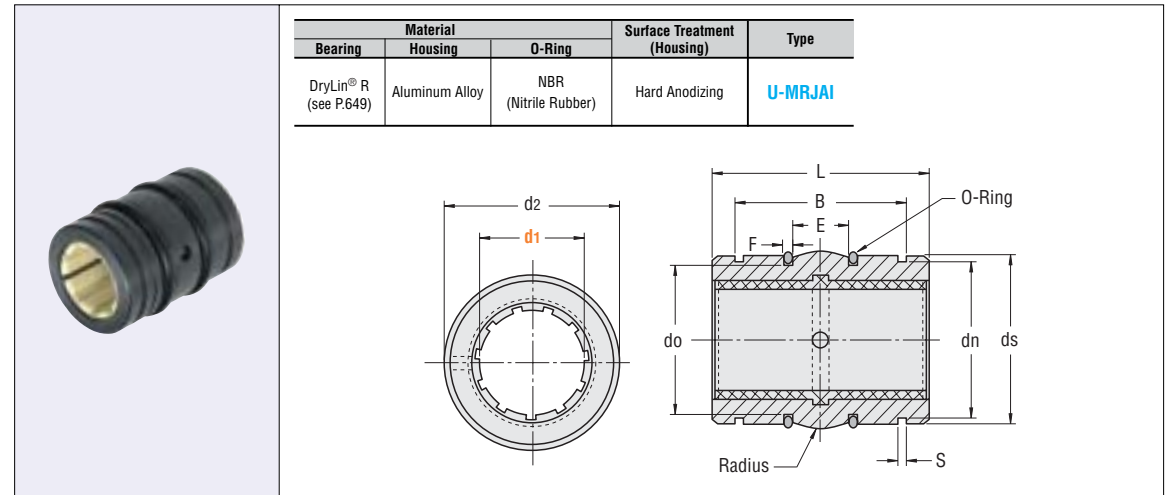


Linear Shafts
P.39

DryLin® Self-Aligning Linear Plain Bearings



The Self-Aligning Linear Plain Bearings house DryLin® R Liners, and are designed to work with all MISUMI linear shafts including chrome plated shafts. The self-aligning crown feature allows the bearing to re-align itself in binding situations. In order to compensate for parallelism errors between two shafts use a combination of straight bushing on one shaft and Self-aligning on the other. Please refer to P.649 for more information on DryLin® R Liners. The bearings can be used in linear, rotary, and oscillating applications.



Material		Surface Treatment (Housing)	Type
Bearing	Housing	O-Ring	
DryLin® R (see P.649)	Aluminum Alloy	NBR (Nitrile Rubber)	U-MRJAI

Type	Part No.			d2		L		\$ Unit Price Qty. 1-9		
	Callout	Nominal	Tolerance	Nominal	Tolerance	Tolerance				
U-MRJAI	04	1/4	0.2516	0.2532	1/2	0.4921	0.4911	0.746	0.743	8.10
	06	3/8	0.3766	0.3782	5/8	0.6173	0.6163	0.871	0.868	9.00
	08	1/2	0.5016	0.5032	7/8	0.8673	0.8661	1.246	1.242	9.60
	10	5/8	0.6266	0.6282	1-1/8	1.1173	1.1161	1.496	1.492	9.90
	12	3/4	0.7516	0.7532	1-1/4	1.2421	1.2405	1.617	1.613	10.80
	16	1"	1.0016	1.0032	1-9/16	1.5547	1.5531	2.242	2.238	19.70
	24	1-1/2	1.5020	1.5041	2-3/8	2.3633	2.3615	2.992	2.988	38.50

Order Example The part number consists only of the fields with blue characters. Please refer to the table below for technical information.

Part No.

Type d1

U-MRJAI 10

Technical Information

Callout	B	S	ds	dn	E	F	do	Recommended Housing Bore Tolerance		Liner (P.111)		p max. Dynamic Load (lbs) p=725psi	p max. Static Load (lbs) p=5075psi	
								Name	Part No.					
04	0.527	0.041	0.4803	0.4660	0.4632	0.125	0.080	0.399	0.5007	0.5000	iglide® J Plain Bearing	N/A	135	946
06	0.652	0.041	0.6055	0.5870	0.5842	0.243	0.061	0.524	0.6257	0.6250	DryLin® R Liner	U-MJUI06	118	828
08	0.987	0.052	0.8556	0.8200	0.8165	0.282	0.125	0.712	0.8758	0.8750	DryLin® R Liner	U-MJUI08	225	1575
10	1.136	0.062	1.1055	1.0600	1.0565	0.313	0.125	0.962	1.1258	1.1250	DryLin® R Liner	U-MJUI10	338	2365
12	1.198	0.062	1.2300	1.1770	1.1735	0.313	0.125	1.087	1.2510	1.2500	DryLin® R Liner	U-MJUI12	439	3077
16	1.789	0.074	1.5271	1.4710	1.4670	0.500	0.125	1.399	1.5630	1.5625	DryLin® R Liner	U-MJUI16	811	5678
24	2.463	0.095	2.3358	2.2410	2.2365	0.750	0.162	2.152	2.3760	2.3750	DryLin® R Liner	U-MJUI24	1622	11358

Days to Ship **1** Day

Price

Quantity	1-9	10-19	20-49	50~
Rate	—	2%	3%	5%

For larger quantity orders 'Days to Ship' may differ from published catalog term. P.29



Express Options
P.30



MISUMI
www.misumiusa.com E-mail: inquire@misumiusa.com

TEL.1-847-843-9105 FAX.1-847-843-9107 TOLL FREE TEL.1-800-681-7475 TOLL FREE FAX.1-800-681-7402