


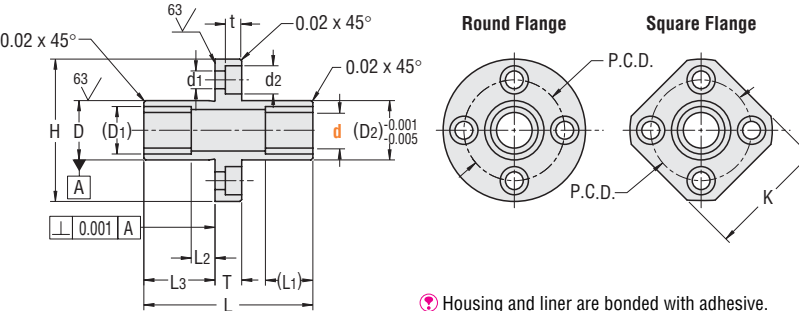
Flanged Bushings (Simplicity® Liner) –Center Flange–

The Flanged Bushings are available in 6061-T6 anodized aluminum and lined with Pacific Bearing® Frelon Gold® Liner. Choose from a variety of flange configurations. The pilot feature allows you to precisely mount the bushing inside the carriage block and extends the sliding area. The bushings can be used in linear, rotary, and oscillating applications. They can not be used with chrome plated shafts.



Housing		Liner	Flange	Type
Material	Surface Treatment			
6061-T6 Aluminum	Clear Anodizing	Frelon Gold® (see P.645)	Round Square	U-PFNR U-PFNS

Material Characteristics P.629



Round Flange Square Flange

General Tolerance
Unless otherwise specified use the table below.

From	To	Tolerance
0.000	5.000	±0.01
5.001	16.000	±0.02
16.001	60.000	±0.05

Thread or hole location tolerance: ±0.005' non-cumulative.

- Housing and liner are bonded with adhesive.
- This product is not compatible with chrome plated shafts.
- Surface Roughness: Unless otherwise specified 250

Type	Part No.				D		L2 (Precise D) Section*	L		\$ Unit Price (Qty. 1-9)		
	d				Nominal	Tolerance		Length	Tol.	U-PFNR	U-PFNS	
	Callout	Nominal	Tolerance									
U-PFNR U-PFNS	0.25	1/4	0.2525	0.2515	1/2	0.5000	0.4993	0.188	1.250	±0.005	42.40	46.70
	0.38	3/8	0.3775	0.3765	5/8	0.6250	0.6243	0.250	1.781	±0.005	49.20	54.60
	0.50	1/2	0.5025	0.5015	7/8	0.8750	0.8742	0.250	2.375	±0.010	53.00	60.00
	0.63	5/8	0.6275	0.6265	1-1/8	1.1250	1.1242	0.250	2.813	±0.010	56.80	65.00
	0.75	3/4	0.7525	0.7515	1-1/4	1.2500	1.2490	0.313	3.094	±0.012	68.00	72.80
	1.00	1"	1.0025	1.0015	1-9/16	1.5625	1.5615	0.375	4.125	±0.012	100.90	107.20

Order Example The part number consists only of the fields with blue characters. Please refer to the table below for technical information. *The rest of D area is undersized.

Part No.

Type d

U-PFNR 0.25

Technical Information


d	L3	H	T	d1	d2	t	Compatible Bolt	P.C.D.	K	(D1)	(D2)	(L1)	Part Number of Liner
0.25	0.500	1.25	0.250	0.156	0.250	0.141	#6	0.875	1.000	0.375	0.500	0.500	U-PBPS0.25-L0.25
0.38	0.750	1.50	0.281	0.188	0.297	0.172	#8	1.063	1.250	0.500	0.625	0.500	U-PBPT0.38-L0.50
0.50	1.047	1.75	0.281	0.188	0.297	0.172	#8	1.313	1.375	0.688	0.875	0.750	U-PBPT0.50-L0.75
0.63	1.266	2.00	0.281	0.188	0.297	0.172	#8	1.563	1.500	0.875	1.125	1.000	U-PBPS0.63-L1.00
0.75	1.375	2.19	0.344	0.219	0.344	0.203	#10	1.719	1.688	0.938	1.250	1.000	U-PBPT0.75-L1.00
1.00	1.891	2.50	0.344	0.219	0.344	0.203	#10	2.031	2.000	1.188	1.563	1.500	U-PBPT1.00-L1.50

Days to Ship **1** Day

Quantity Discount Rate

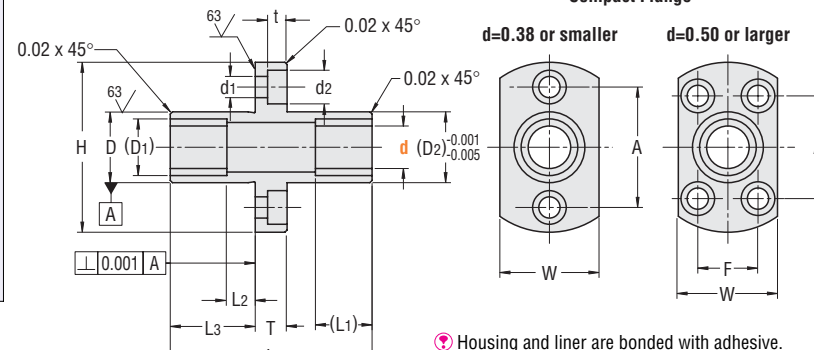
Quantity	1-9	10-19	20-49	50~
Rate	—	2%	3%	5%

For larger quantity orders "Days to Ship" may differ from published catalog term. P.29



Housing		Liner	Flange	Type
Material	Surface Treatment			
6061-T6 Aluminum	Clear Anodizing	Frelon Gold® (see P.645)	Compact	U-PFNC

Material Characteristics P.629



Compact Flange

General Tolerance
Unless otherwise specified use the table below.

From	To	Tolerance
0.000	5.000	±0.01
5.001	16.000	±0.02
16.001	60.000	±0.05

Thread or hole location tolerance: ±0.005' non-cumulative.

- Housing and liner are bonded with adhesive.
- This product is not compatible with chrome plated shafts.
- Surface Roughness: Unless otherwise specified 250

Type	Part No.				D		L2 (Precise D) Section*	L		\$ Unit Price (Qty. 1-9)	
	d				Nominal	Tolerance		Length	Tol.	U-PFNC	
	Callout	Nominal	Tolerance								
U-PFNC	0.25	1/4	0.2525	0.2515	1/2	0.5000	0.4993	0.188	1.250	±0.005	44.60
	0.38	3/8	0.3775	0.3765	5/8	0.6250	0.6243	0.250	1.781	±0.005	52.20
	0.50	1/2	0.5025	0.5015	7/8	0.8750	0.8742	0.250	2.375	±0.010	57.10
	0.63	5/8	0.6275	0.6265	1-1/8	1.1250	1.1242	0.250	2.813	±0.010	63.00
	0.75	3/4	0.7525	0.7515	1-1/4	1.2500	1.2490	0.313	3.094	±0.012	70.80
	1.00	1"	1.0025	1.0015	1-9/16	1.5625	1.5615	0.375	4.125	±0.012	105.00

Order Example The part number consists only of the fields with blue characters. Please refer to the table below for technical information. *The rest of D area is undersized.

Part No.

Type d

U-PFNC 0.50

Technical Information

d	L3	H	T	d1	d2	t	Compatible Bolt	P.C.D.	W	F	A	(D1)	(D2)	(L1)	Part Number of Liner
0.25	0.500	1.25	0.250	0.156	0.250	0.141	#6	0.875	0.750	-	0.875	0.375	0.500	0.500	U-PBPS0.25-L0.25
0.38	0.750	1.50	0.281	0.188	0.297	0.172	#8	1.063	0.875	-	1.063	0.500	0.625	0.500	U-PBPT0.38-L0.50
0.50	1.047	1.75	0.281	0.188	0.297	0.172	#8	1.313	1.125	0.688	1.125	0.688	0.875	0.750	U-PBPT0.50-L0.75
0.63	1.266	2.00	0.281	0.188	0.297	0.172	#8	1.563	1.375	0.938	1.250	0.875	1.125	1.000	U-PBPS0.63-L1.00
0.75	1.375	2.19	0.344	0.219	0.344	0.203	#10	1.719	1.500	1.000	1.375	0.938	1.250	1.000	U-PBPT0.75-L1.00
1.00	1.891	2.50	0.344	0.219	0.344	0.203	#10	2.031	1.875	1.313	1.563	1.188	1.563	1.500	U-PBPT1.00-L1.50

Days to Ship **1** Day

Quantity Discount Rate

Quantity	1-9	10-19	20-49	50~
Rate	—	2%	3%	5%

For larger quantity orders "Days to Ship" may differ from published catalog term. P.29

